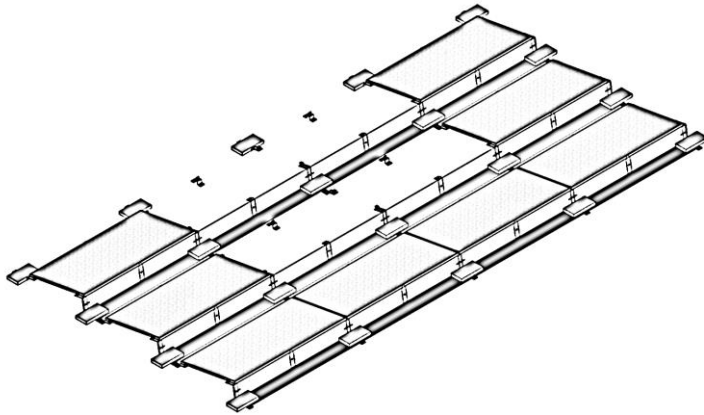


AXe | STRUCT



AXE^{RT}

Roof Top – Ballast Railless

Durable

Aluminium brackets with stainless steel fittings for the toughest environmental conditions.

Trust

Conservative coefficient selections in structural design to assure resistance to failure.

Economical

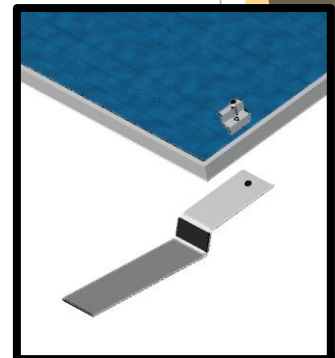
Cost competitive, functional design with minimal number of tools needed, reducing installation costs.

Effortless

Innovative design for time saving installation methods with a modular and practical integrated solution.

Application	Roof top	
Roof types	Flat concrete roof Consult for other roof types	
Module orientation	Landscape	
Inclination	10° or 15° angle	
Shading Angle	25° or preferred angle to optimise production	
Standards	SANS 10160	Structural design
	IEC 62548	PV arrays design requirements
Materials	Small parts	Stainless steel (A2) Available in Stainless steel (A4) Extruded aluminium (6063 T6) Bended aluminium (1200)
	Ballast blocks	Concrete (30 MPa)
	Wind deflector	Cold-rolled galvanised steel (Aluzinc)
Earth plates	PV module earth connections (On request)	
Manufactured	100% South African produce and fabricated	
Warranty	10 years ¹	

Clamp connection to already threaded Bracket



Wind deflector plate along with ballast blocks

