

Ridge Fix Bracket, Vertical

AXE_AL_BR_RF_V

Durable

Non-corrosive materials for the toughest environmental conditions. Strength and integrity testing done.

Innovative

Adjustable positioning for integration with angled solutions.

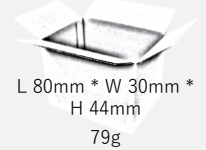
Versatile

Attach to wide variety of trapezoidal. Fixation of angled frames.

Effortless

Waterproofing strips integrated. Tapered screws to prevent damaging of roof sheets.

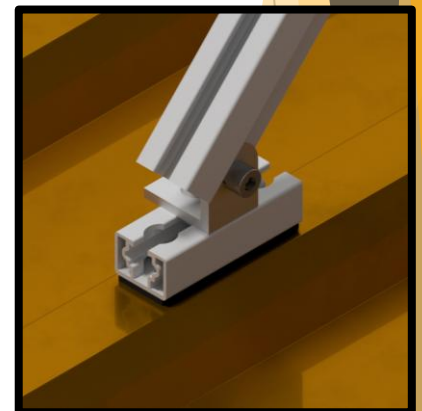
Dimensions



L 80mm * W 30mm *
H 44mm
79g

Application	Roof Top – Angled and Raised systems
Roof types	Trapezoidal (IBR) Consult for other roof manufacturers
Test protocol	Structural analysis to obtain reaction forces for each possible scenario. Pull tests on clamped bracket FEM analysis on part under load
Materials	<u>Fasteners:</u> Stainless Steel (A2) “Available in Stainless Steel (A4)” <u>Body:</u> Extruded aluminium (6063 T6) “Anodising available in 25µm layer” <u>Weatherproof strips:</u> SVA45 Expanded EVA foam
Certification	ISO 9001
Warranty	10 years ¹

Integration with angled system



¹ For terms and conditions please refer to the Axe Struct Warranty Terms.