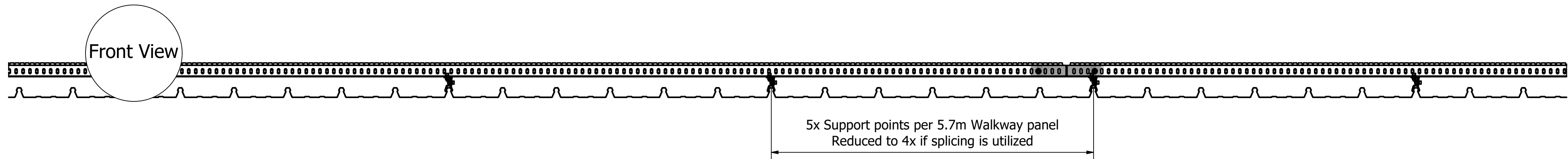
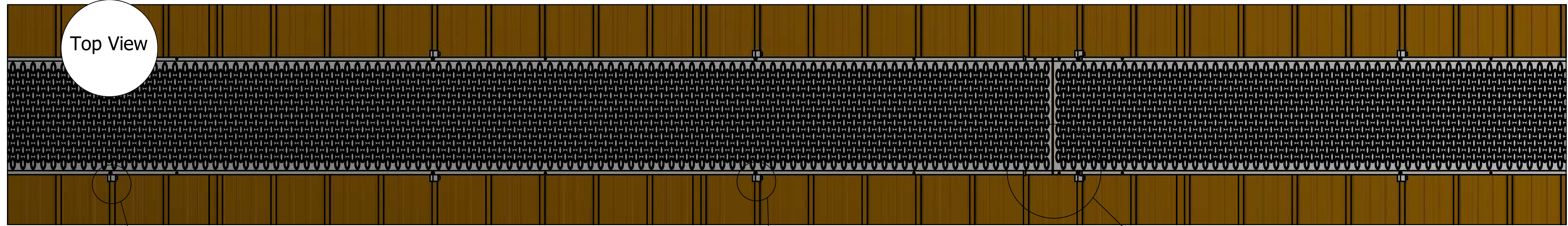


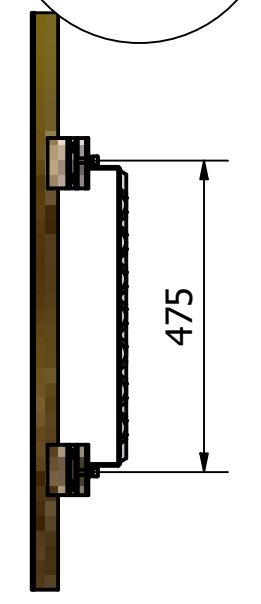
Front View



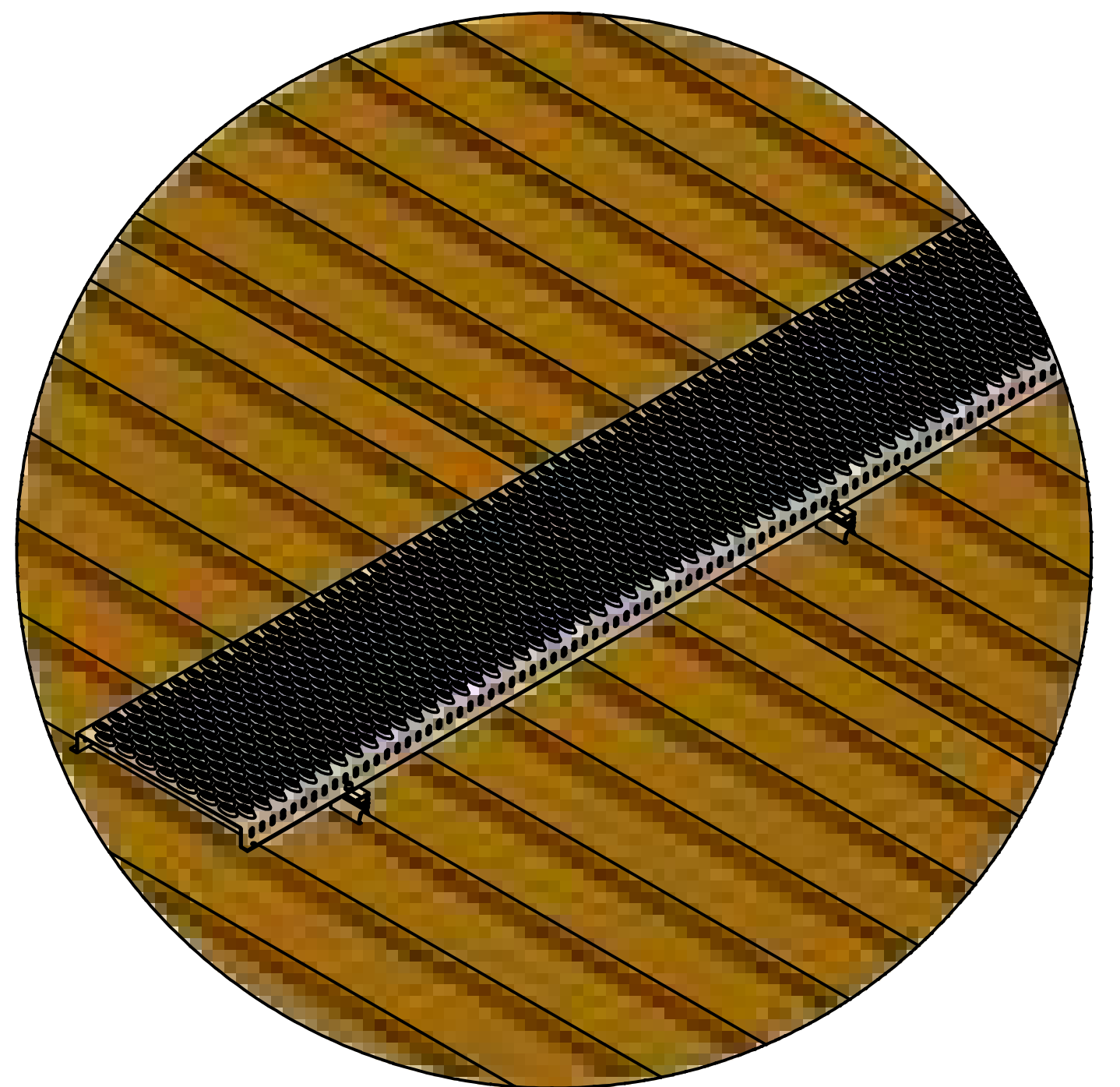
Top View



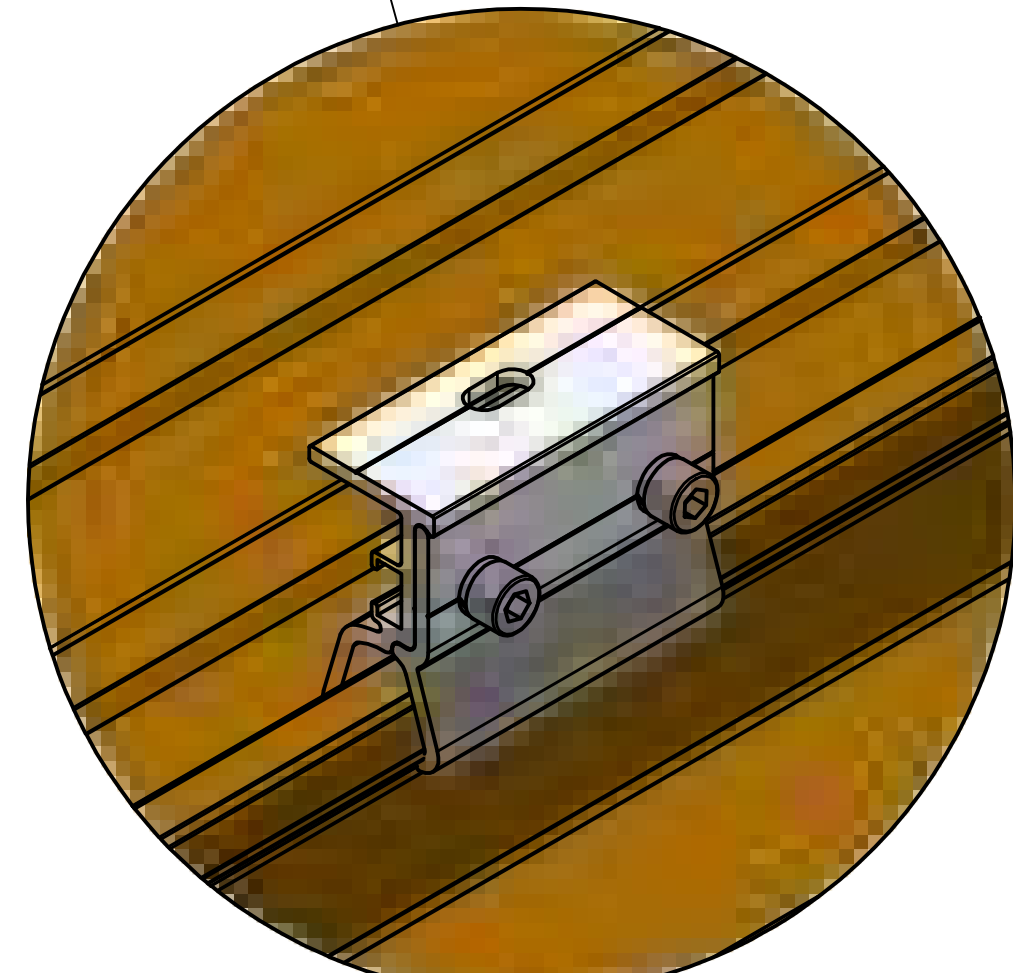
Side View



Overview

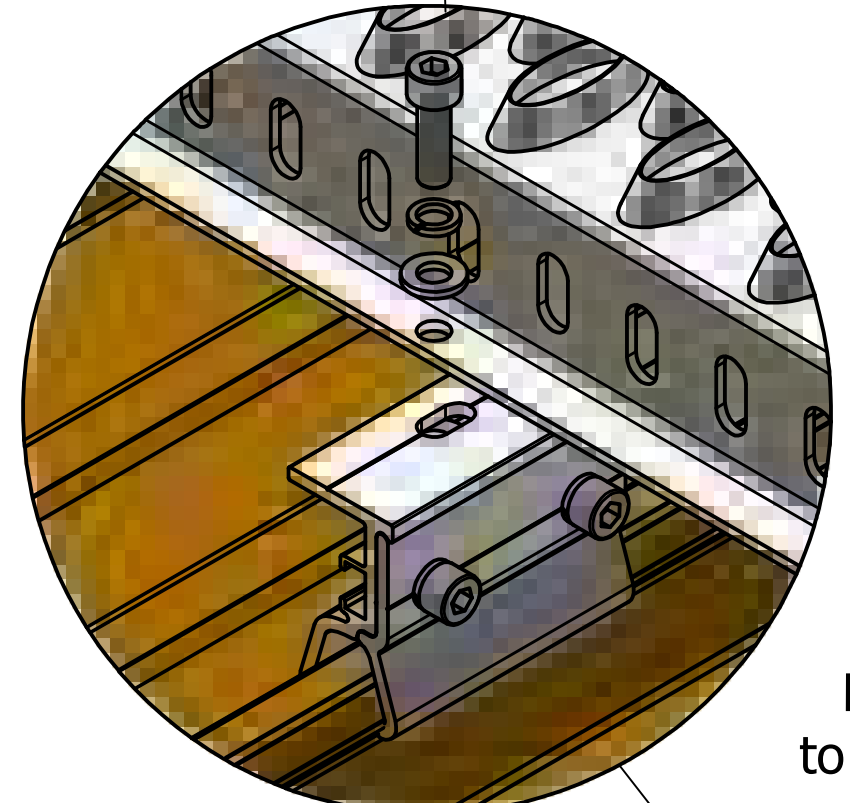


Roof bracket assembly



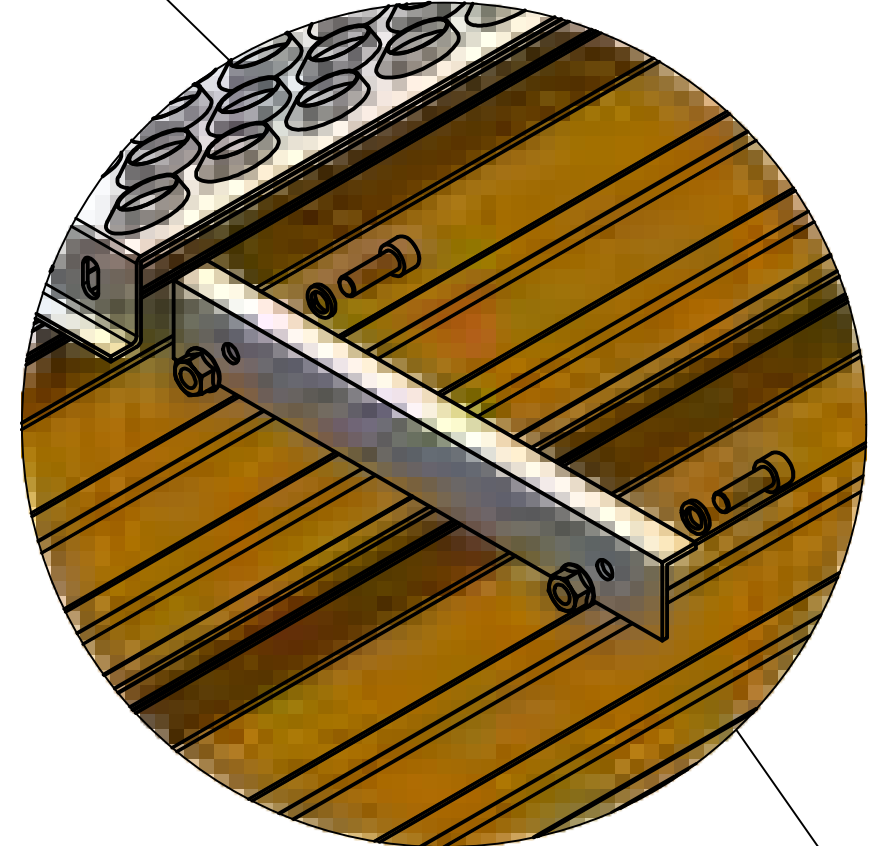
Torque bracket  
Hex-Cap  
Screws to 18 N.m

Grid - Bracket Connection

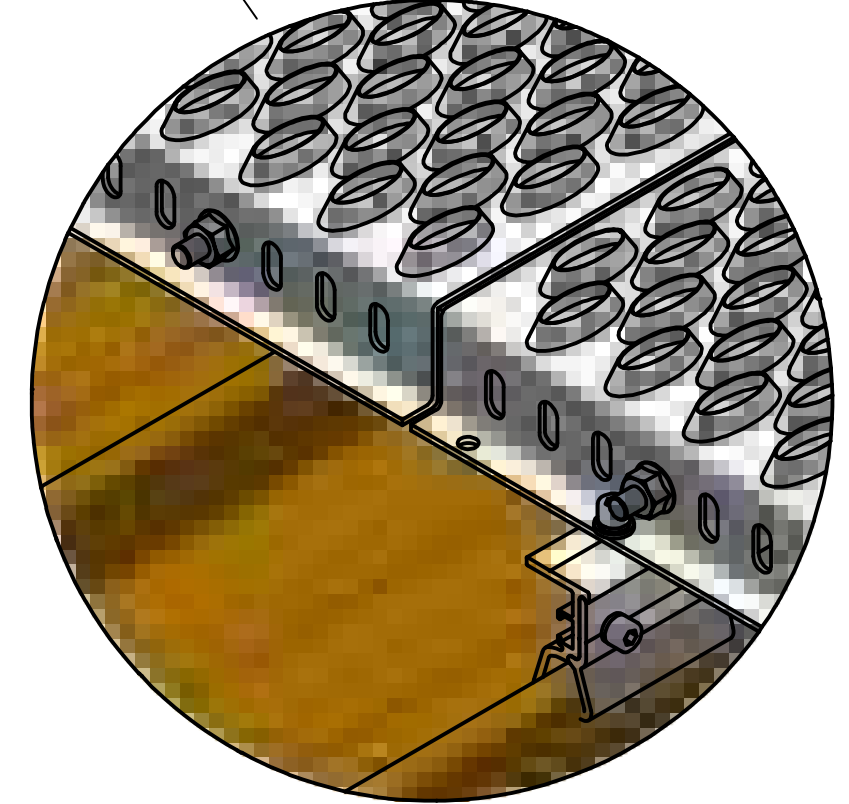


Hole in Grating  
to be drilled on-site

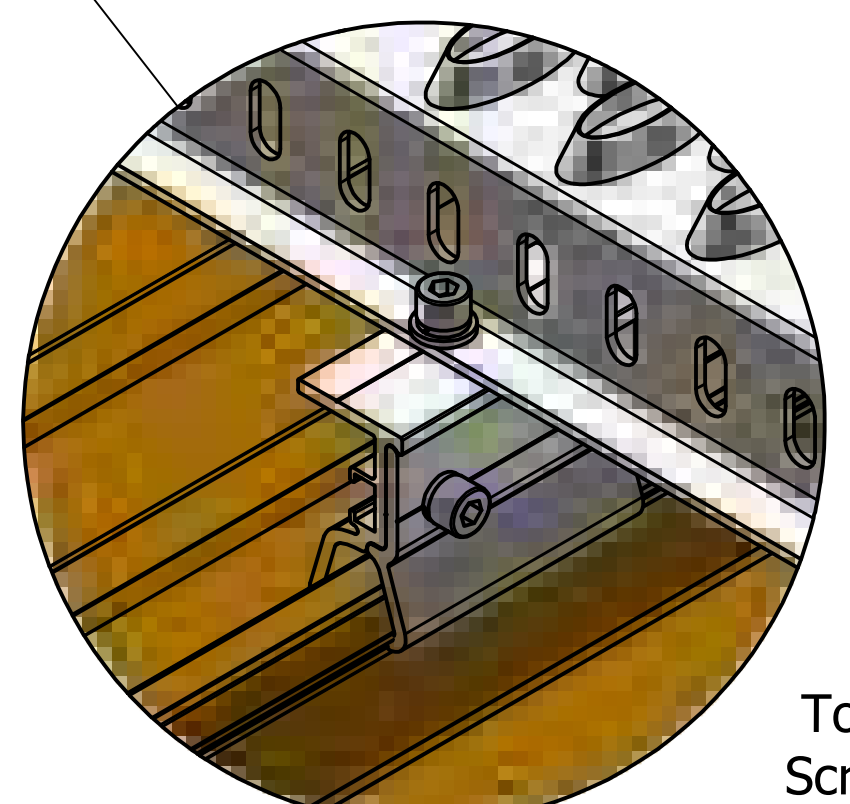
Splice Connection



Torque Angle Splice  
Hex-Cap  
Screw to 18 N.m



Torque Hex-Cap  
Screws to 18 N.m



AD_RT_WW_PERP	Assembly Details - Roof Top Walkway Perpendicular
C van Wyk	
Revision 1	
July 2022	