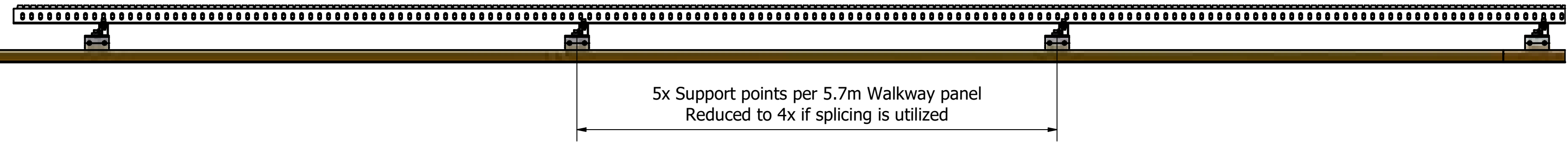
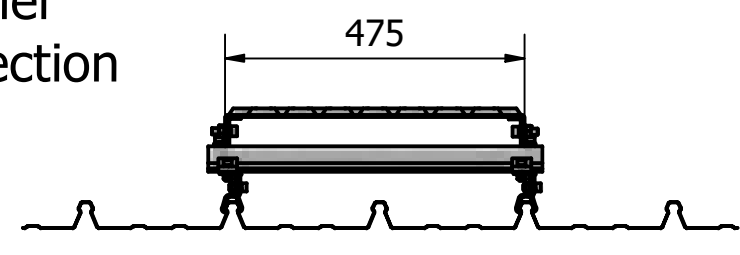


Front View

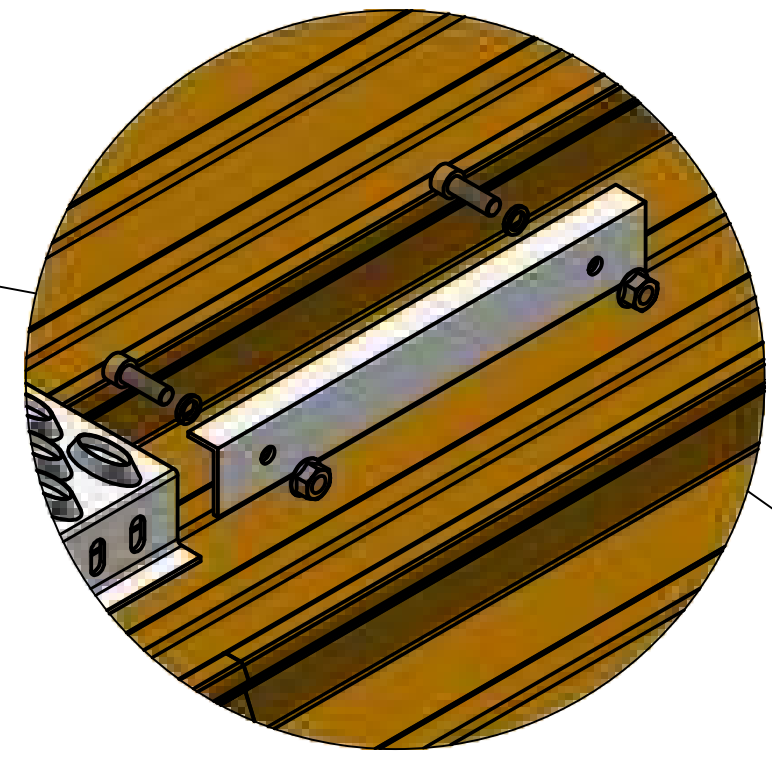
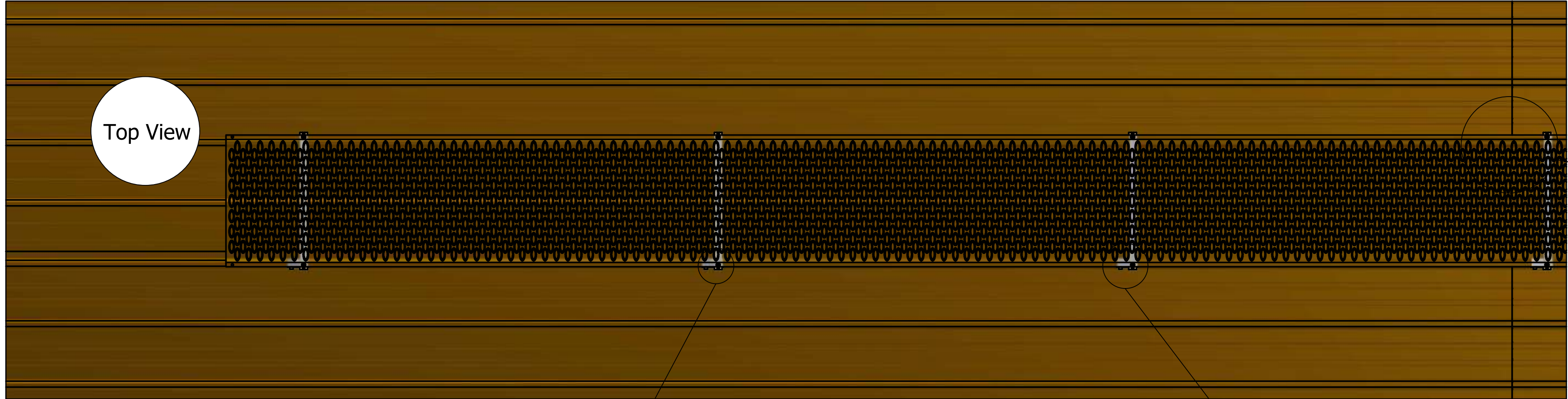


Parallel Cross-section



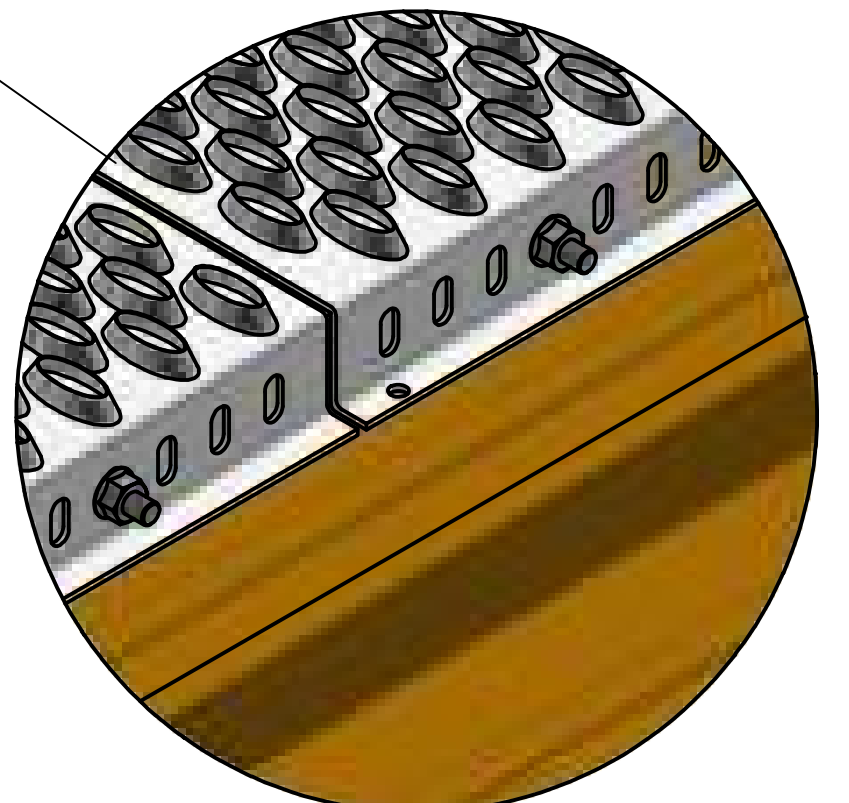
40mm Clearance difference between layouts

Top View

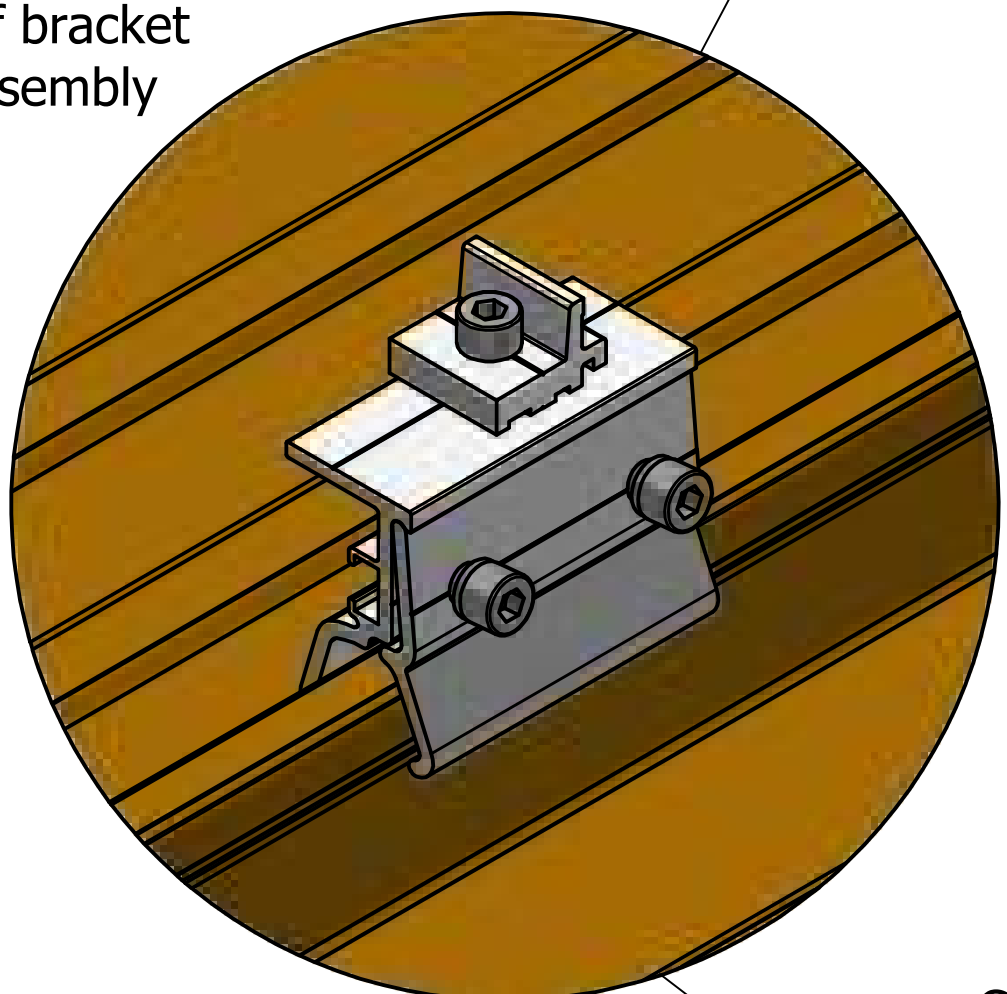


Splice Connection

Torque Angle Splice Hex-Cap Screw to 18 N.m

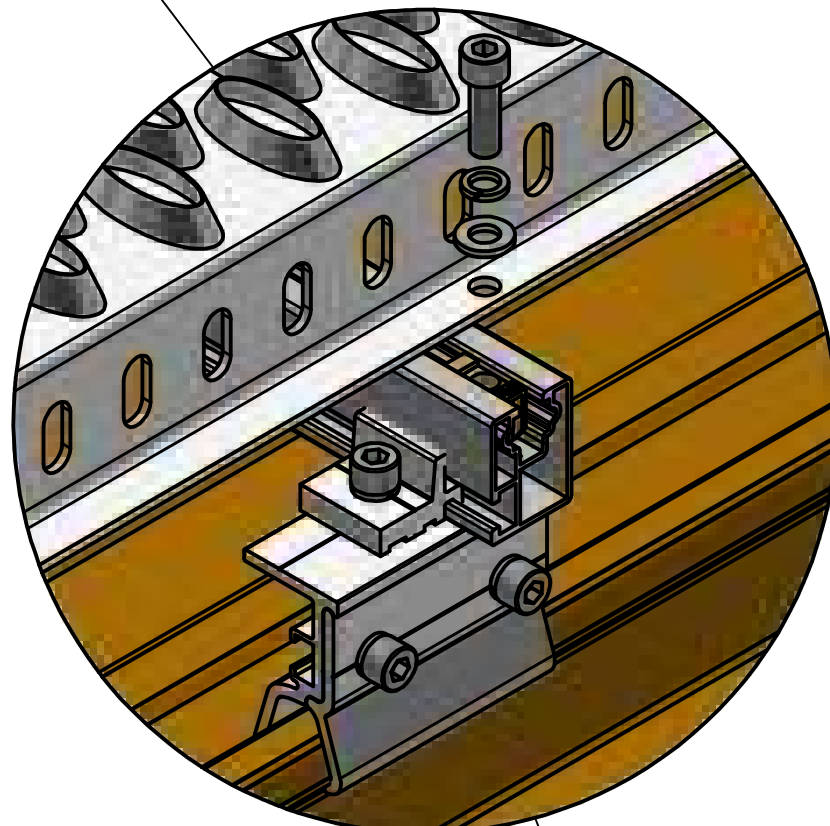


Roof bracket assembly



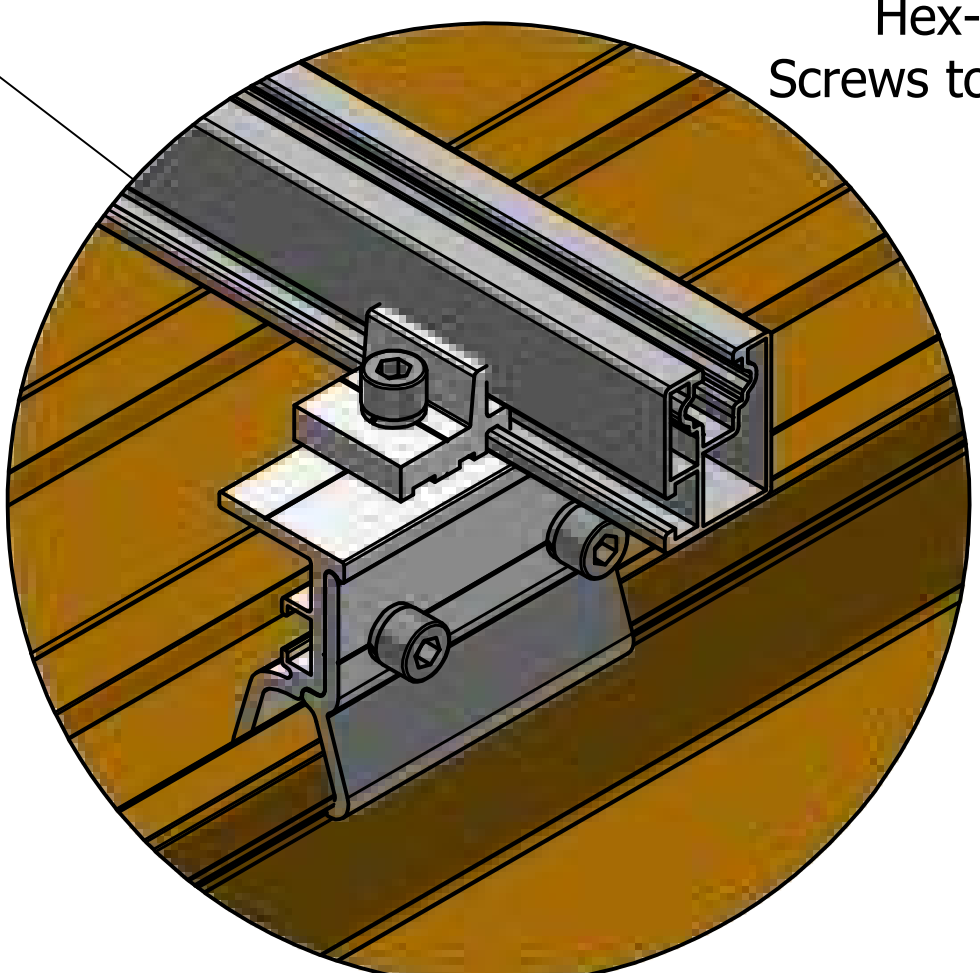
Torque bracket Hex-Cap Screws to 18 N.m

Grid - Rail Connection



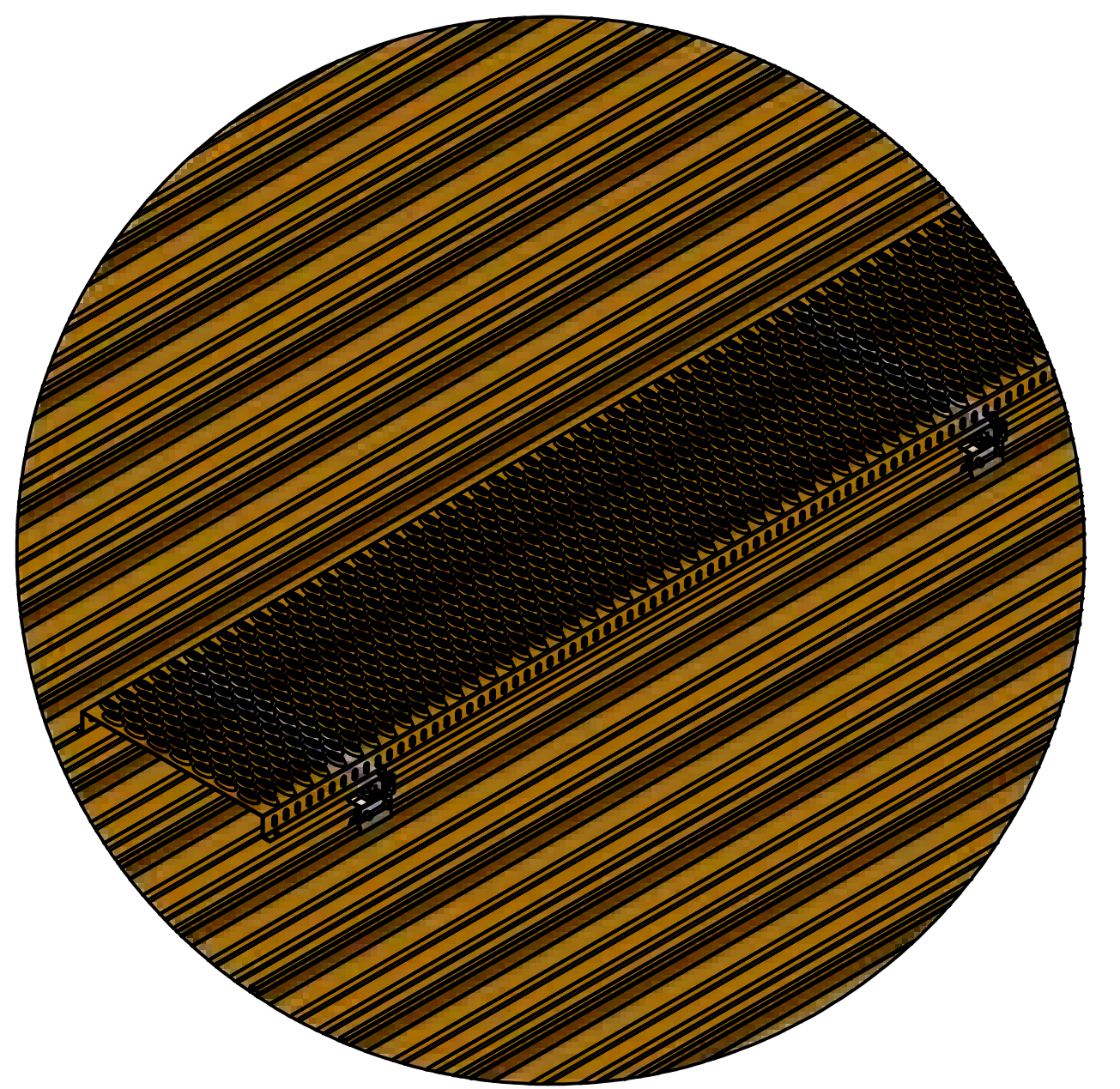
Hole in Grating to be drilled on-site

Rail Connection



Torque Rail Clip Hex-Cap Screws to 18 N.m

Overview



AD_RT_WW_PAR	Assembly Details - Roof Top Walkway Parallel
C van Wyk	
Revision 1	
July 2022	

