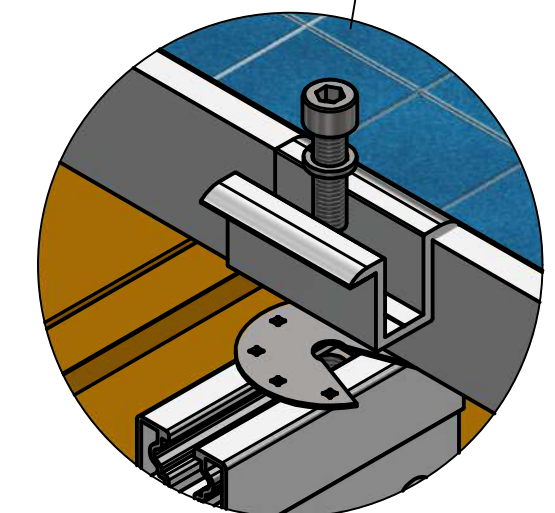
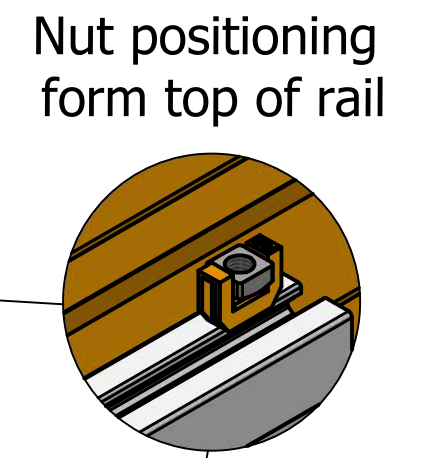
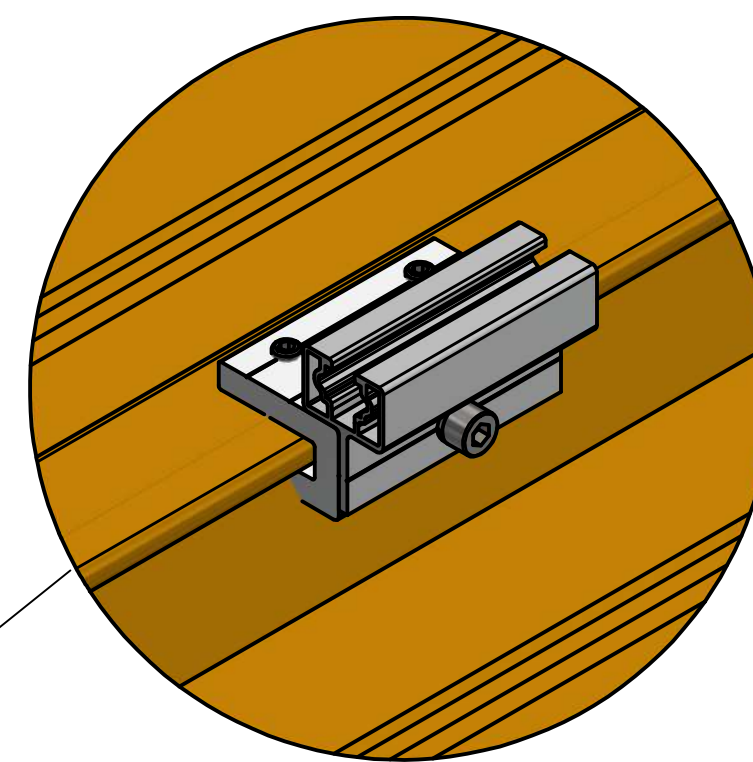


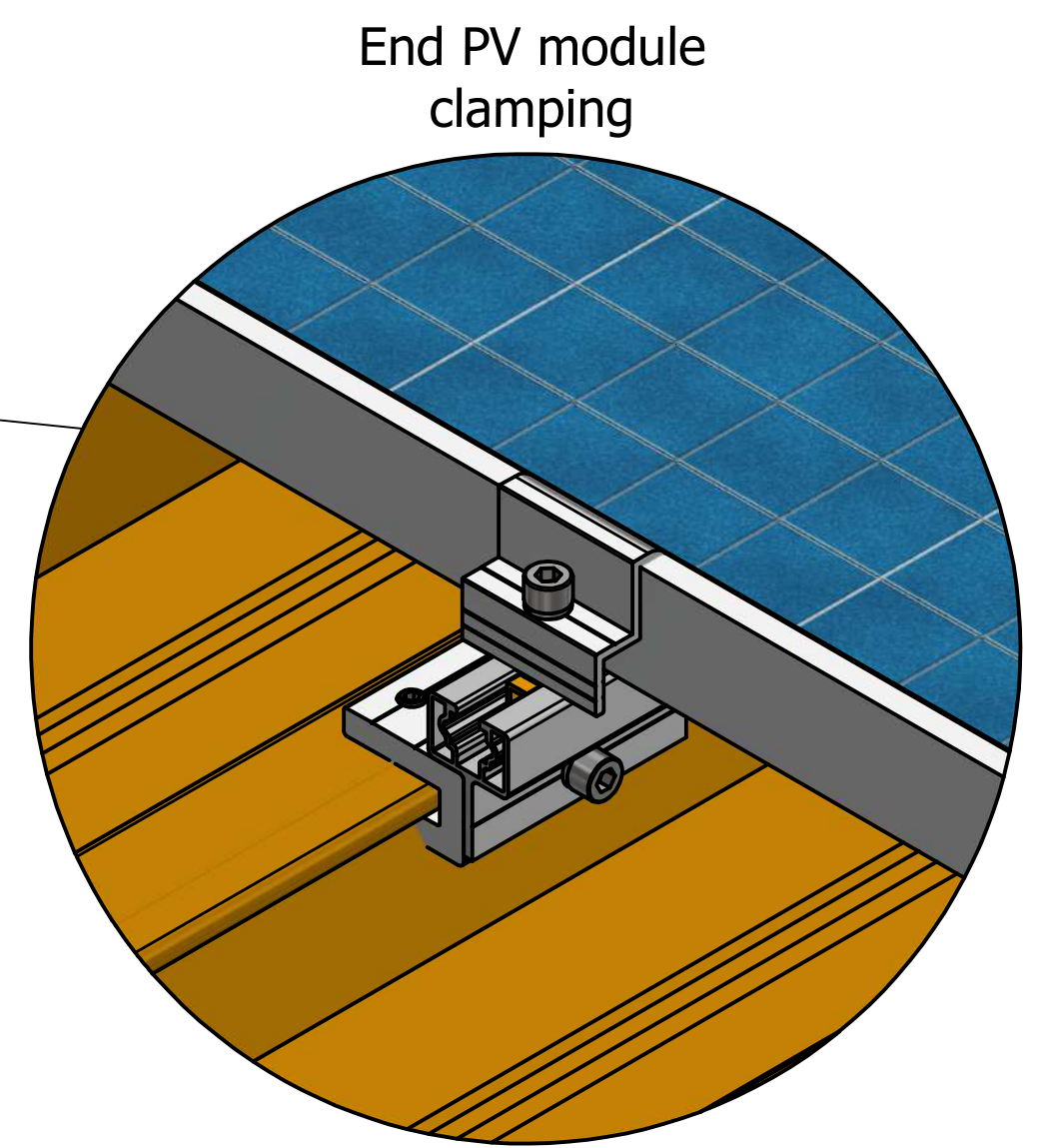
Torque Hex Cap Screw to 18 N.m



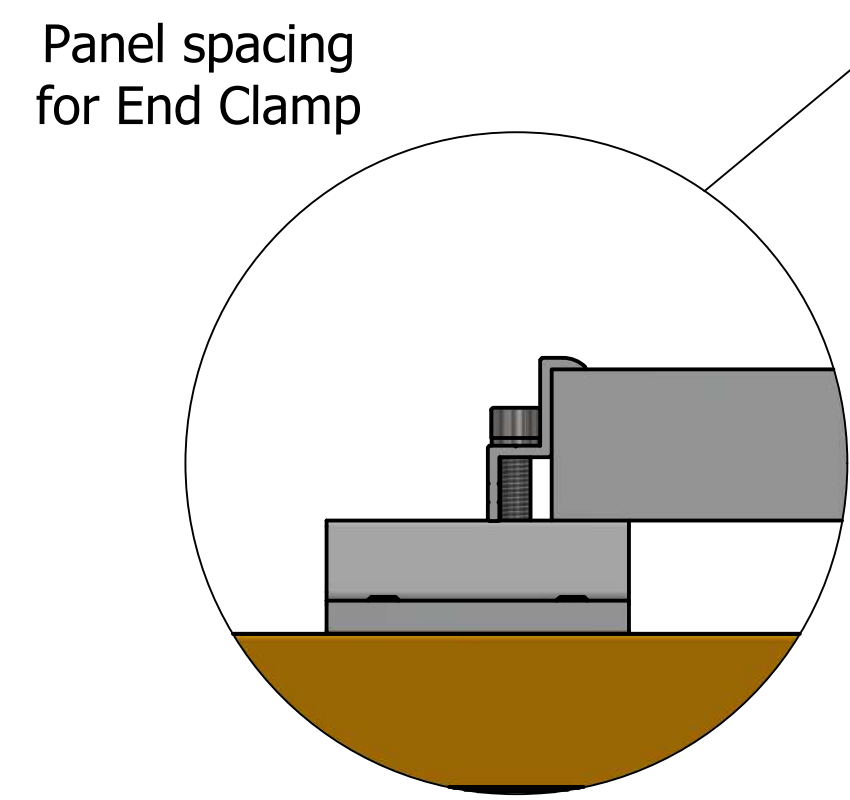
Earthing plate



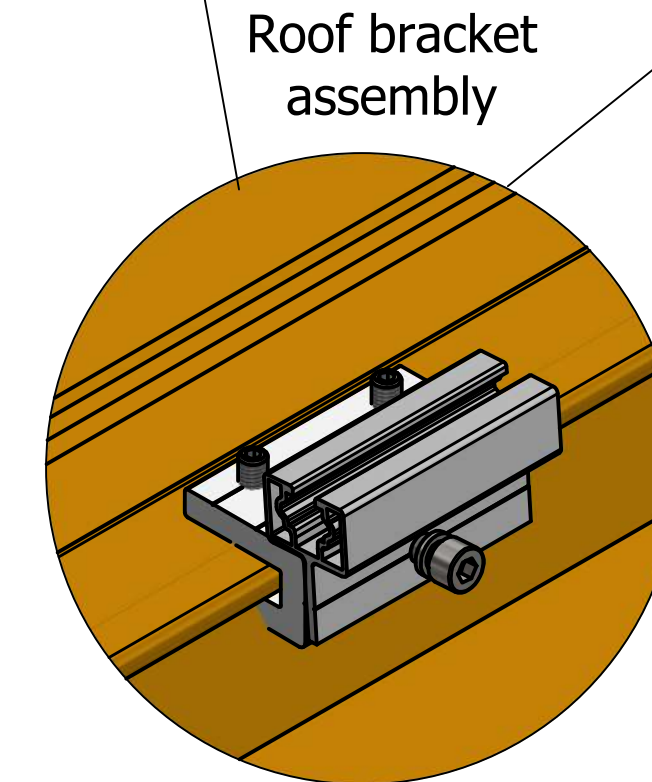
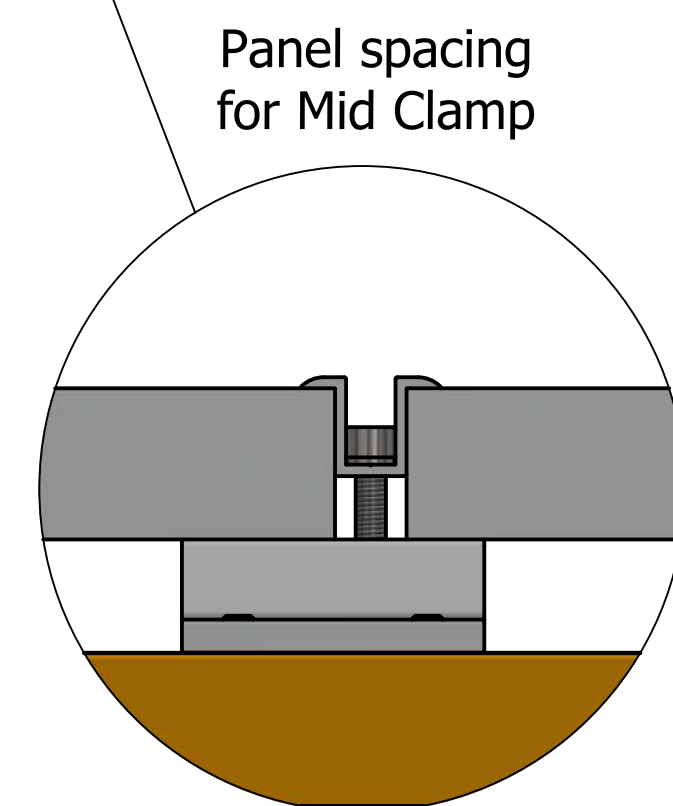
Torque Hex Cap Screw to 18 N.m



Torque Hex Cap Screw to 18 N.m



Bolt connection as close as possible to the center of the bracket



AD_RT_RL_PF_S	Assembly Details - Roof Top Railless Pinch Fix Side
C van Wyk	
Revision 1	
June 2022	