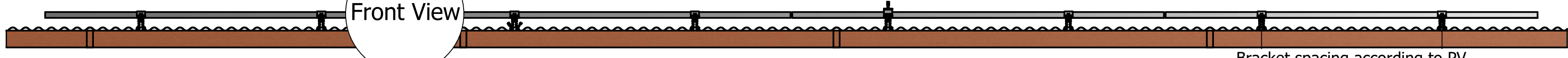
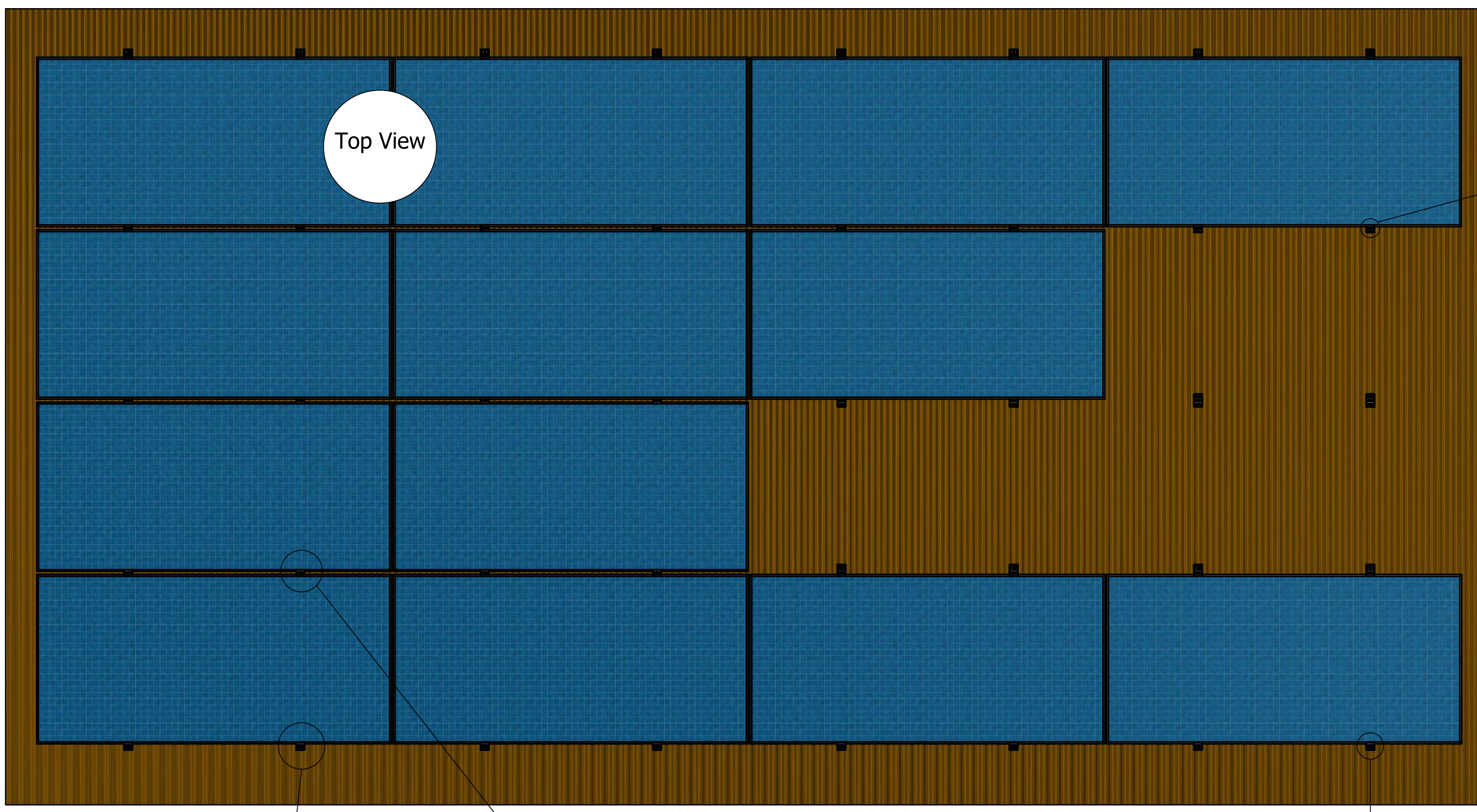


Front View

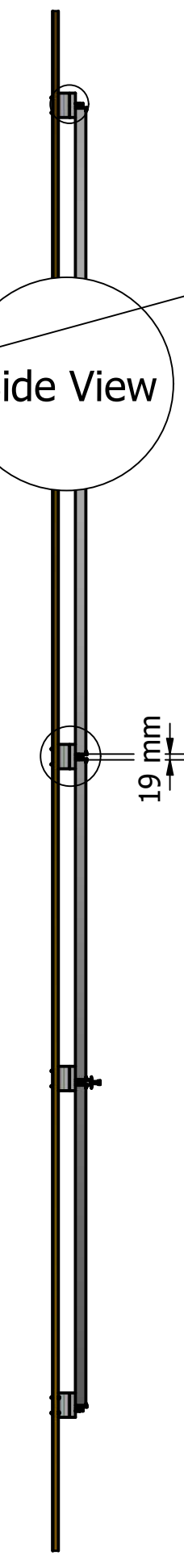


Bracket spacing according to PV manufacturer guidelines

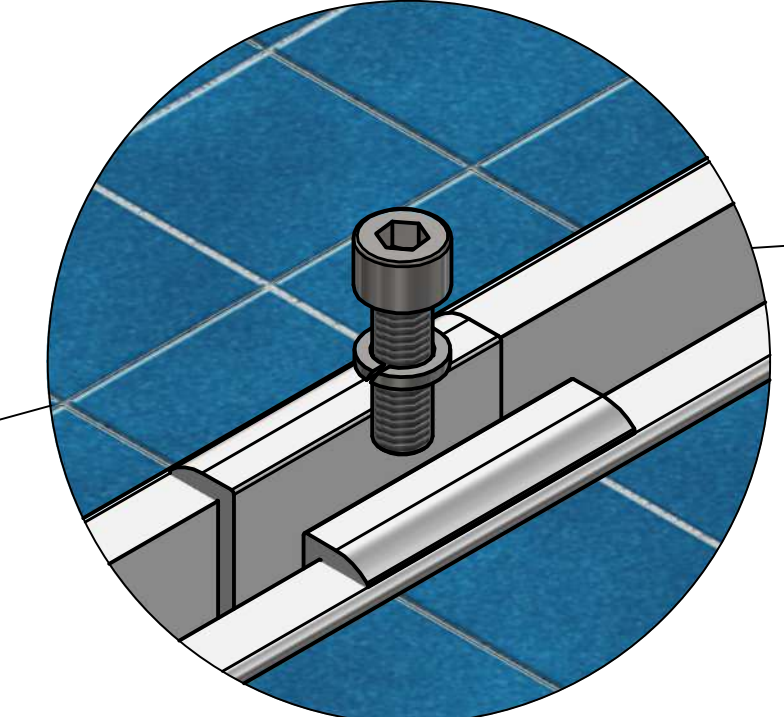
Top View



Side View

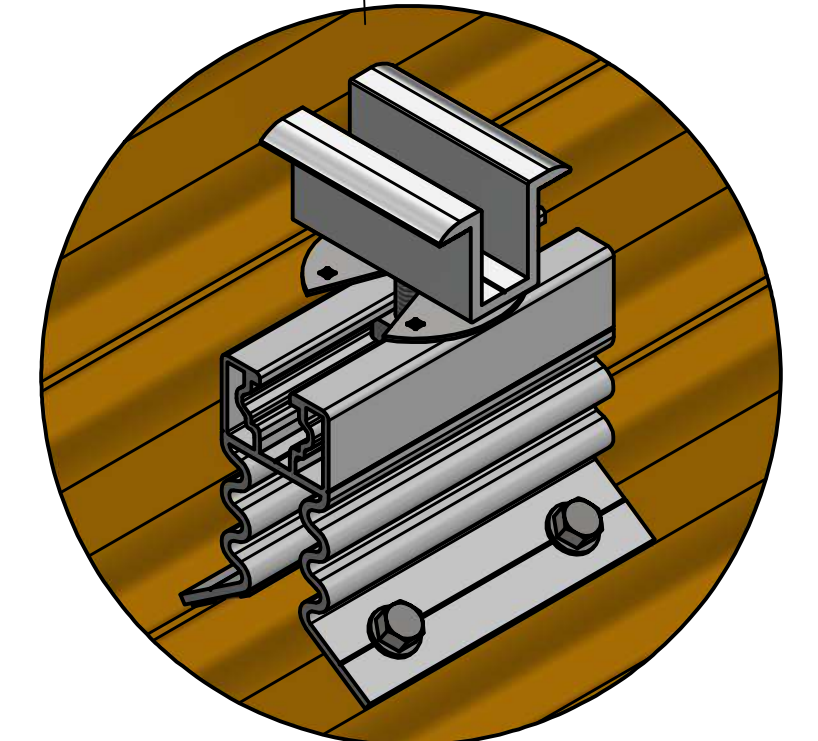
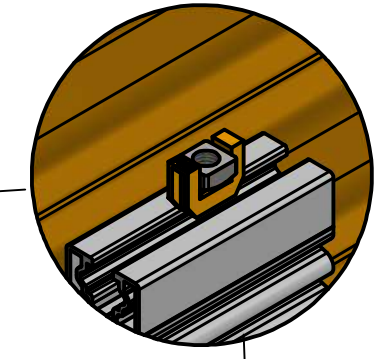


Mid PV module clamping



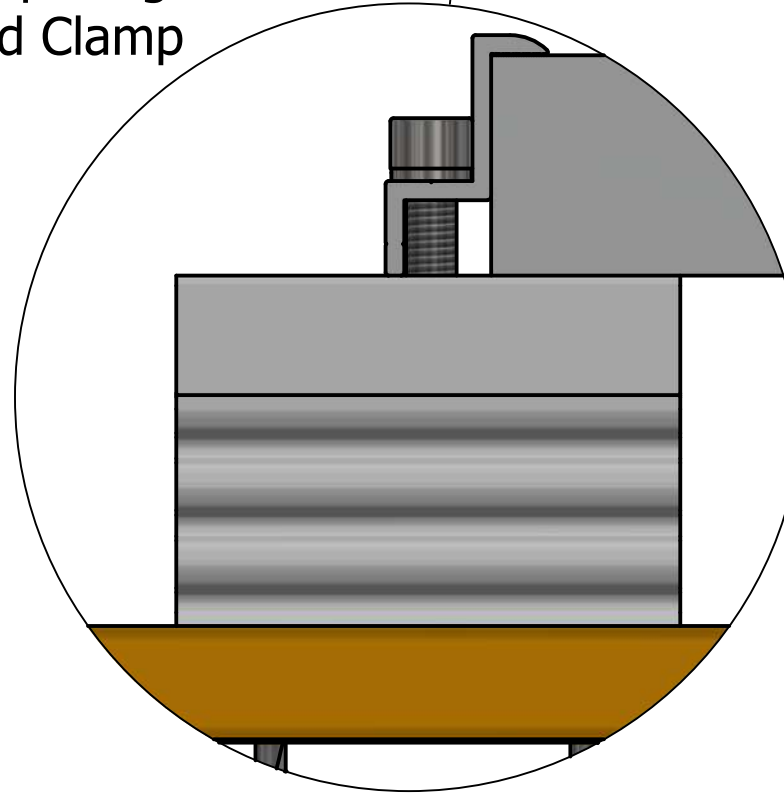
Torque Hex Cap Screw to 18 N.m

Nut positioning from top of bracket

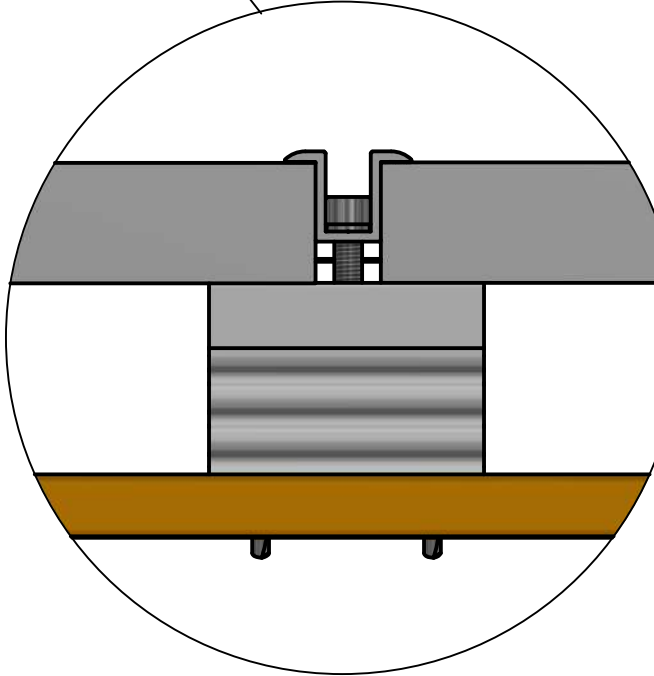


Earthing plate

Panel spacing for End Clamp

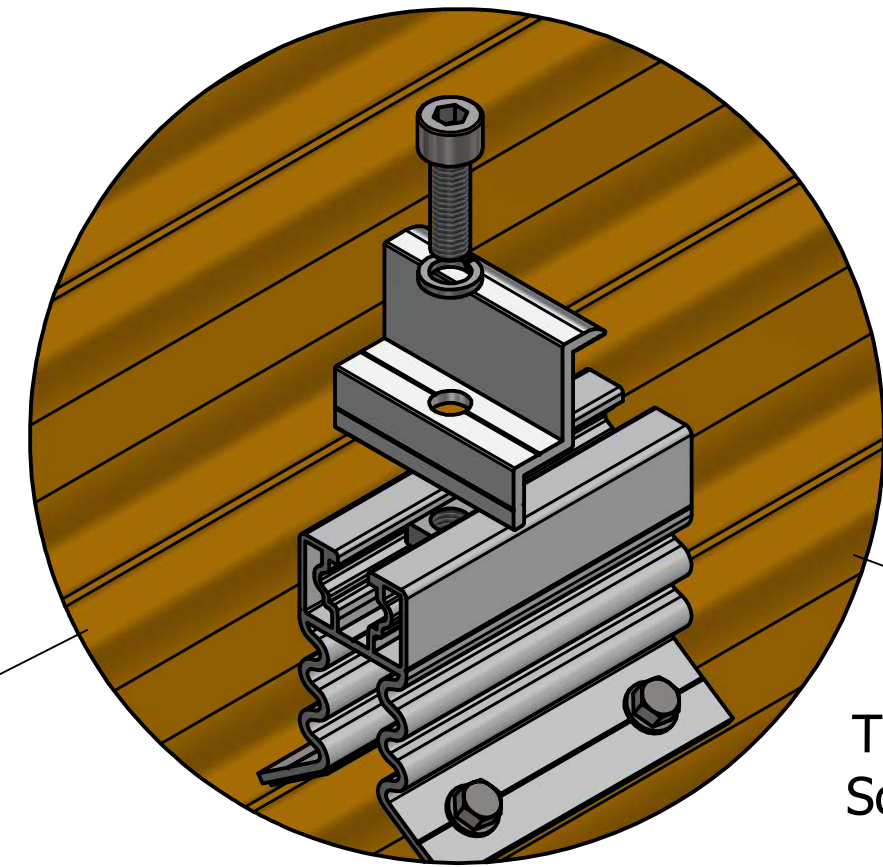
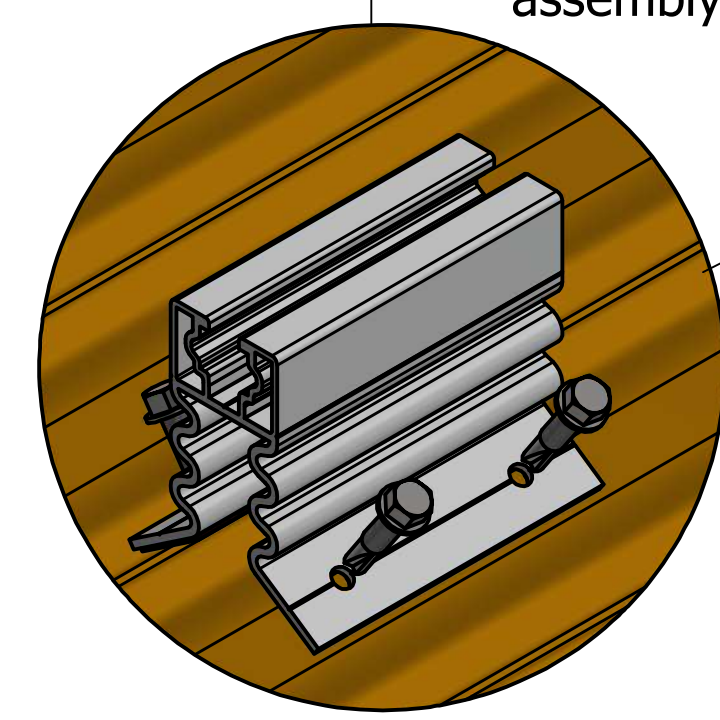


Panel spacing for Mid Clamp



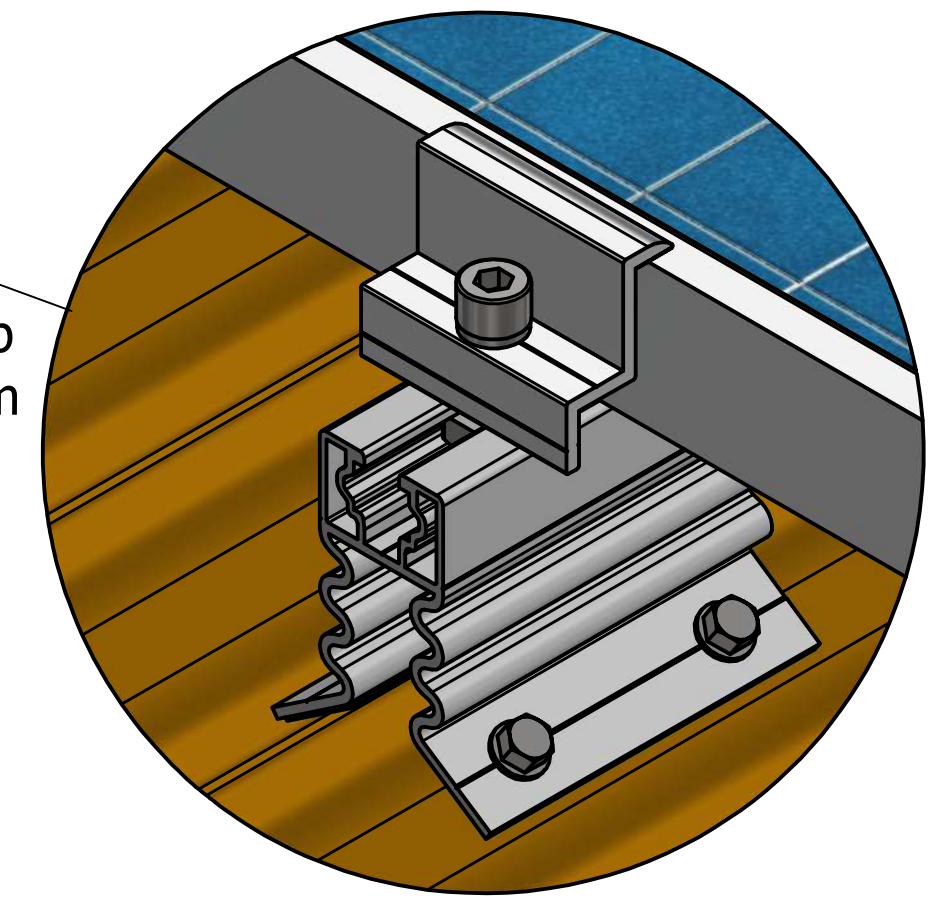
Bolt Connection as close as Possible to center of bracket.

Roof bracket assembly



Torque Hex Cap Screw to 18 N.m

End PV module clamping



AD_RT_RL_COR	Assembly Details - Roof Top Railless Corrugated Railless
A Brewis	
Revision 1	
July 2022	