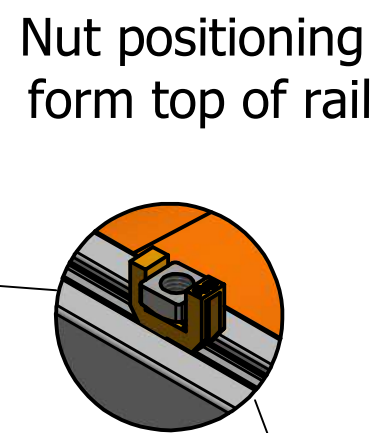
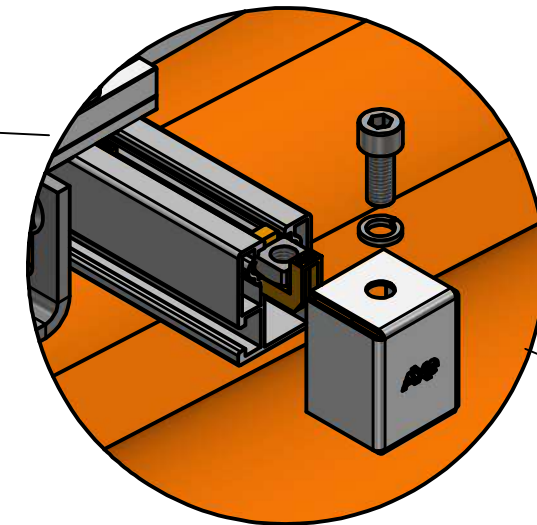


Torque Hex Cap Screw to 18 N.m

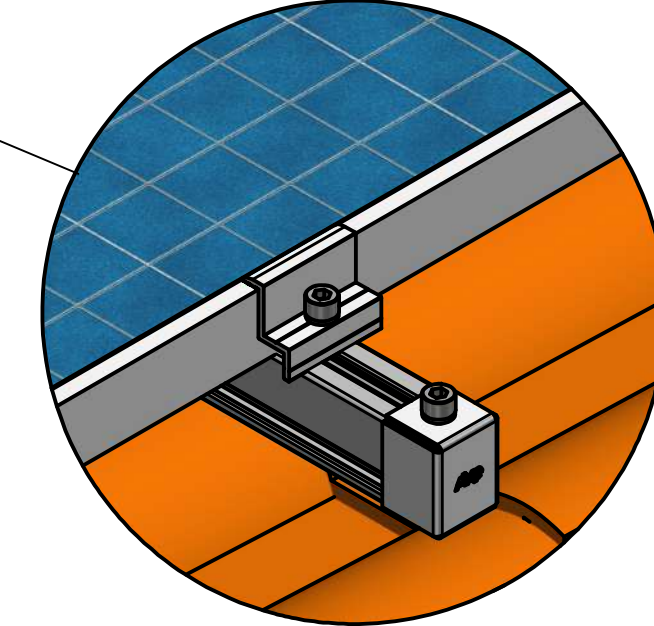


Nut positioning form top of rail

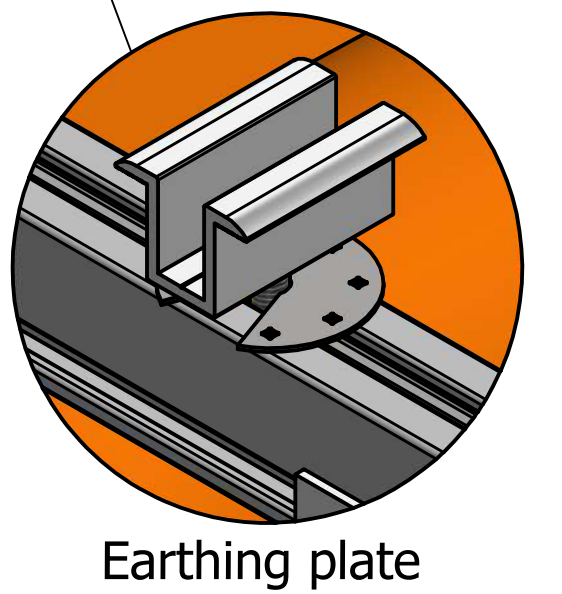
End cap connection



End PV module clamping

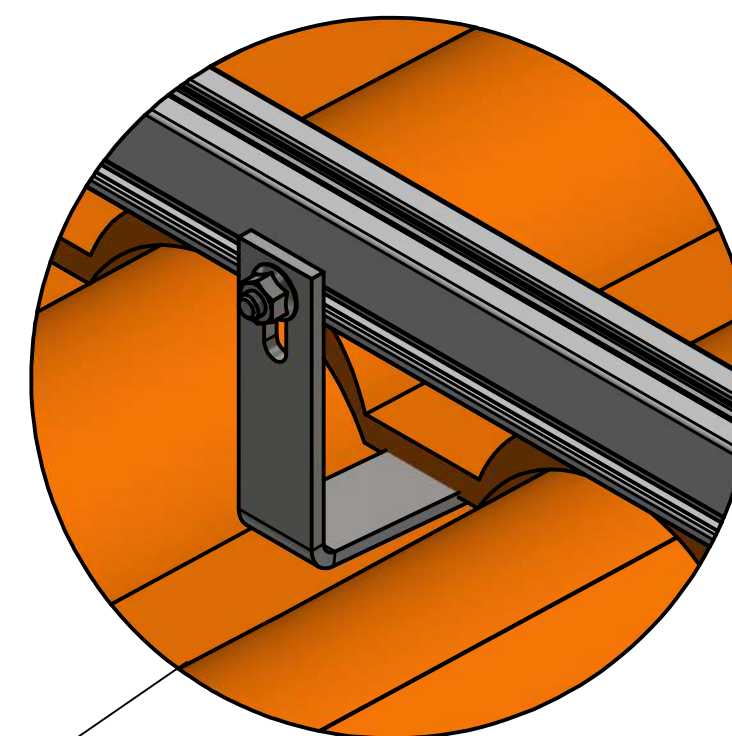


Torque Hex Cap Screw to 18 N.m



Earthing plate

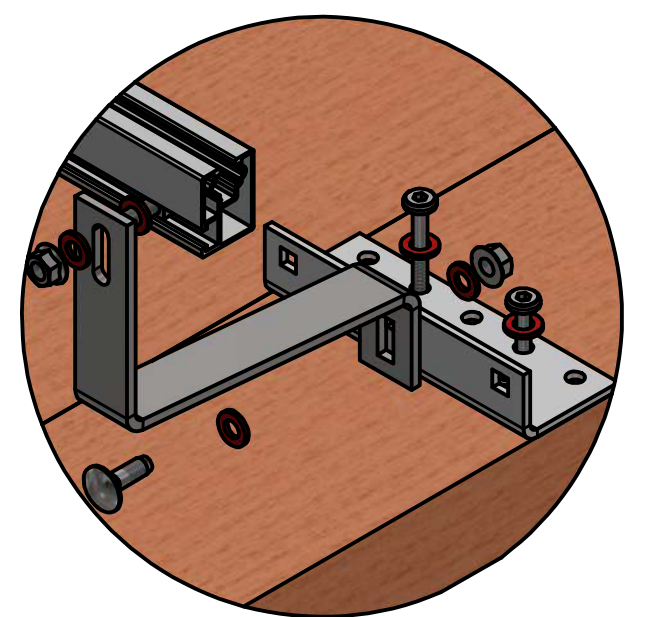
Roof bracket - rail connected



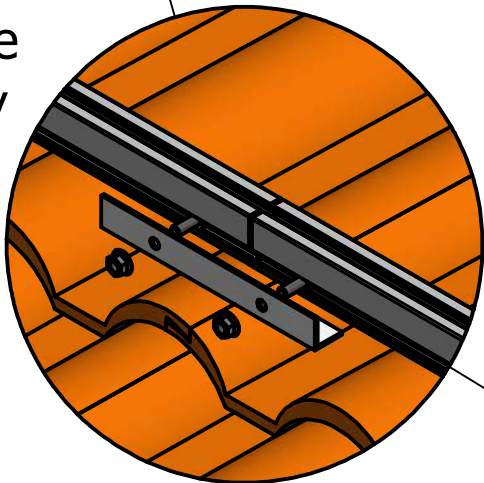
Bracket Material Type

Fibre Washers

NB: For Hot Dip Galv Tile Hooks, insert **Fibre Washers** on SS fasteners. E.g. Wood screws, Rail bolt, Flange nut.

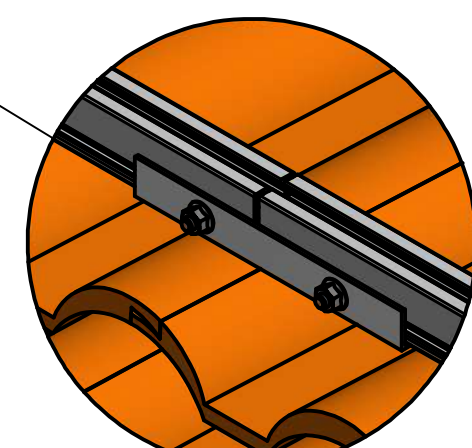


Rail Splice assembly



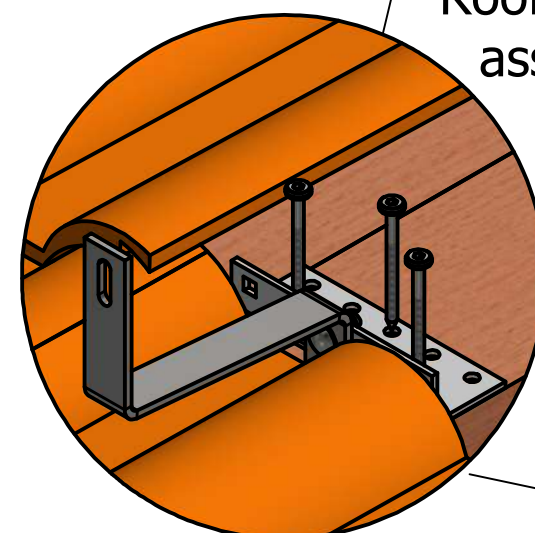
Leave 5mm gap between rails every 20m

Torque Hex Nut to 18 N.m

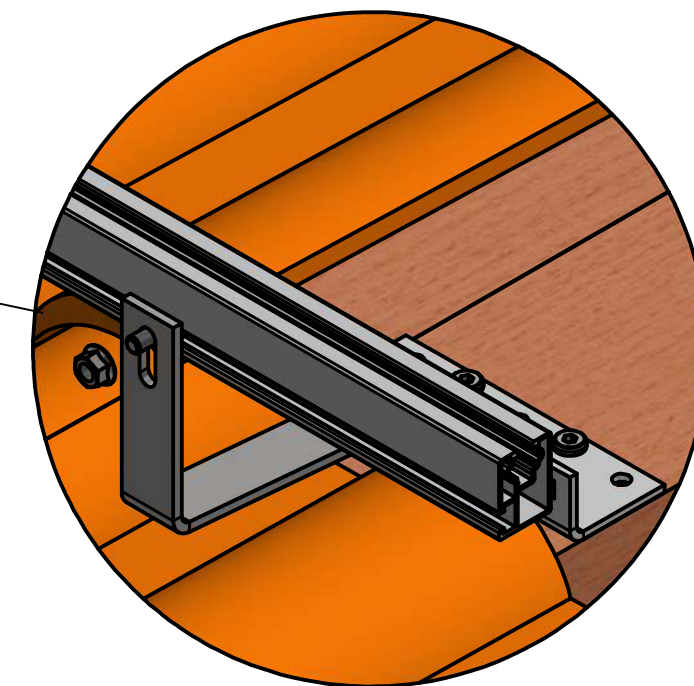


Rail Splice connected

Roof bracket assembly



Torque Hex Nut to 18 N.m once Rail is connected



AD_RT_RD_TH_V_E

Assembly Details - Roof Top Railed Tile Hook Vertical Eco

A Brewis

Revision 1

July 2022

