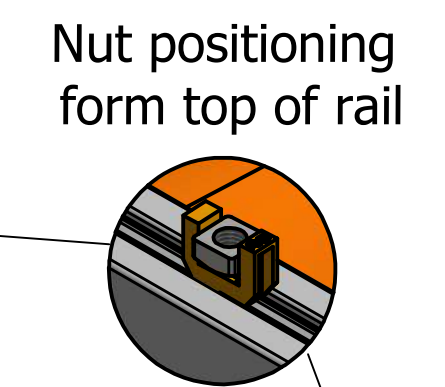
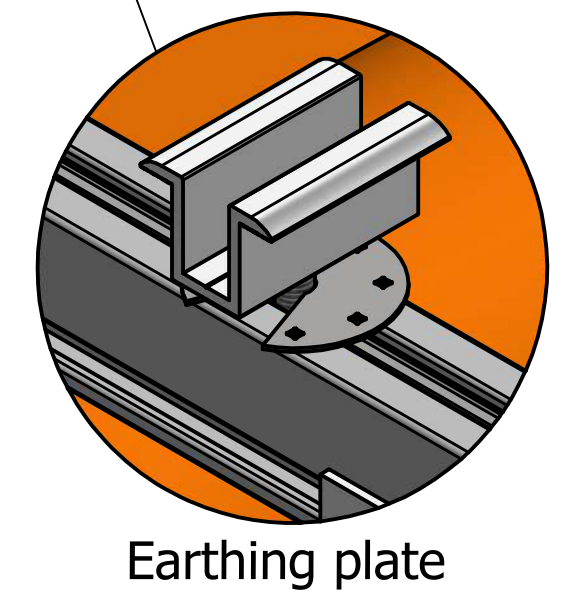


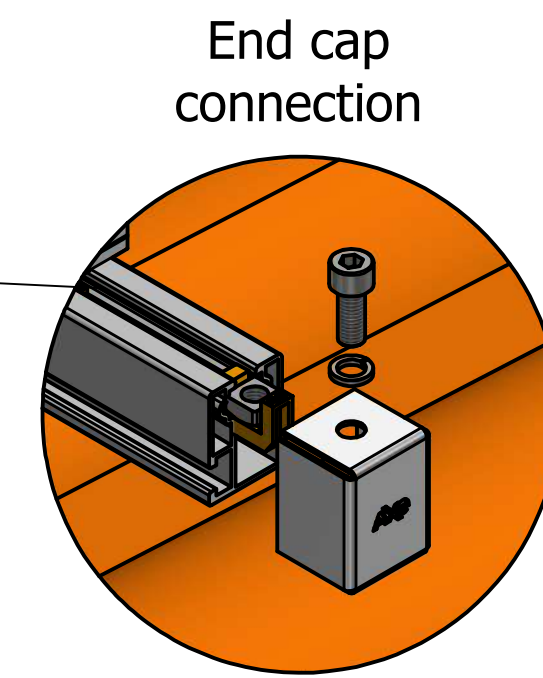
Torque Hex Cap Screw to 18 N.m



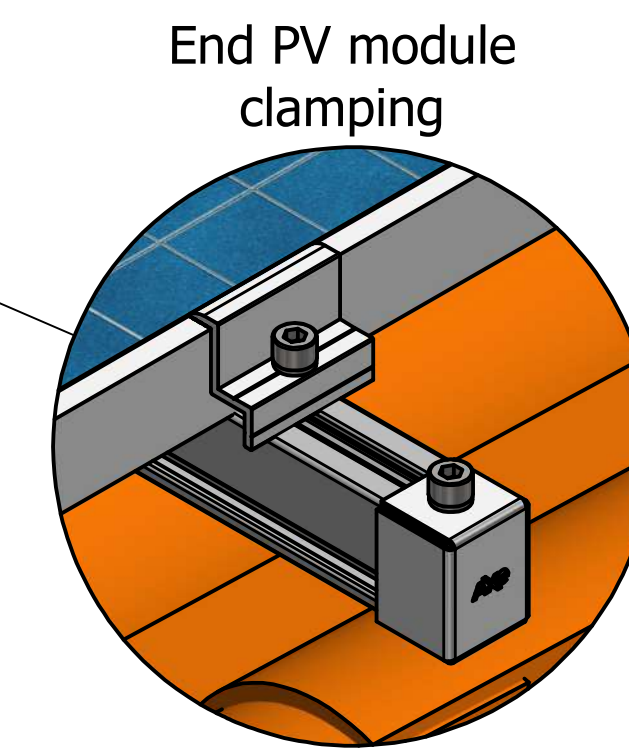
Nut positioning form top of rail



Earthing plate



End cap connection



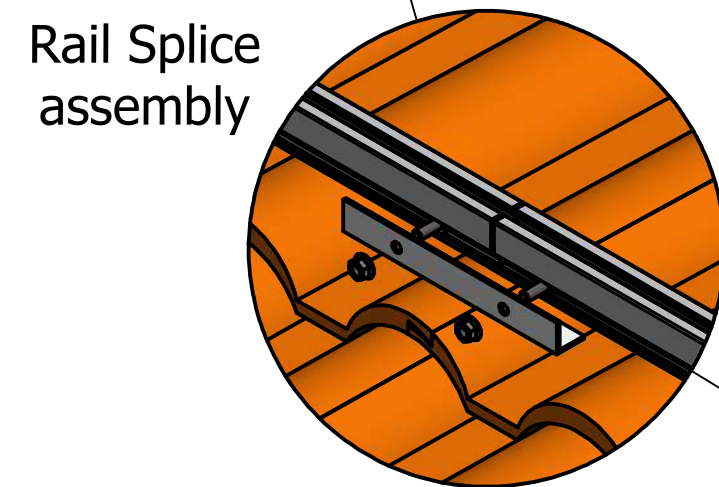
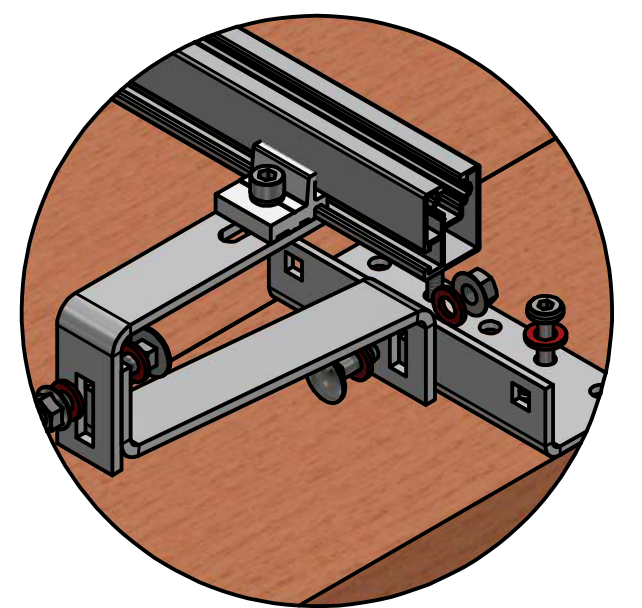
End PV module clamping

Torque Hex Cap Screw to 18 N.m

Bracket Material Type

Fibre Washers

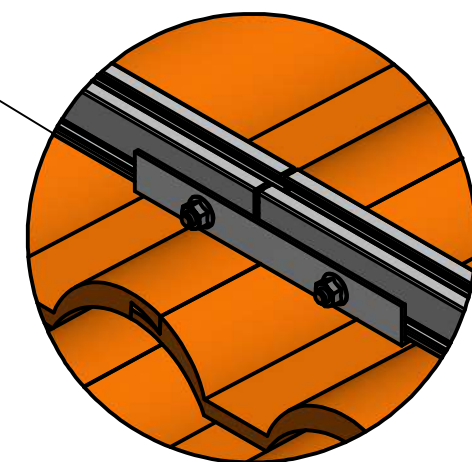
NB: For Hot Dip Galv Tile Hooks, insert **Fibre Washers** on SS fasteners. E.g. Wood screws, Rail bolt, Flange nut.



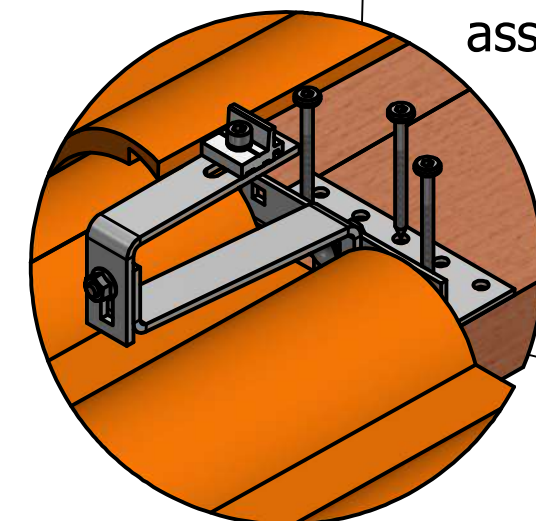
Rail Splice assembly

Leave 5mm gap between rails every 20m

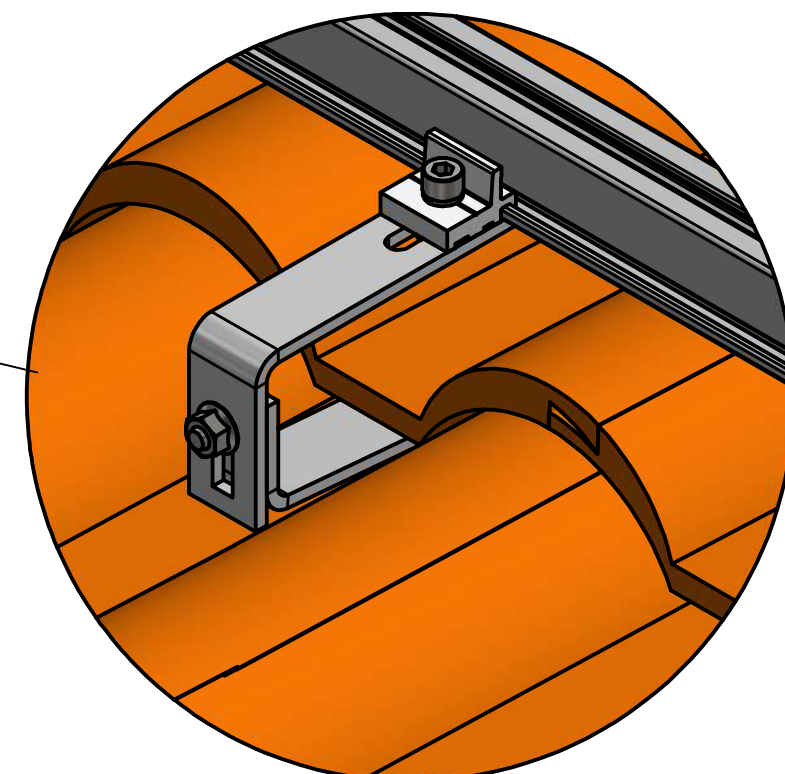
Torque Hex Nut to 18 N.m



Rail Splice connected



Roof bracket assembly



Torque Hex Nut to 18 N.m once Rail is connected

AD_RT_RD_TH_RD	Assembly Details - Roof Top Railed Tile Hook Railed
A Brewis	
Revision 1	
July 2022	