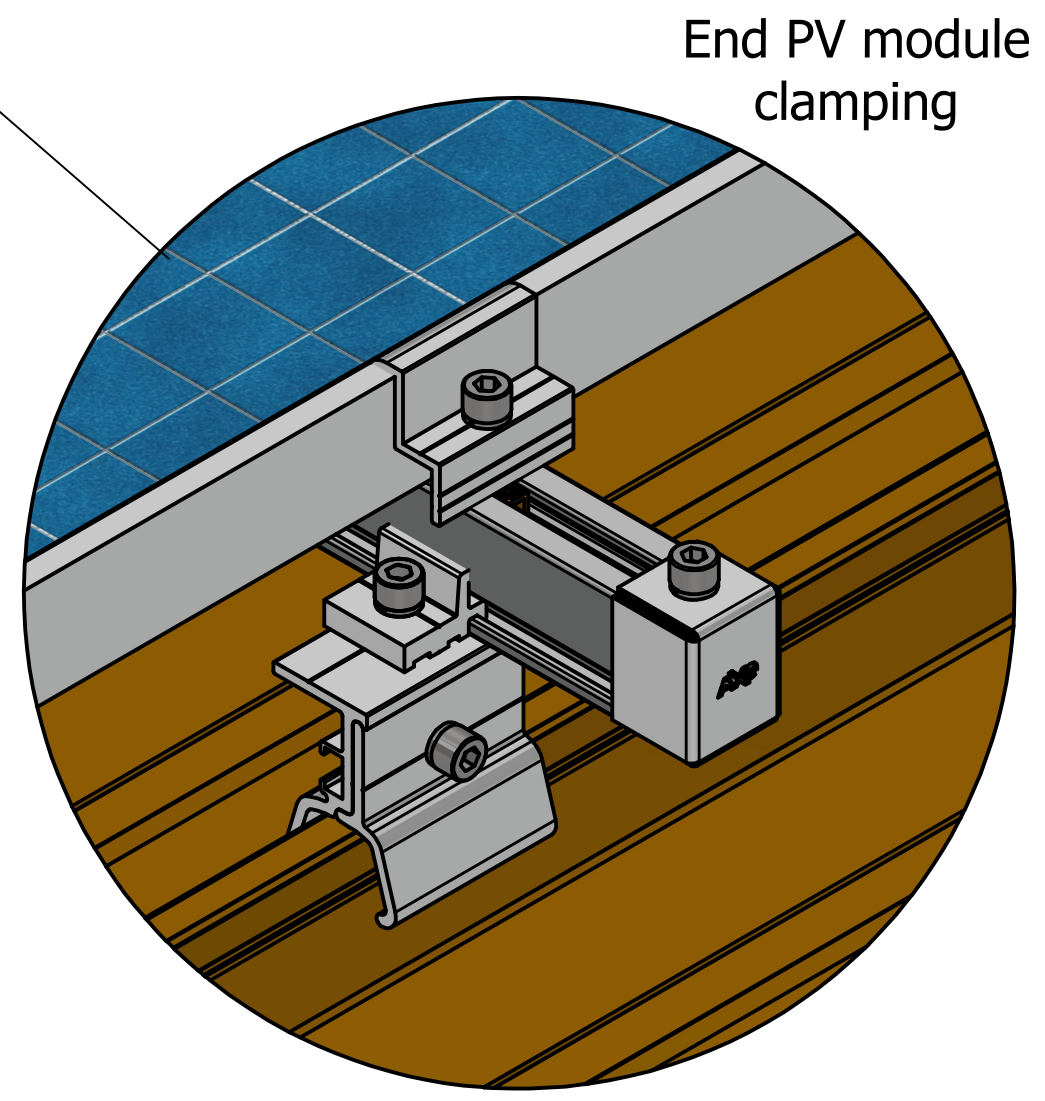
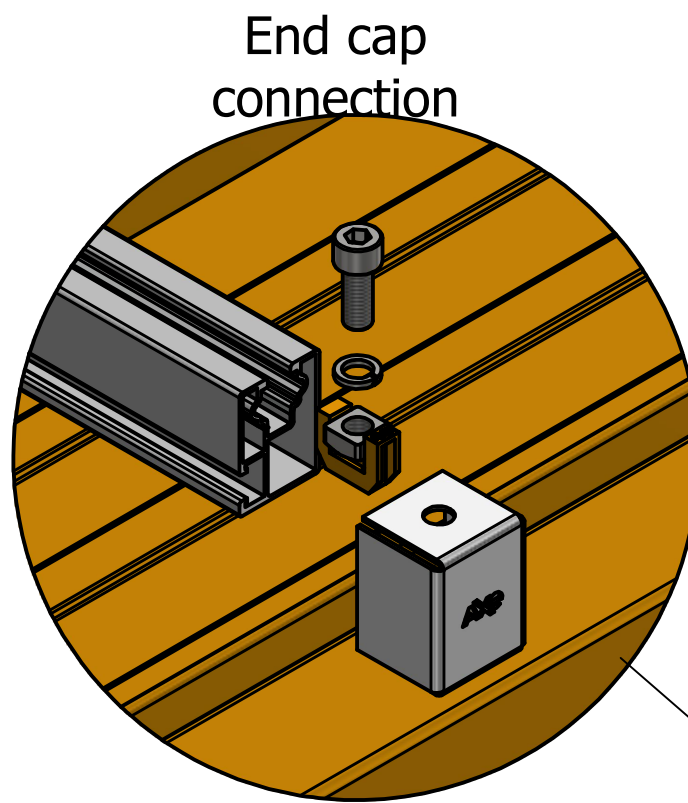
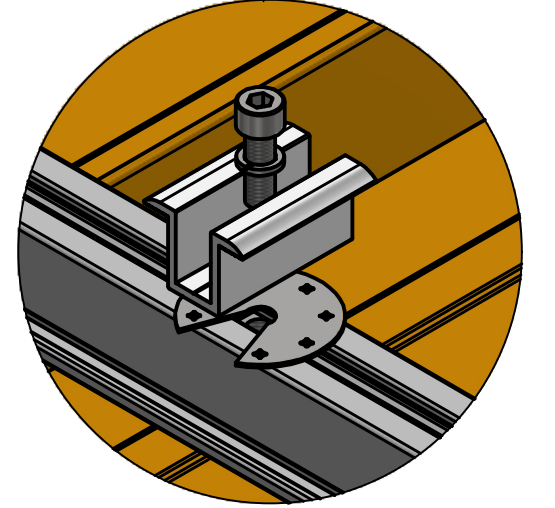
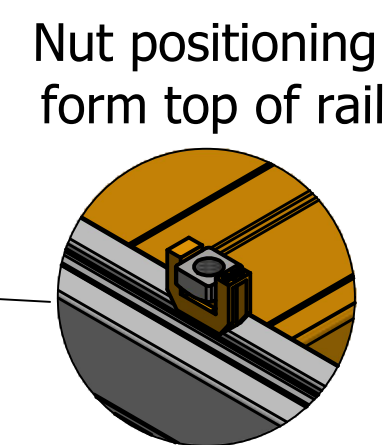
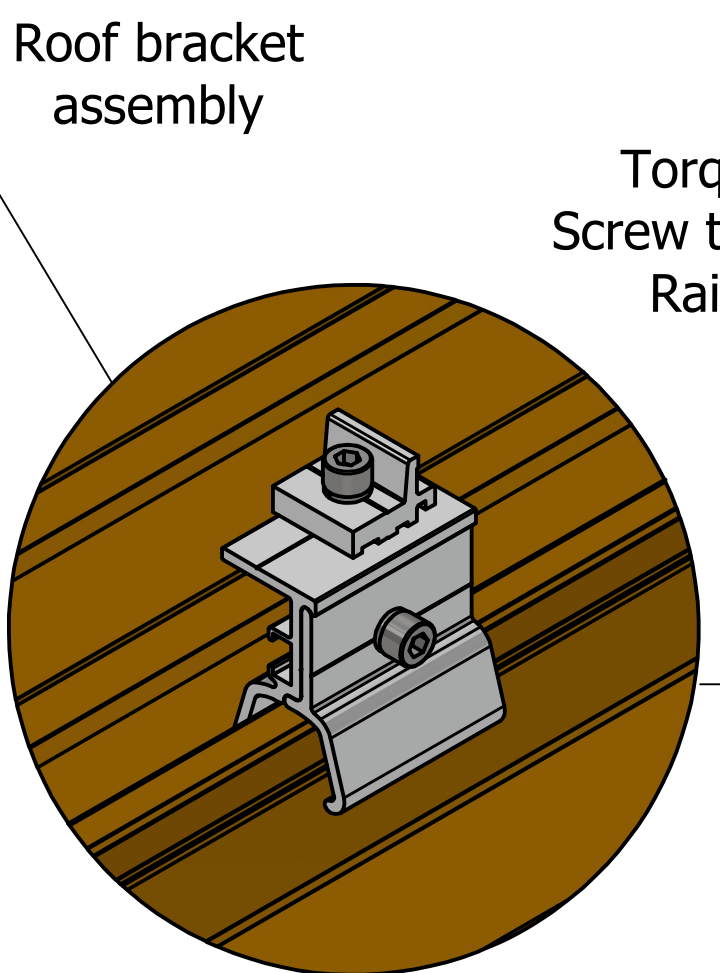
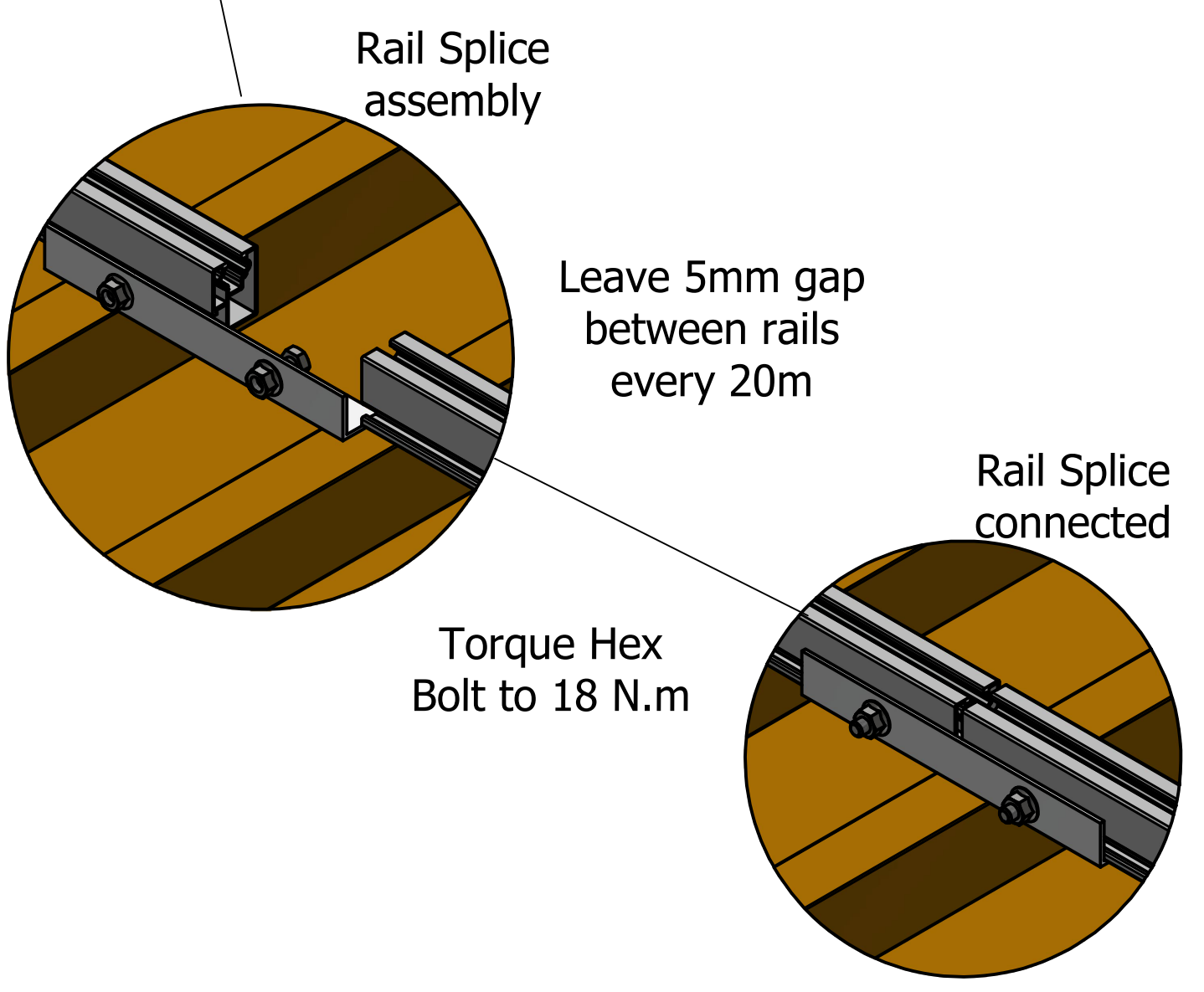


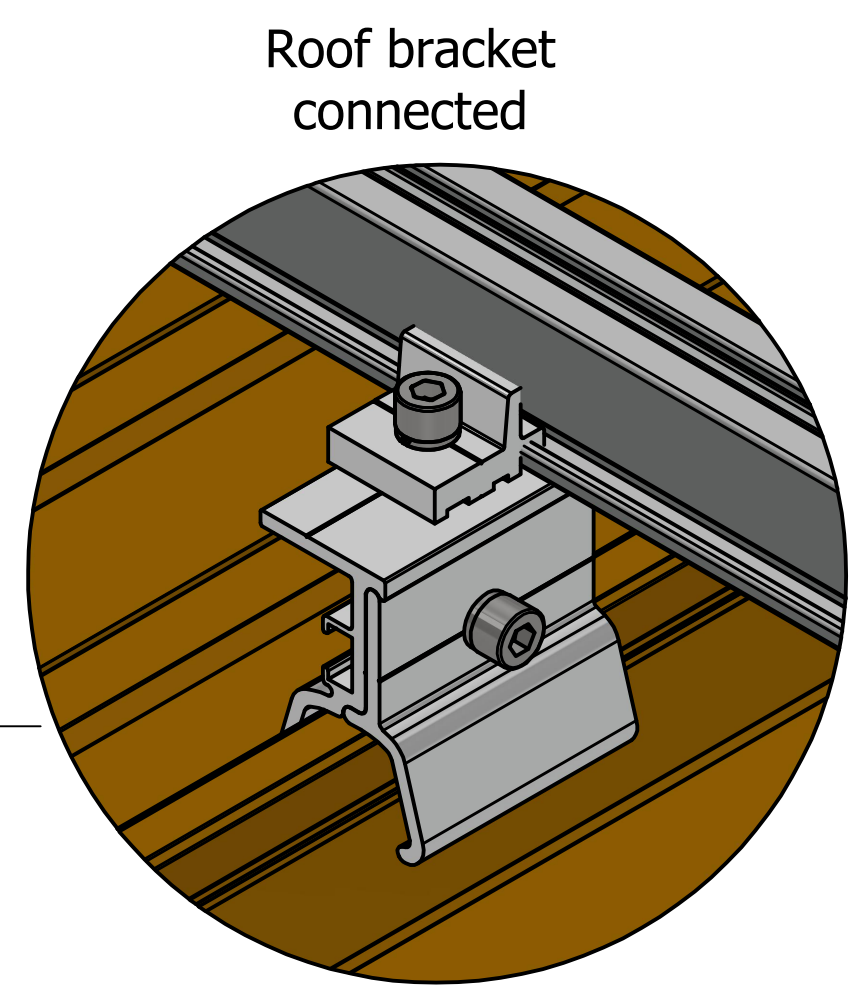
Torque Hex Cap Screw to 18 N.m



Torque Hex Cap Screw to 18 N.m



Torque Hex Cap Screw to 18 N.m once Rail is clipped



AD_RT_RD_SL	<b>Axe</b>   STRUCT Assembly Details - Roof Top Railed Spring Lok
A Brewis	
Revision 1	
Feb 2023	