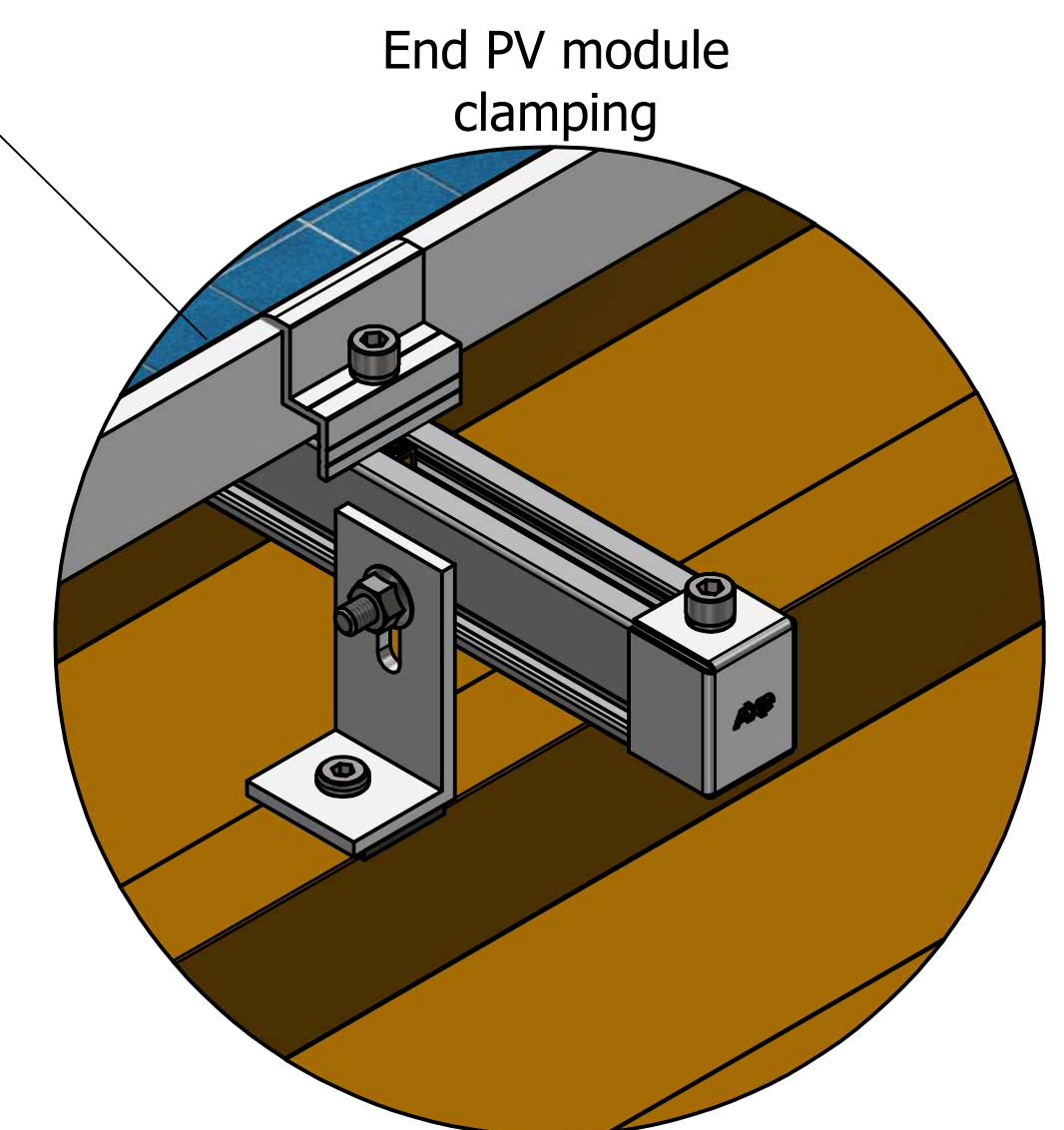
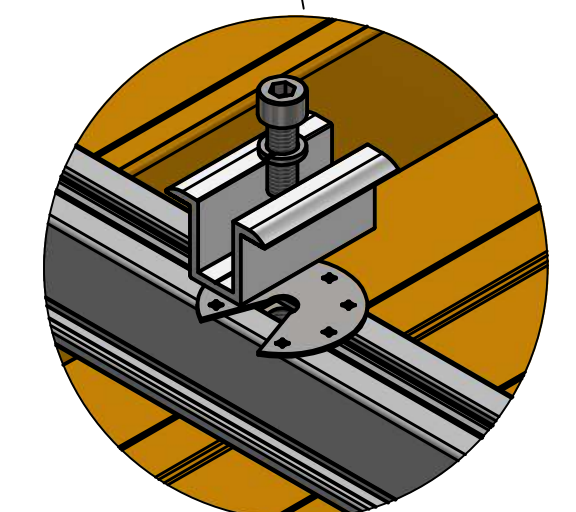
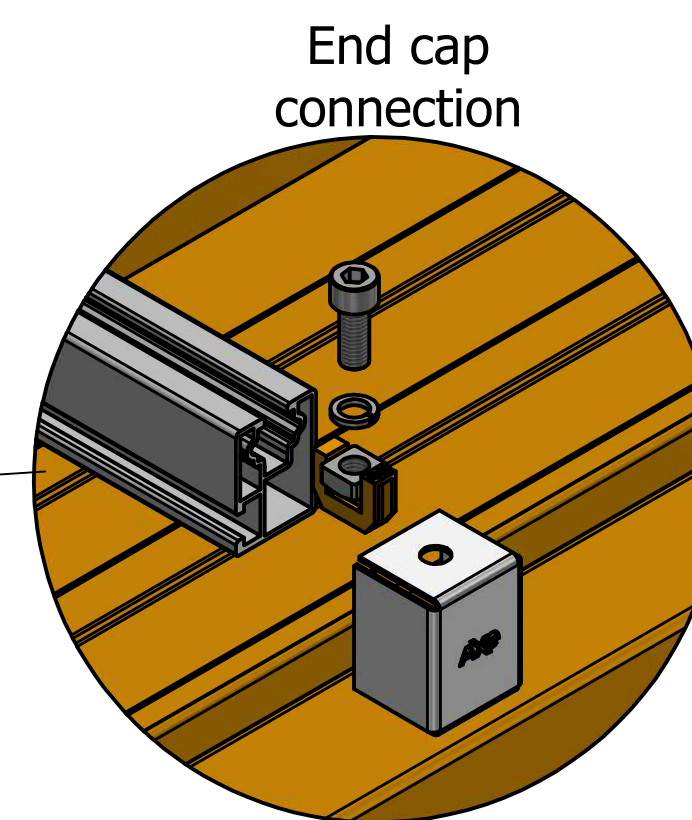
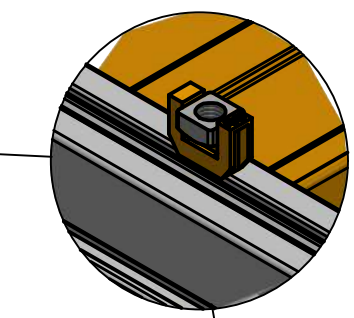
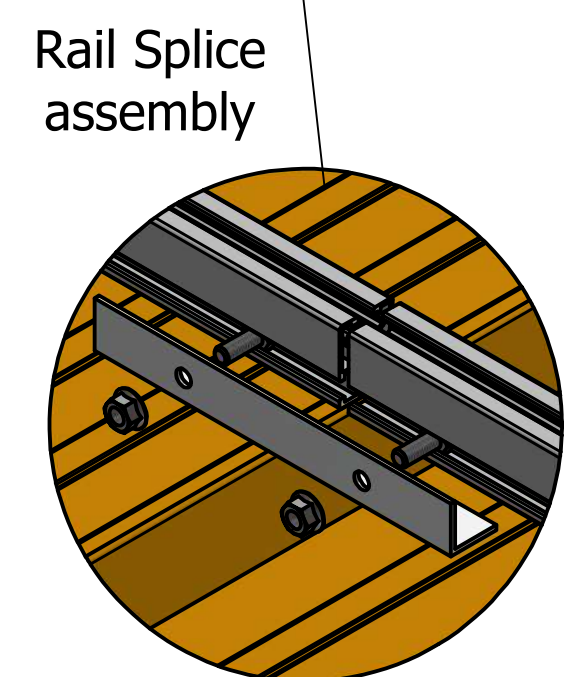


Torque Hex Cap Screw to 18 N.m

Nut positioning from top of rail

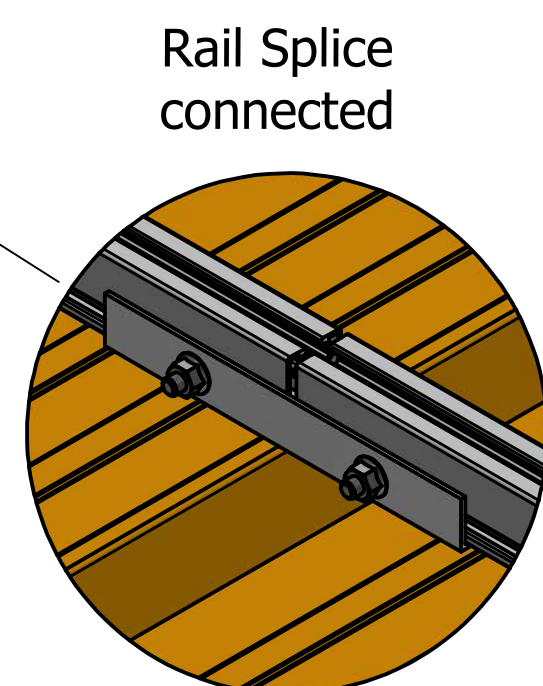


Torque Hex Cap Screw to 18 N.m

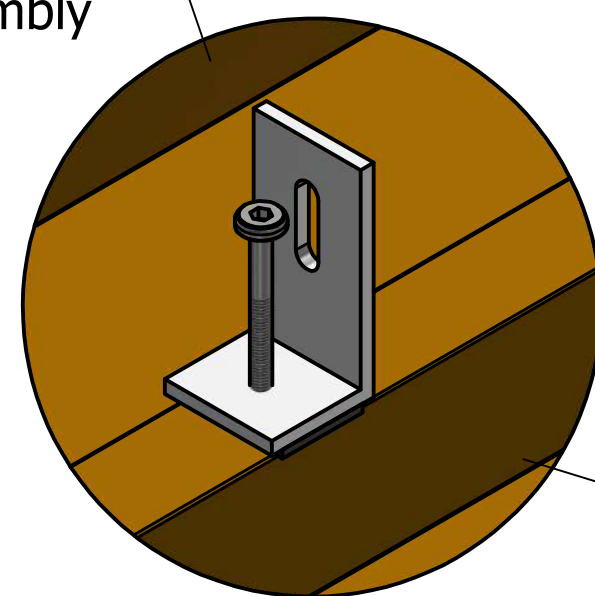


Leave 5mm gap between rails every 20m

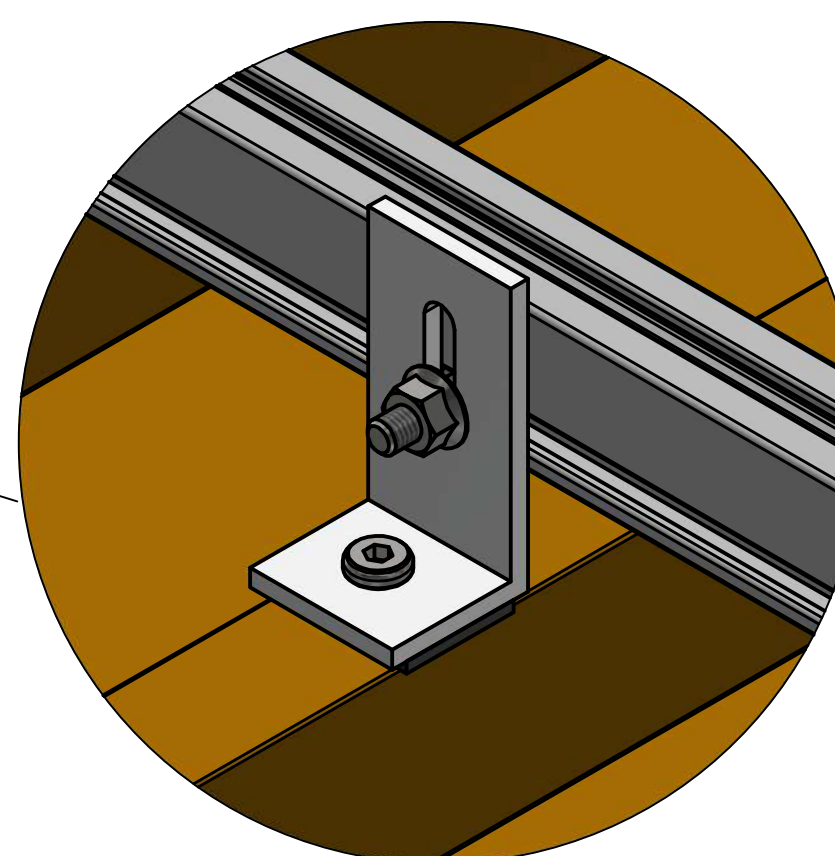
Torque Hex Bolt to 18 N.m



Roof bracket assembly



Torque Hex Bolt to 18 N.m



Roof bracket connected

AD_RT_RD_L_R	Assembly Details - Roof Top Railed L-Bracket Rib
C van Wyk	
Revision 1	
Apr 2022	