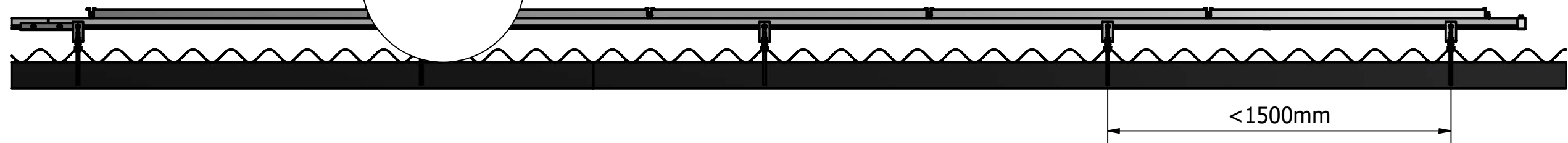
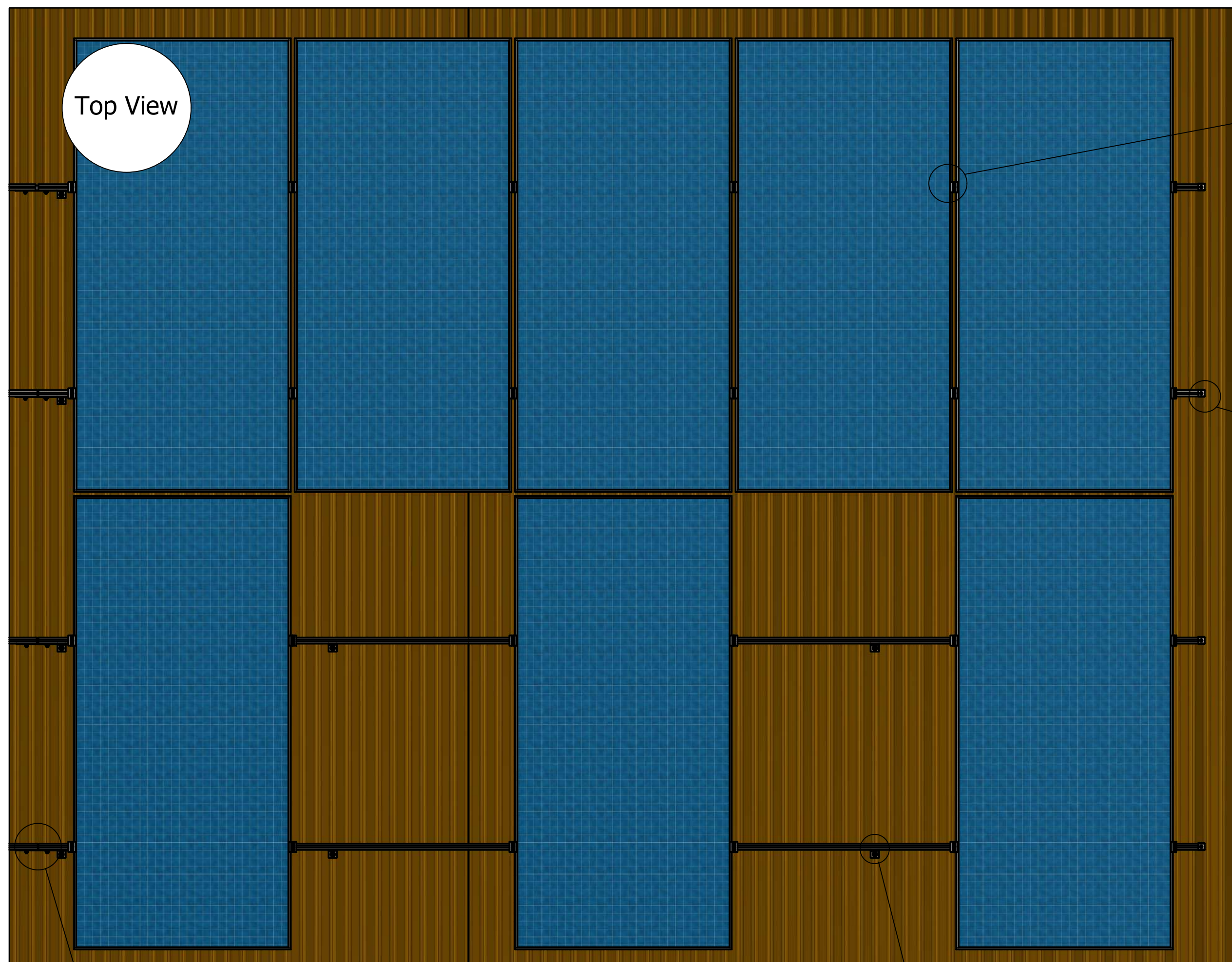


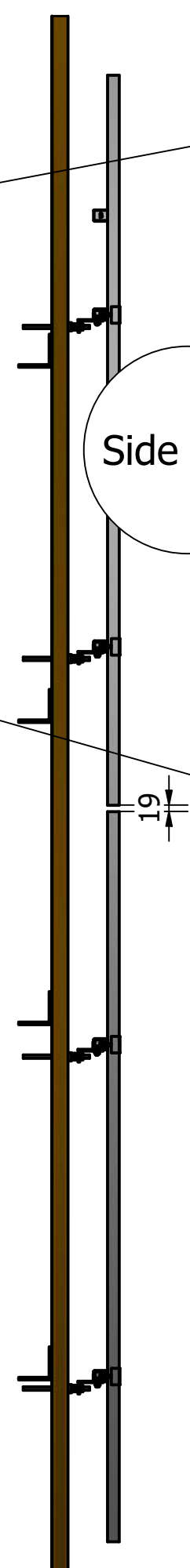
Front View



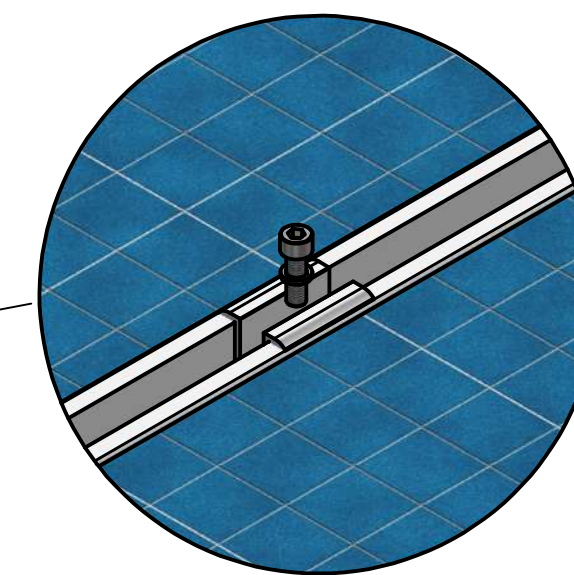
Top View



Side View

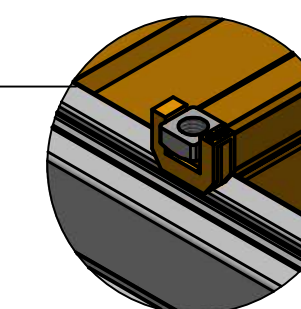


Mid PV module clamping

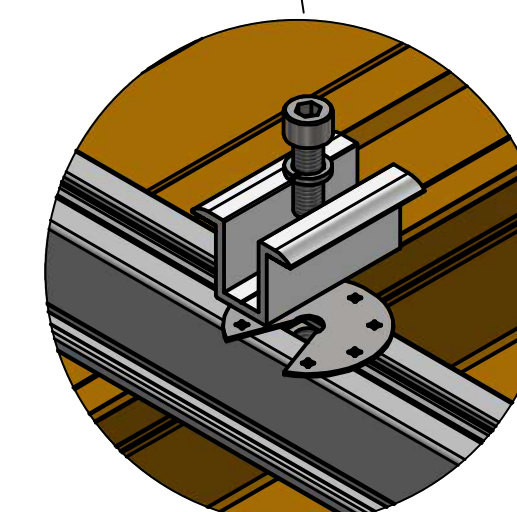


Torque Hex Cap Screw to 18 N.m

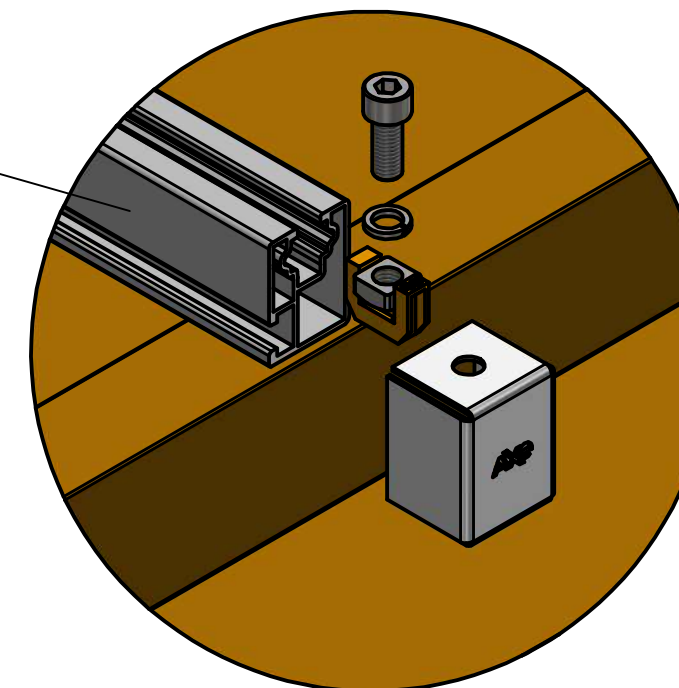
Nut positioning from top of rail



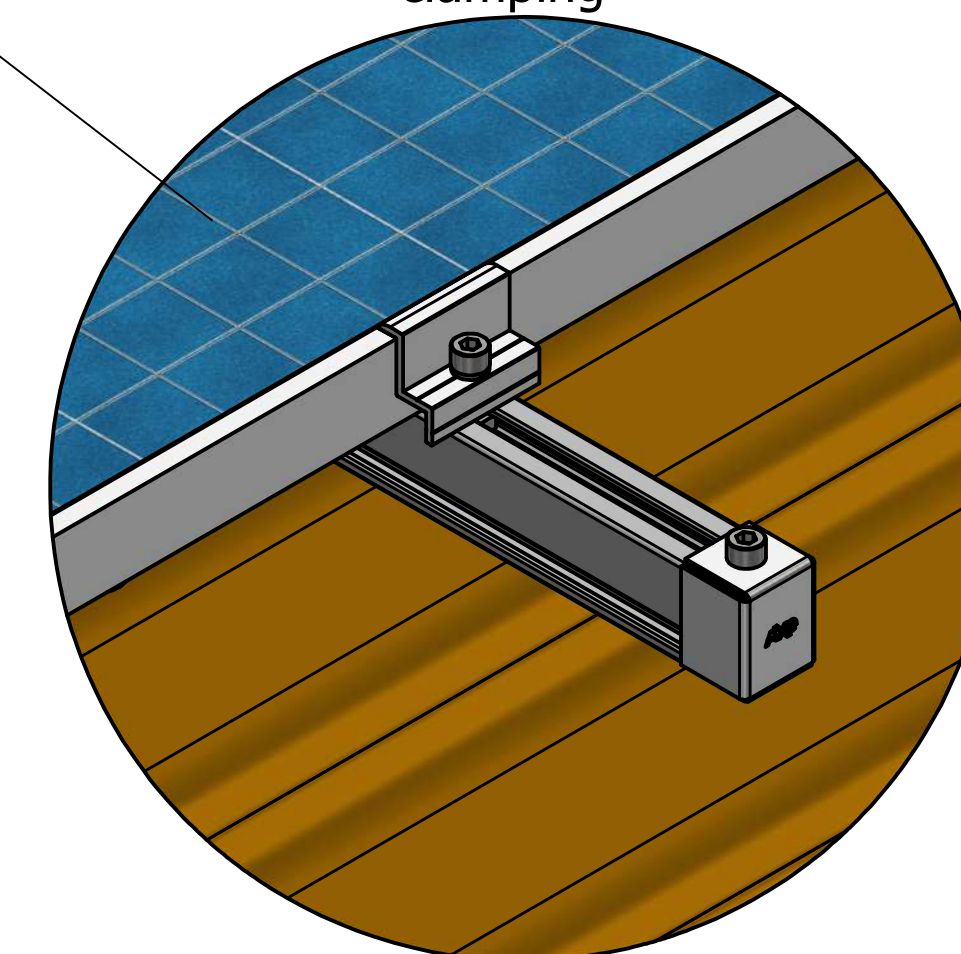
Earthing plate



End cap connection

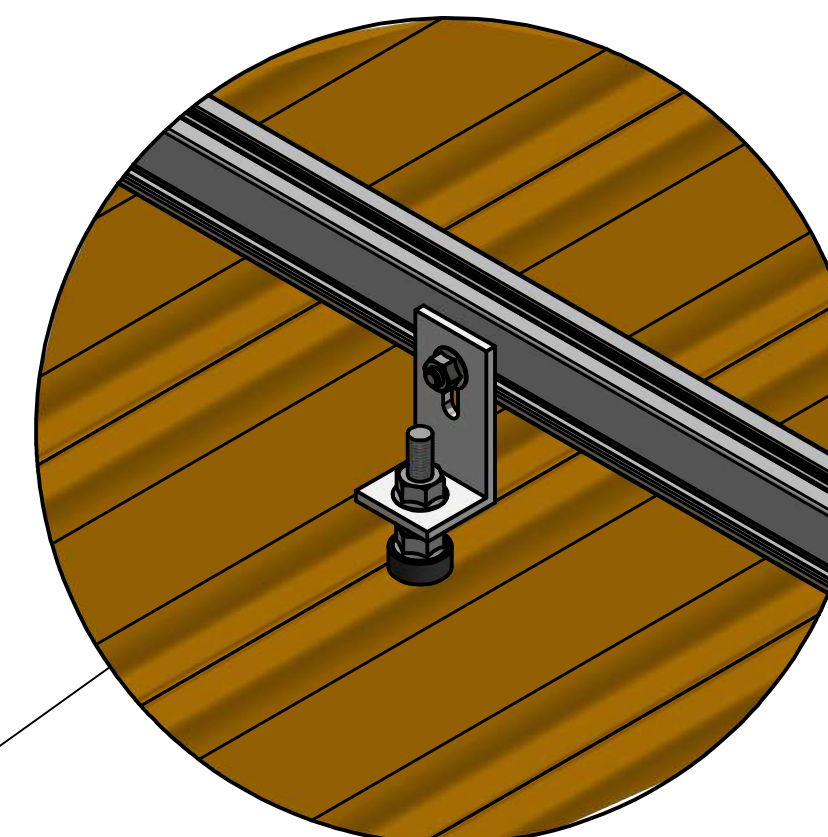


End PV module clamping

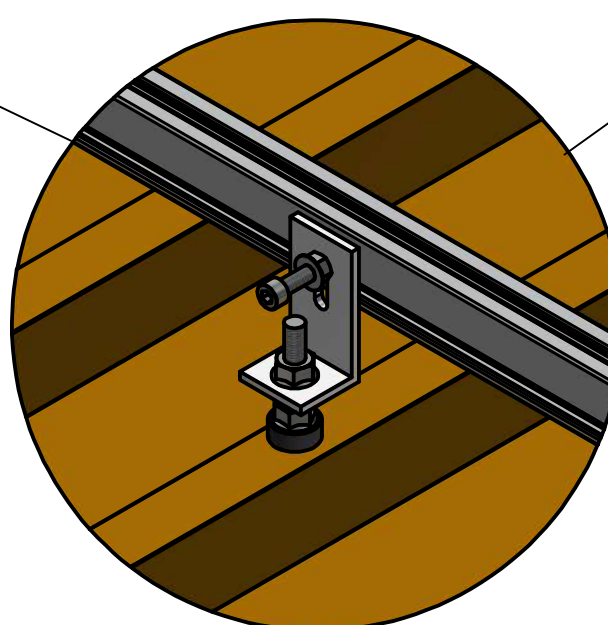


Torque Hex Cap Screw to 18 N.m

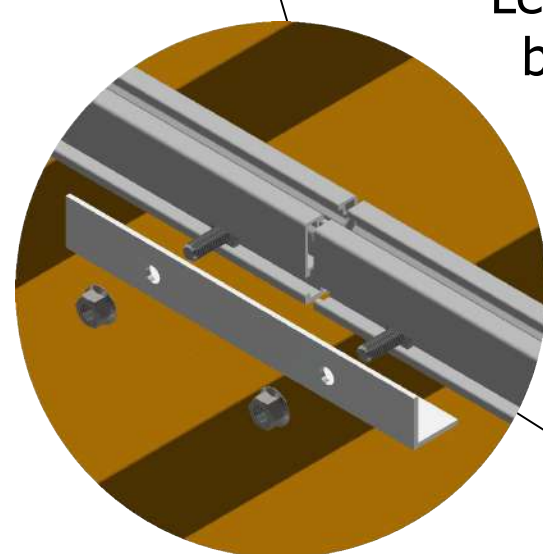
Roof bracket connected



Torque Hex Bolt to 18 N.m

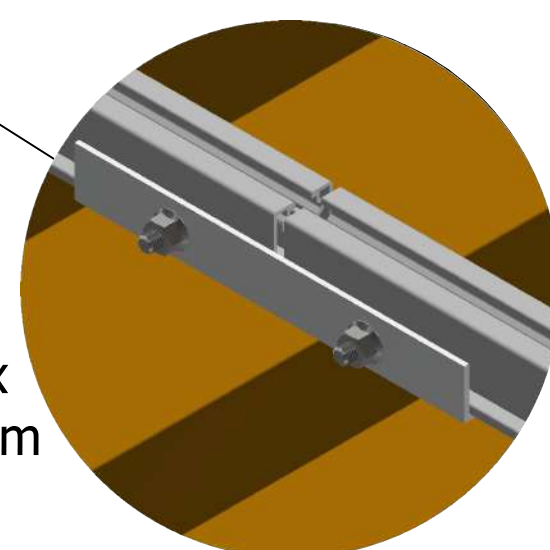


Rail Splice assembly



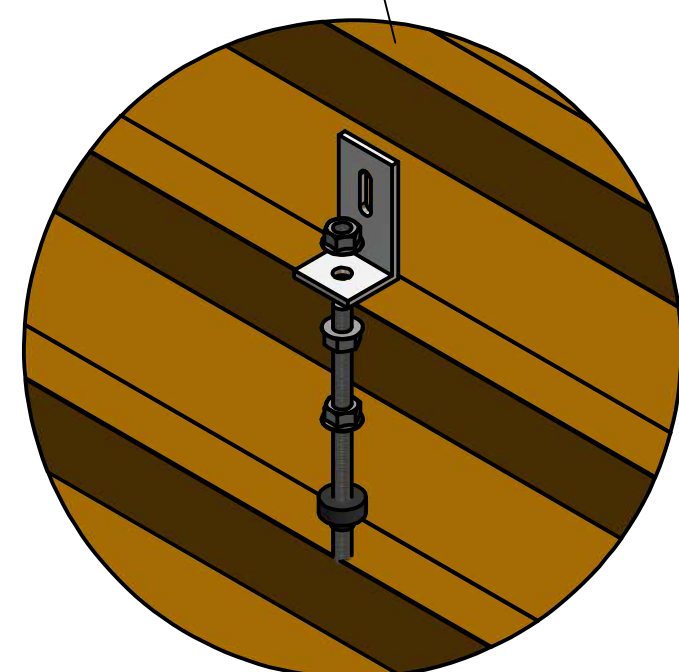
Leave 5mm gap between rails every 20m

Rail Splice connected



Torque Hex Bolt to 18 N.m

Roof bracket assembly



AD_RT_RD_HB_V

Assembly Details - Roof Top Railed Hanger Bolt Vertical

A Brewis

Revision 1

May 2022

