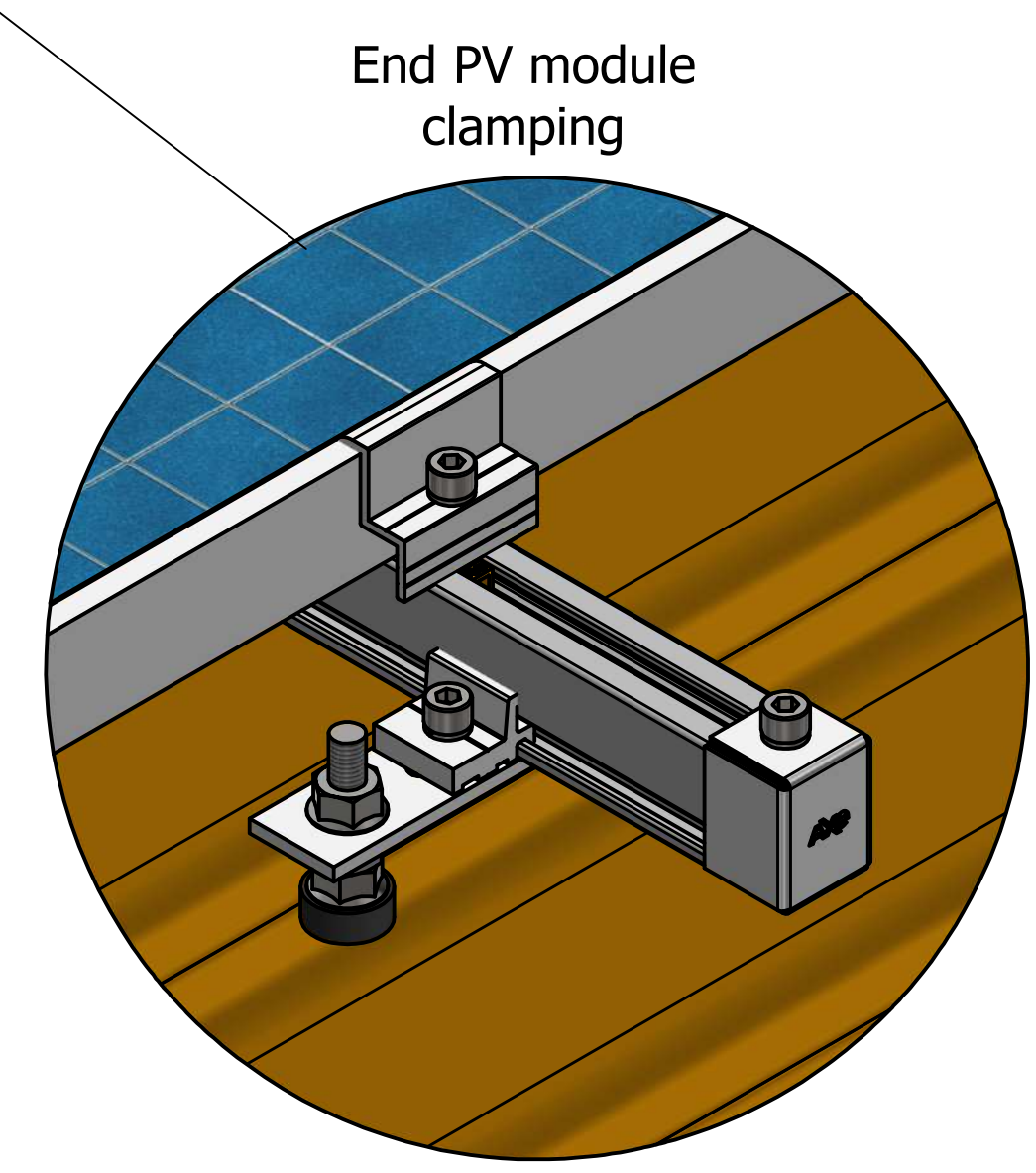
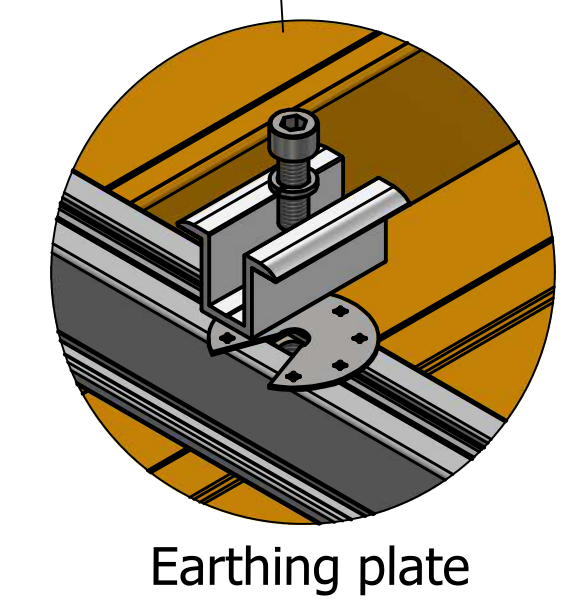
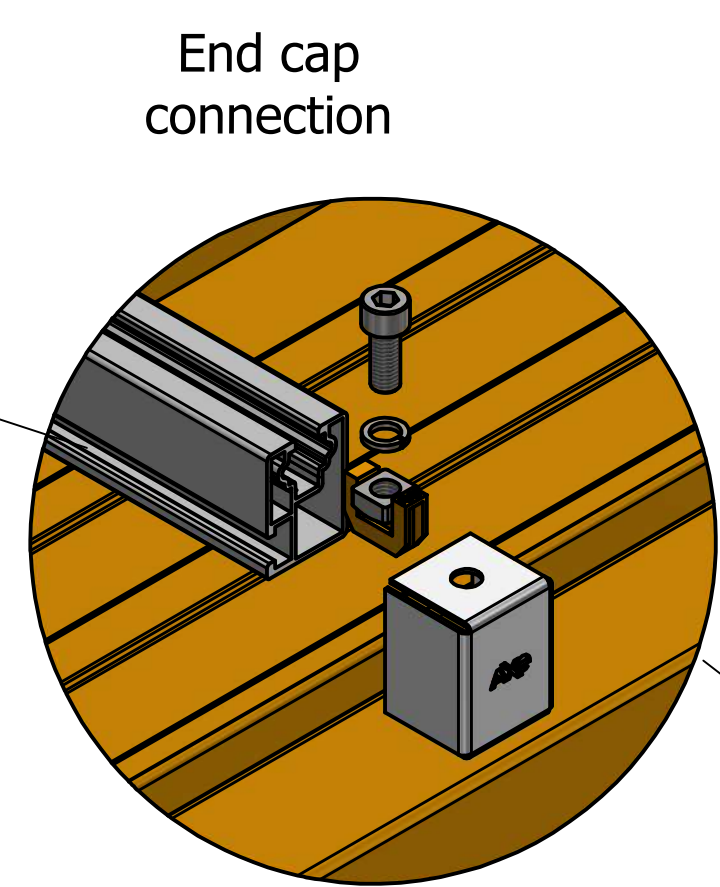
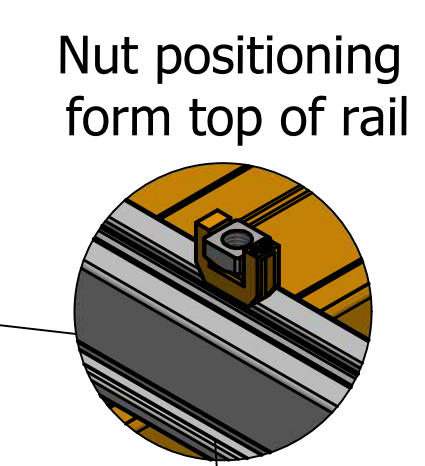
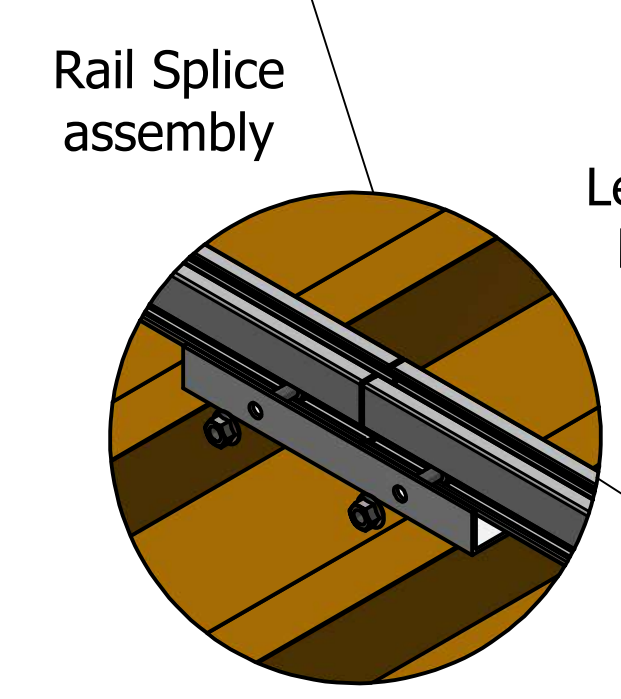


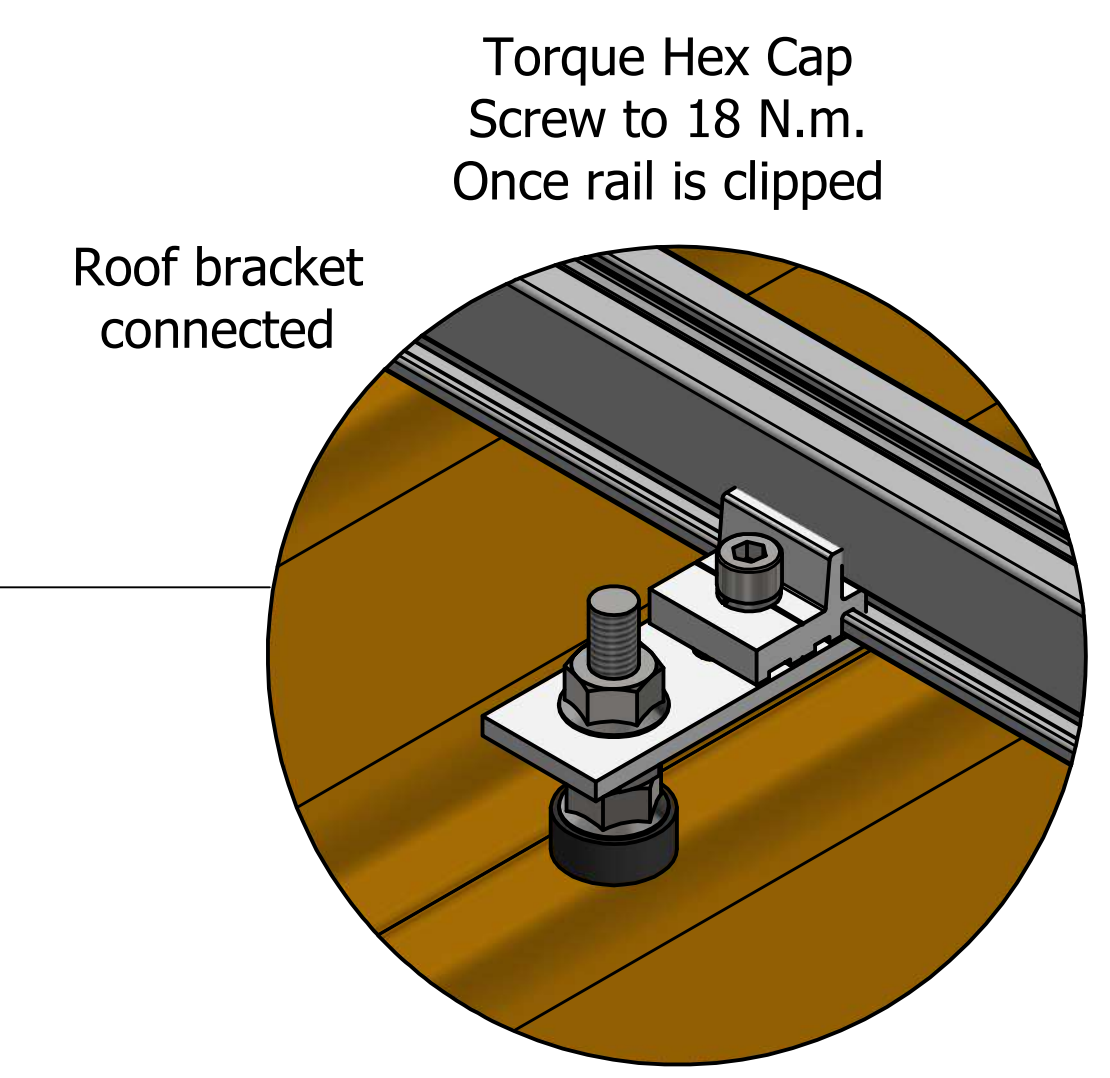
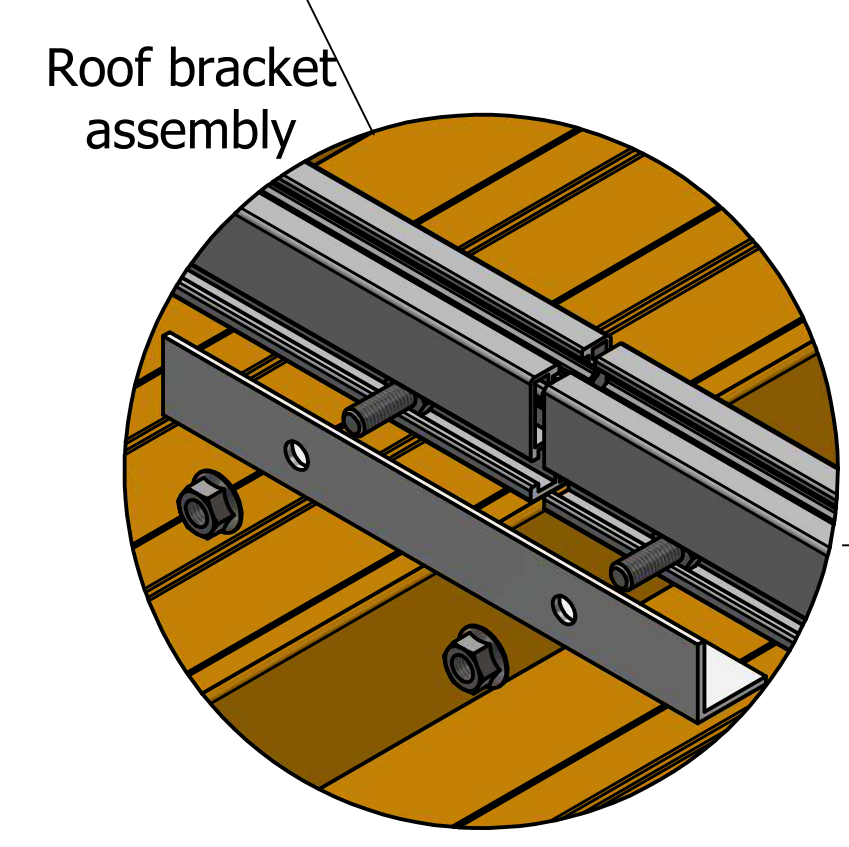
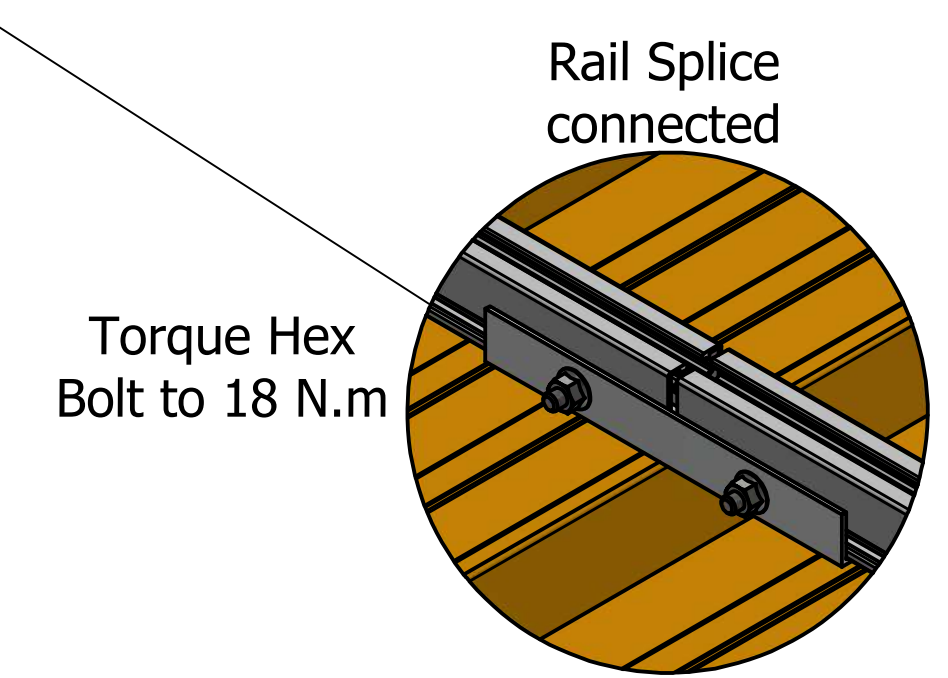
Torque Hex Cap Screw to 18 N.m



Torque Hex Cap Screw to 18 N.m



Leave 5mm gap between rails every 20m



AD_RT_RD_HB	Assembly Details - Roof Top Railed Hanger Bolt
C van Wyk	
Revision 1	
May 2022	