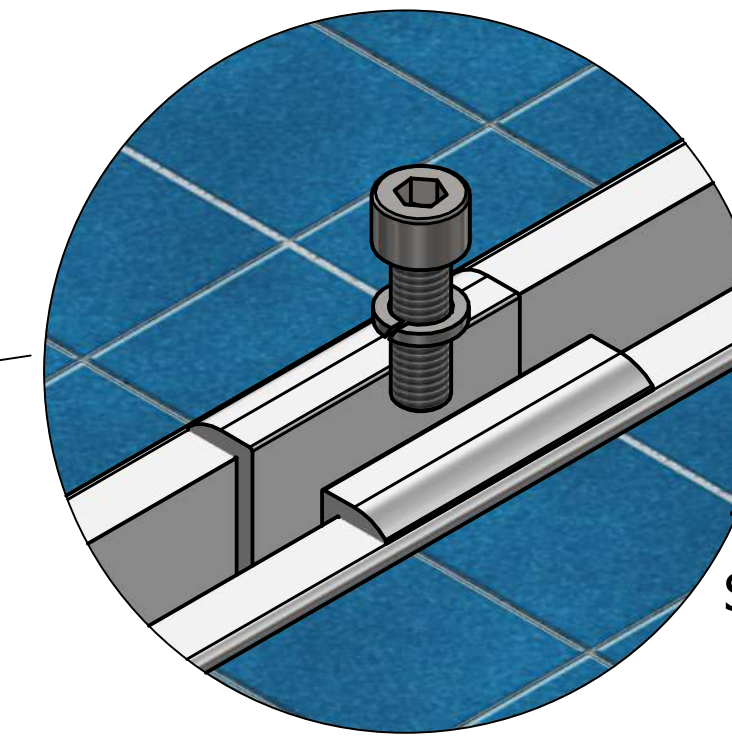
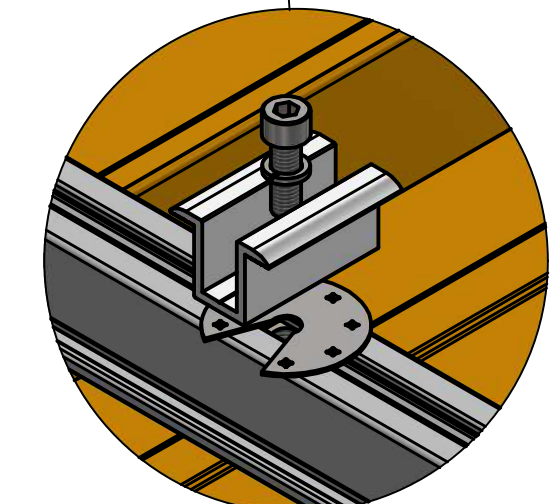
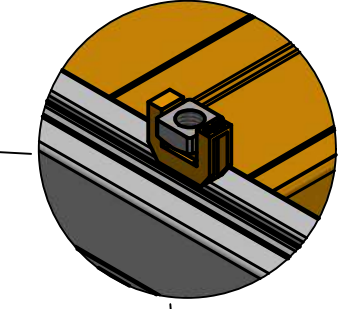


Mid PV module clamping



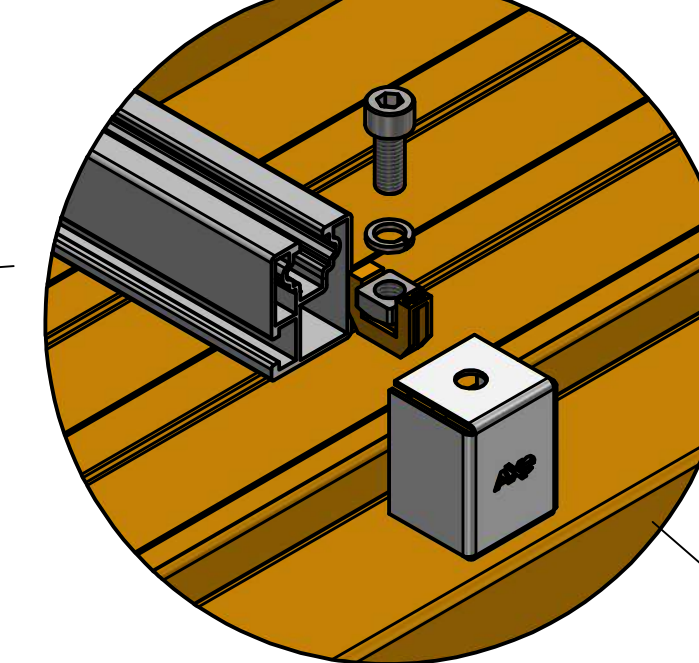
Torque Hex Cap Screw to 18 N.m

Nut positioning form top of rail

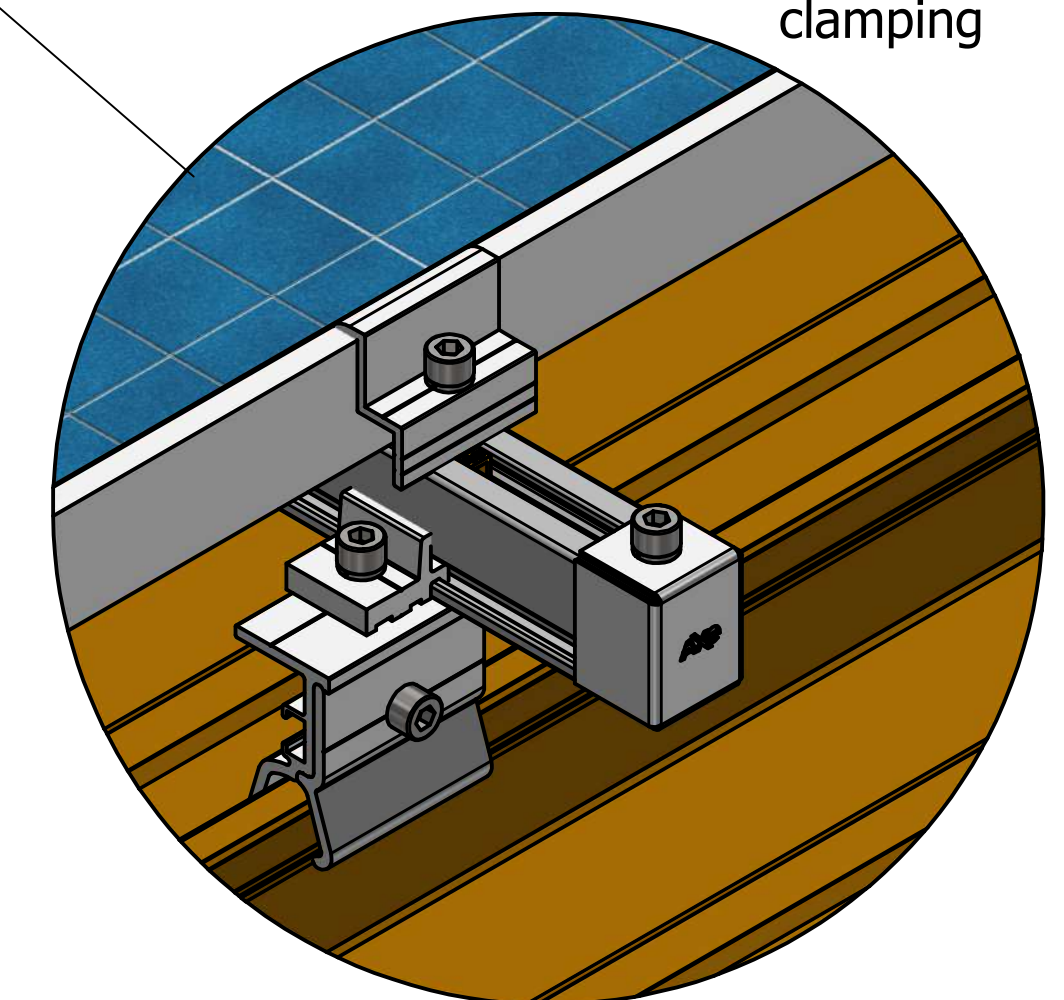


Earthing plate

End cap connection

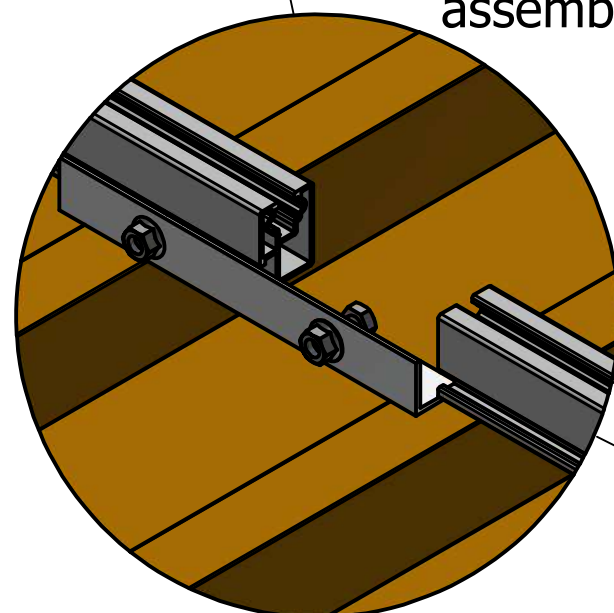


End PV module clamping



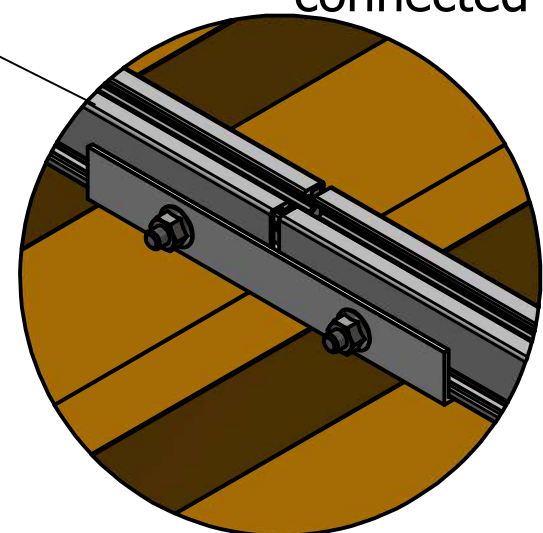
Torque Hex Cap Screw to 18 N.m

Rail Splice assembly



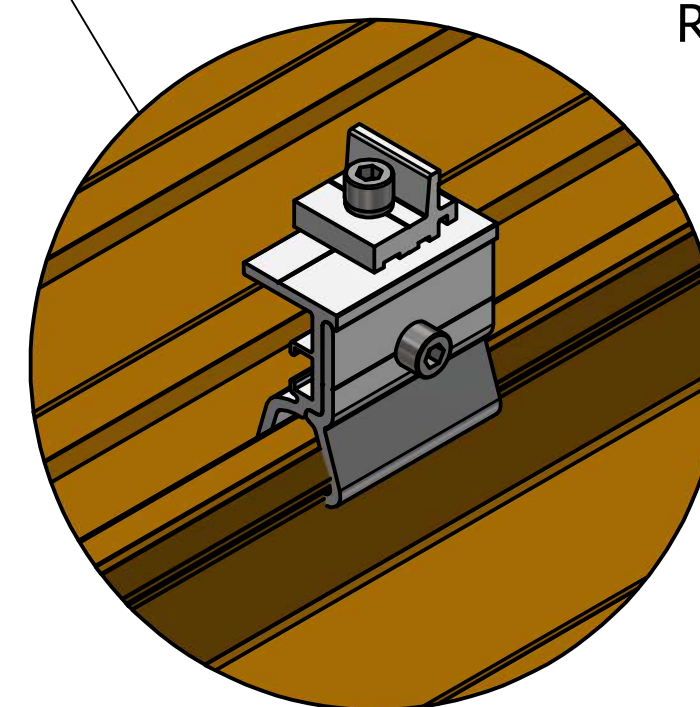
Leave 5mm gap between rails every 20m

Rail Splice connected



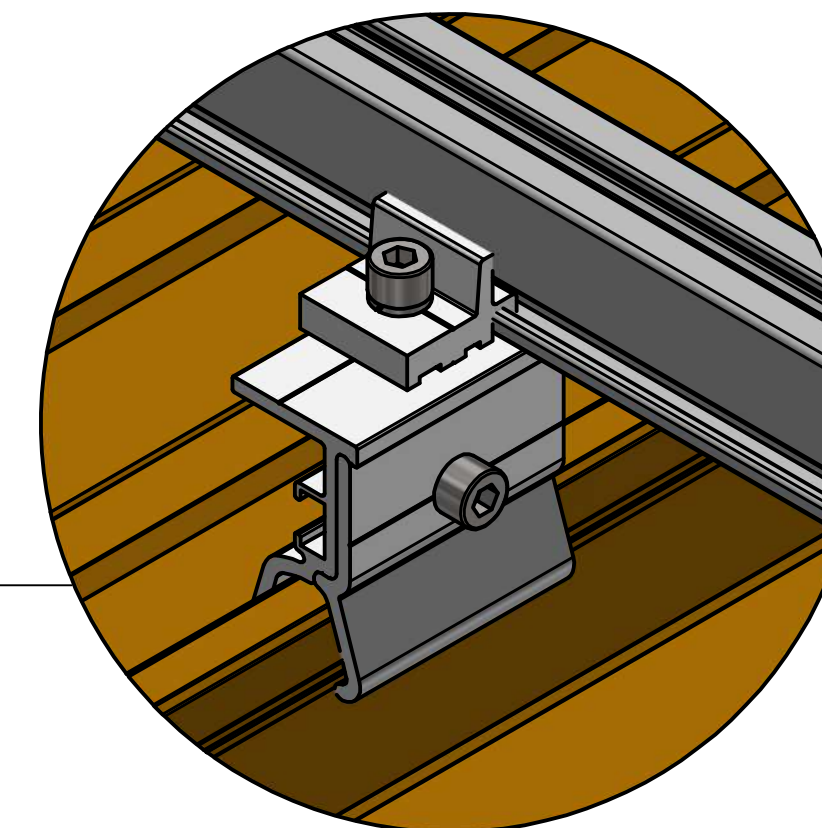
Torque Hex Bolt to 18 N.m

Roof bracket assembly



Torque Hex Cap Screw to 18 N.m once Rail is clipped

Roof bracket connected



AD_RT_RD_FL	Assembly Details - Roof Top Railed Fix Lok
A Brewis	
Revision 1	
Okt 2022	