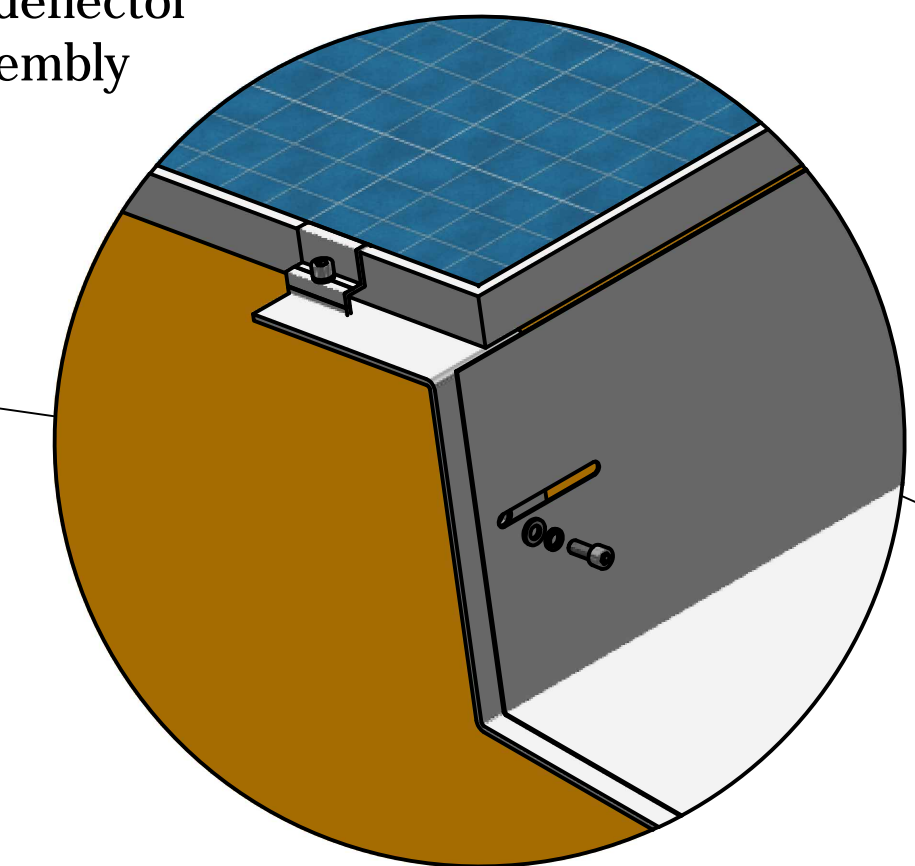
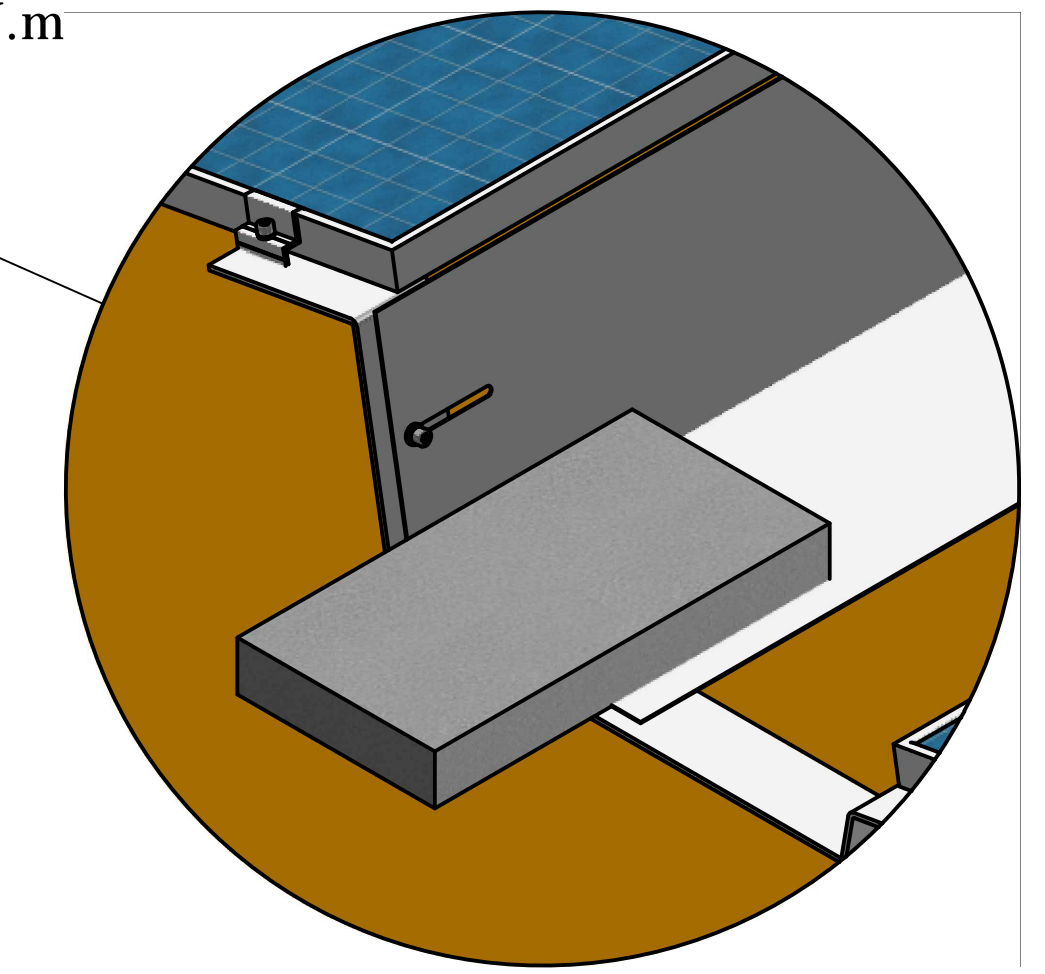


Wind deflector assembly

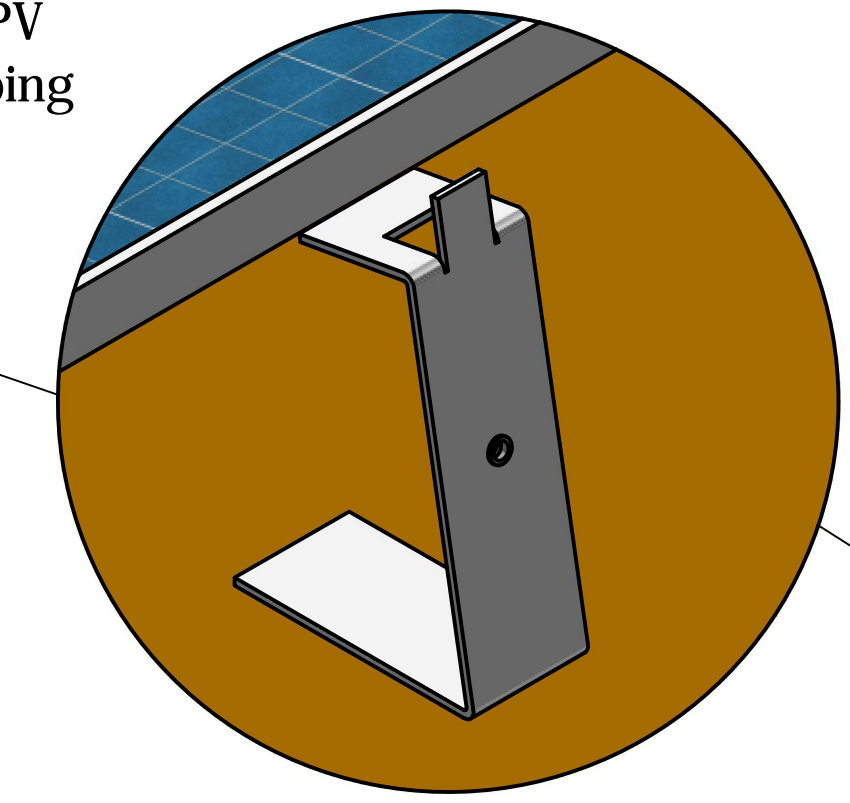


Torque Hex Cap Screw to 18 N.m

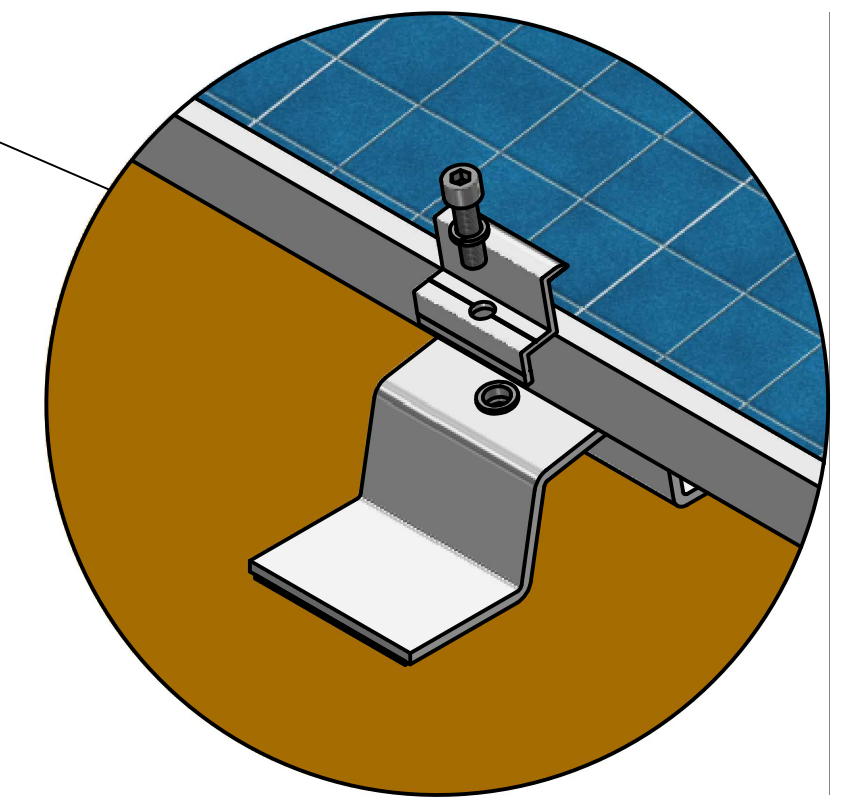
Wind deflector connected



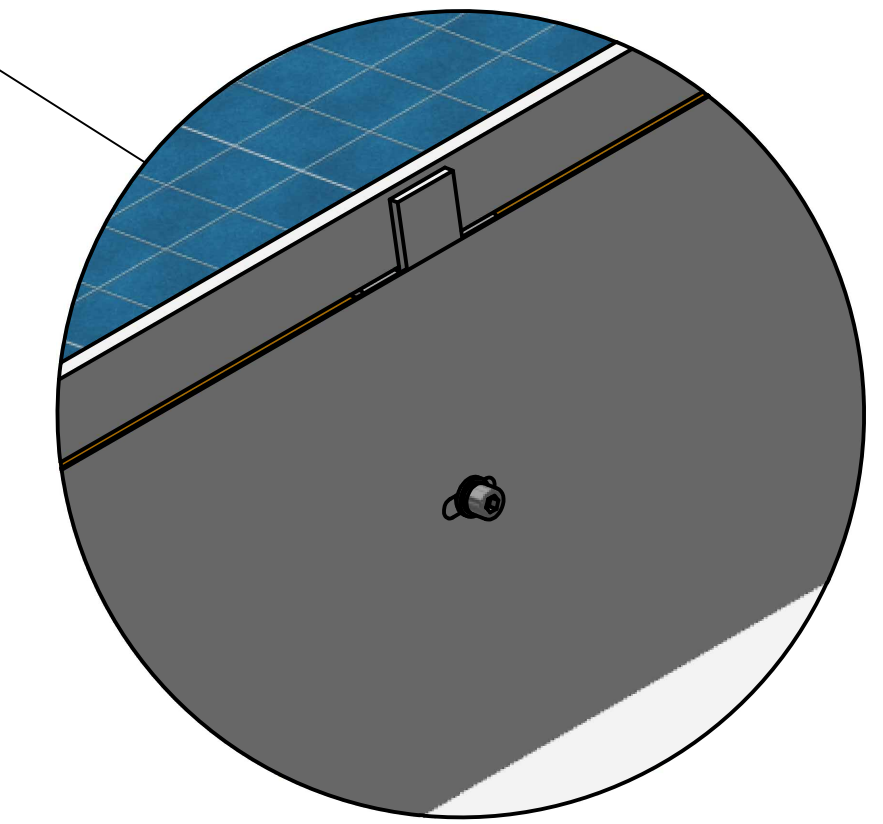
Back center PV module clamping



Front center PV module clamping

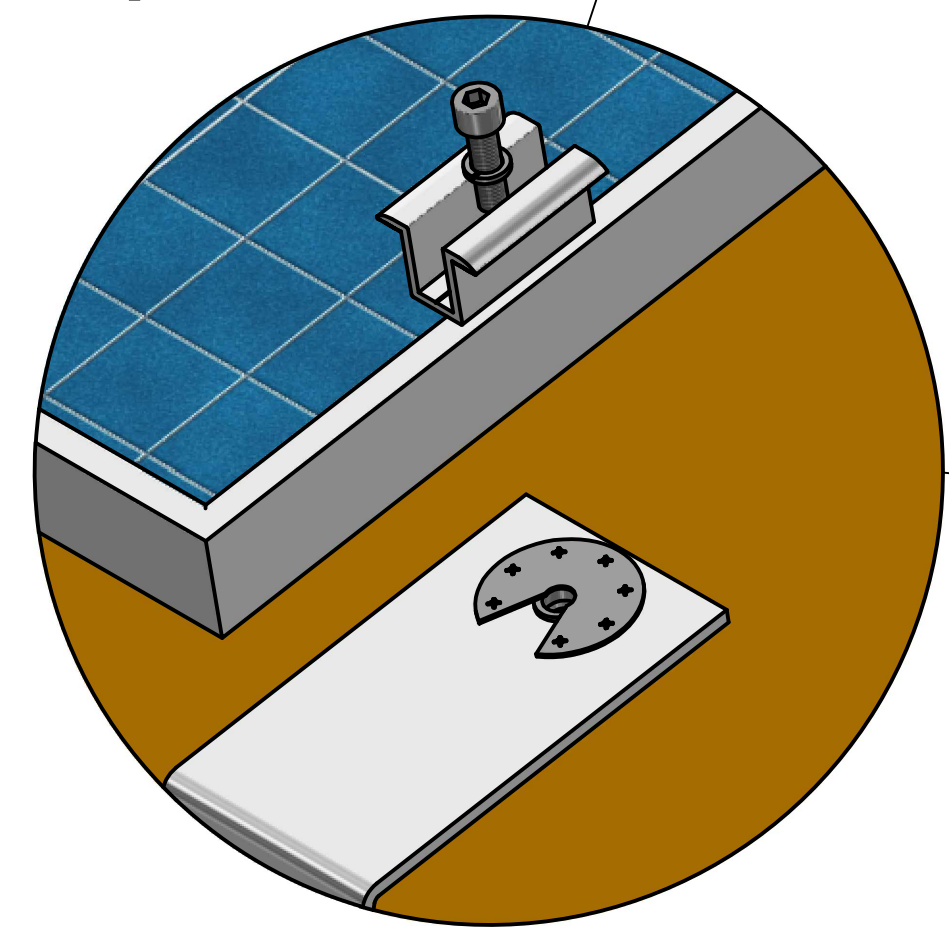


Back center bracket connected



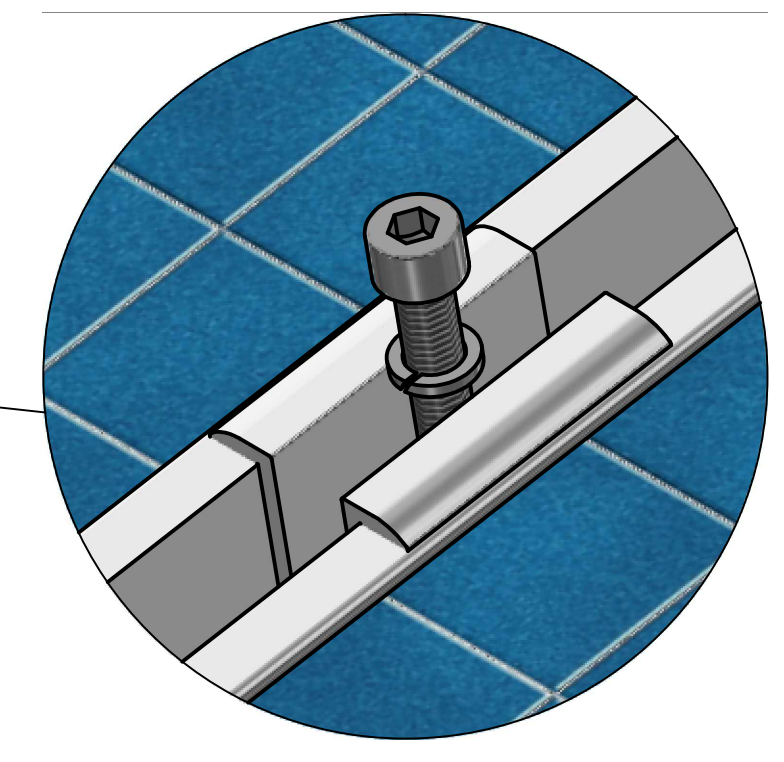
Torque Hex Cap Screw to 18 N.m

Earthing plate

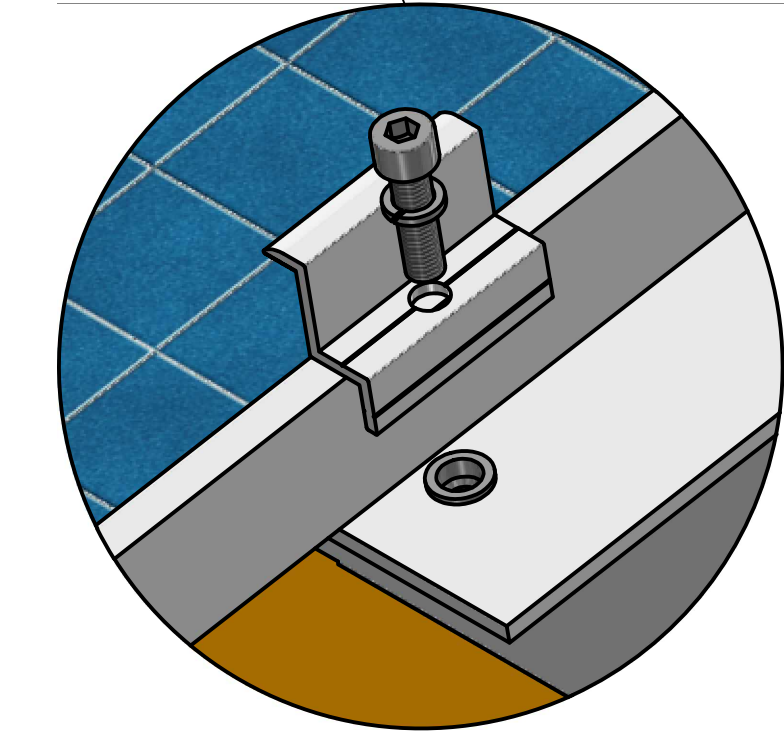


Torque Hex Cap Screw to 18 N.m

Mid PV module clamping



End PV module clamping



Torque Hex Cap Screw to 18 N.m

AD_RT_BL_RL_R1	Assembly Details - Roof Top Ballast Railless
C van Wyk	
Revision 1	
August 2021	