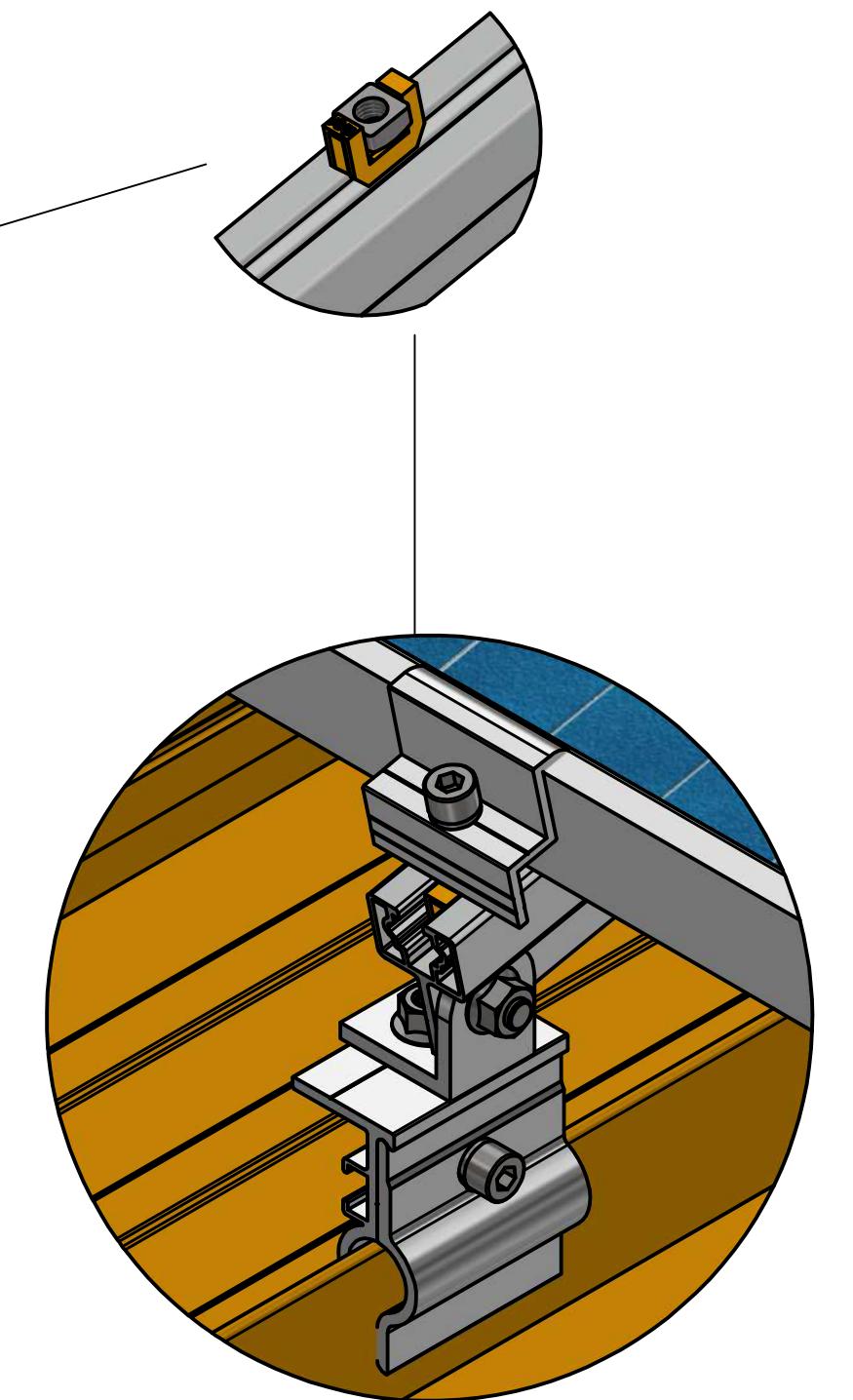
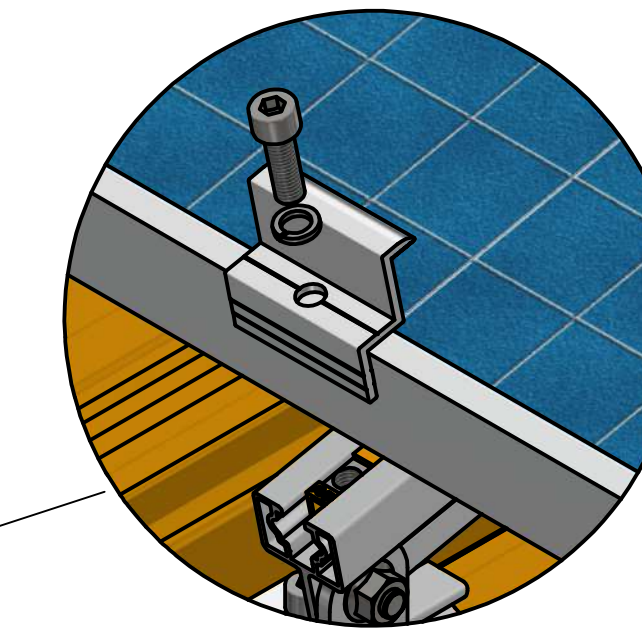
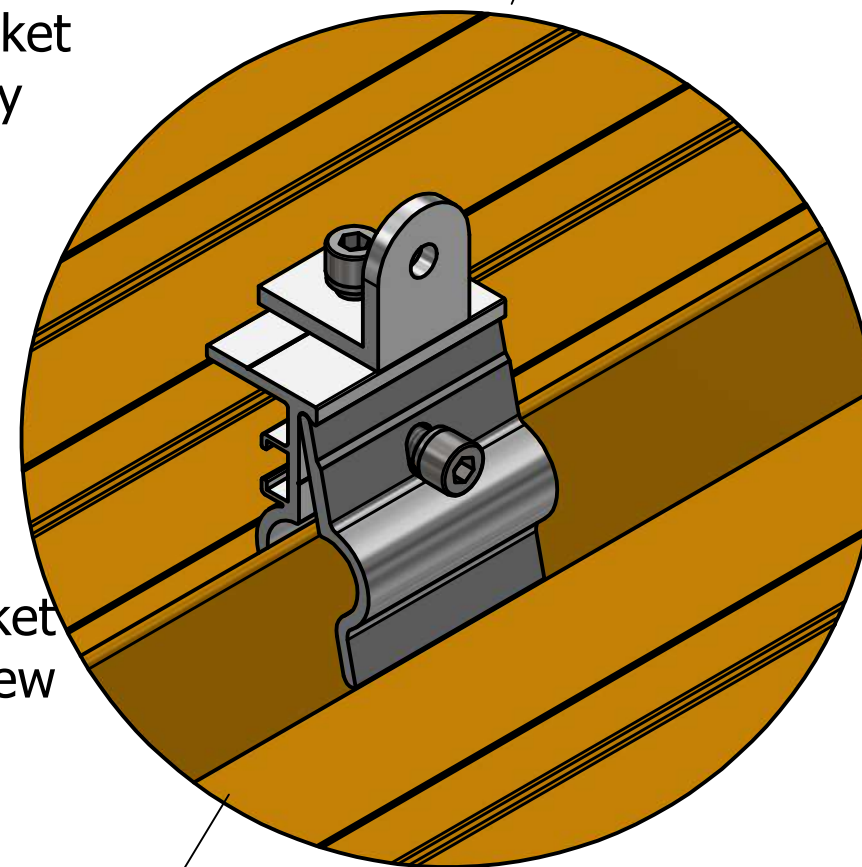


Nut positioning from top of rafter

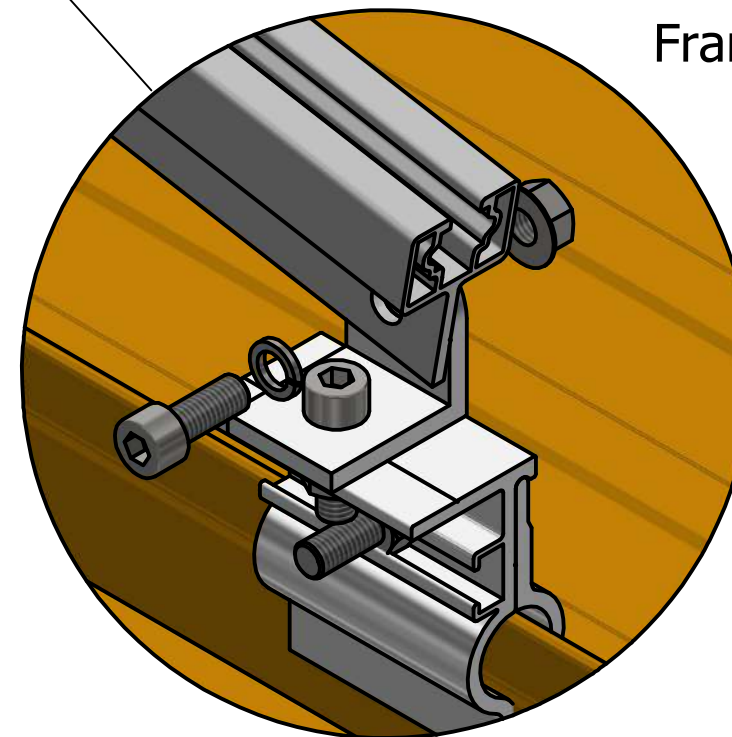


Roof bracket assembly



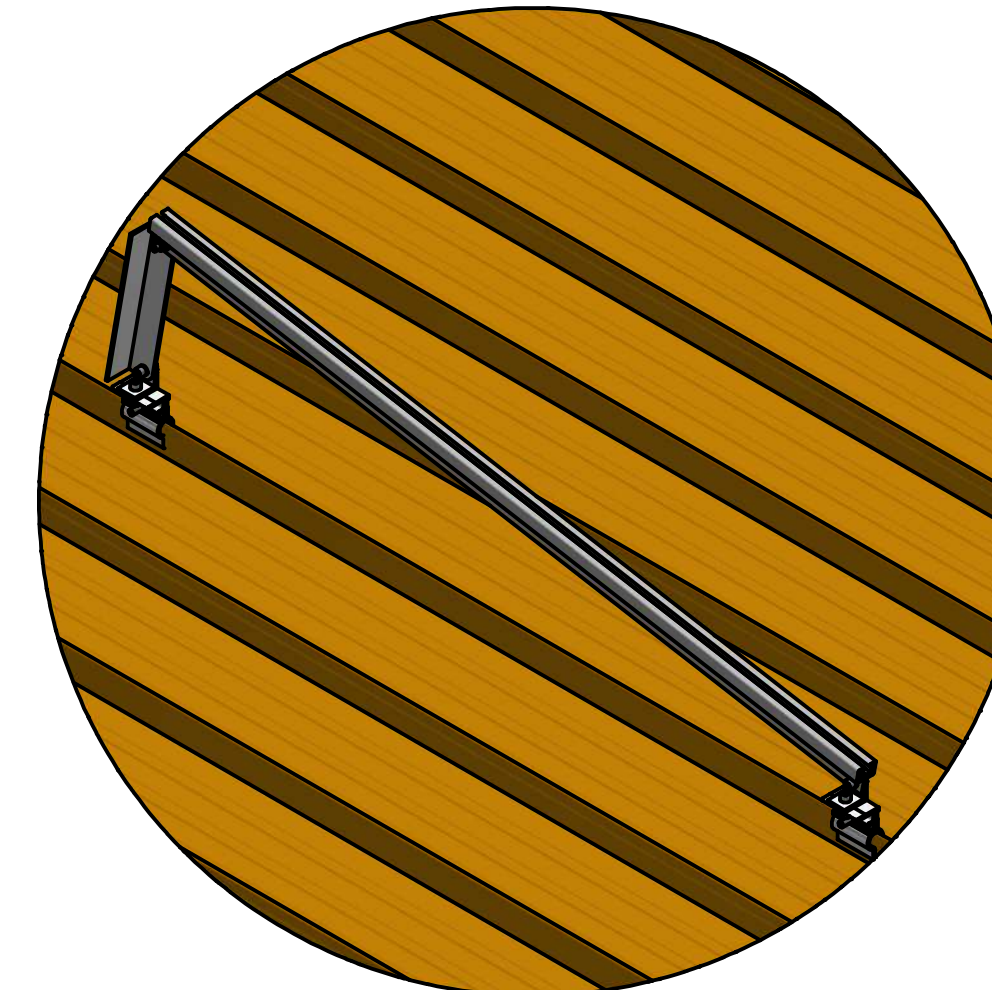
Torque bracket Hex-Cap Screw to 18 N.m

Frame - Roof bracket connection

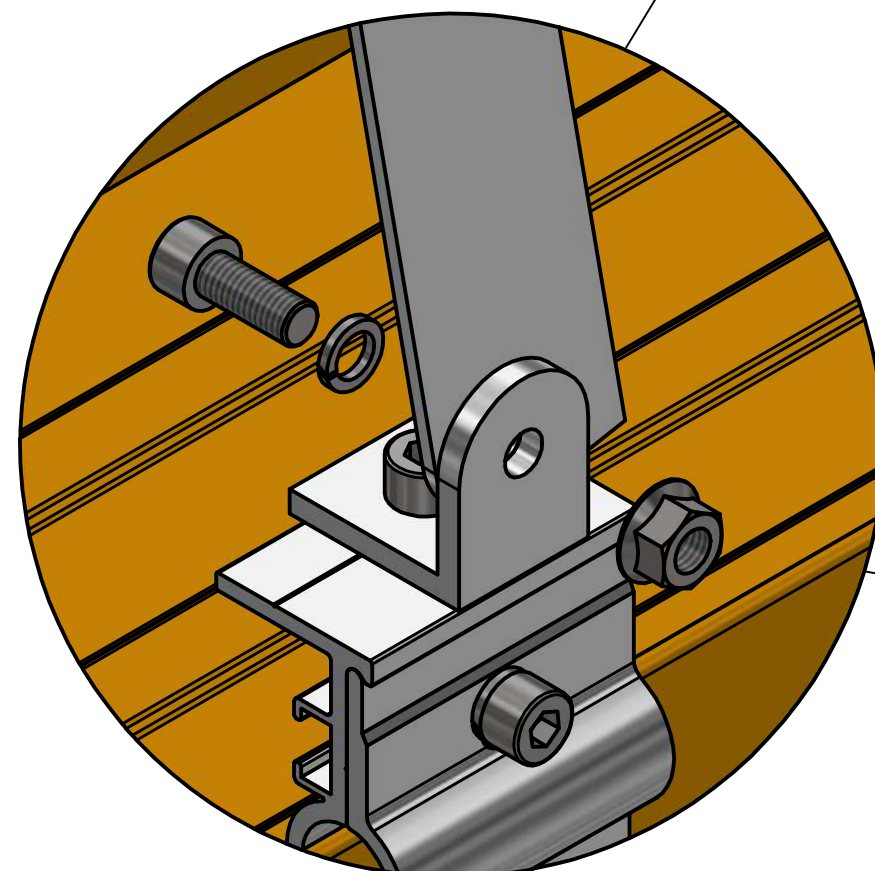


Torque Hex-Cap Screws to 18 N.m

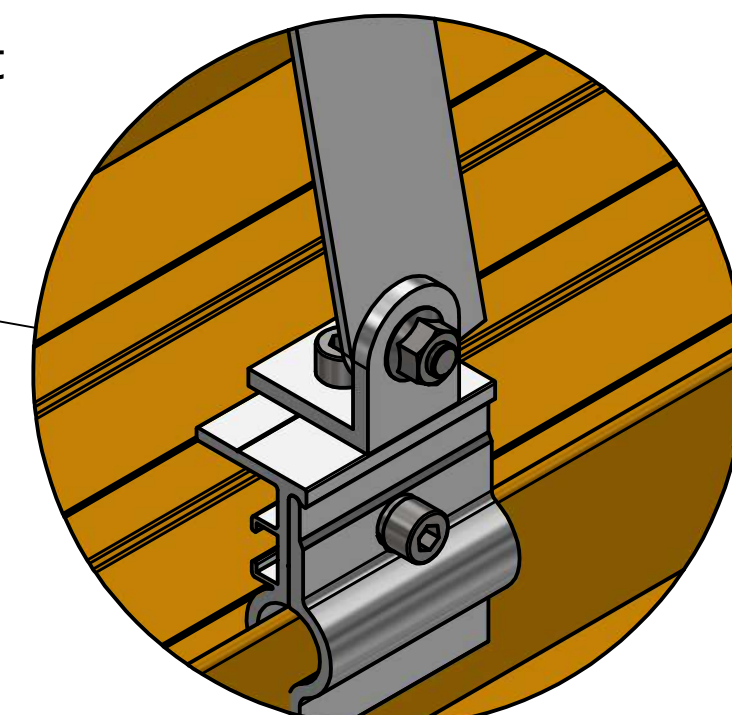
Angle Connected



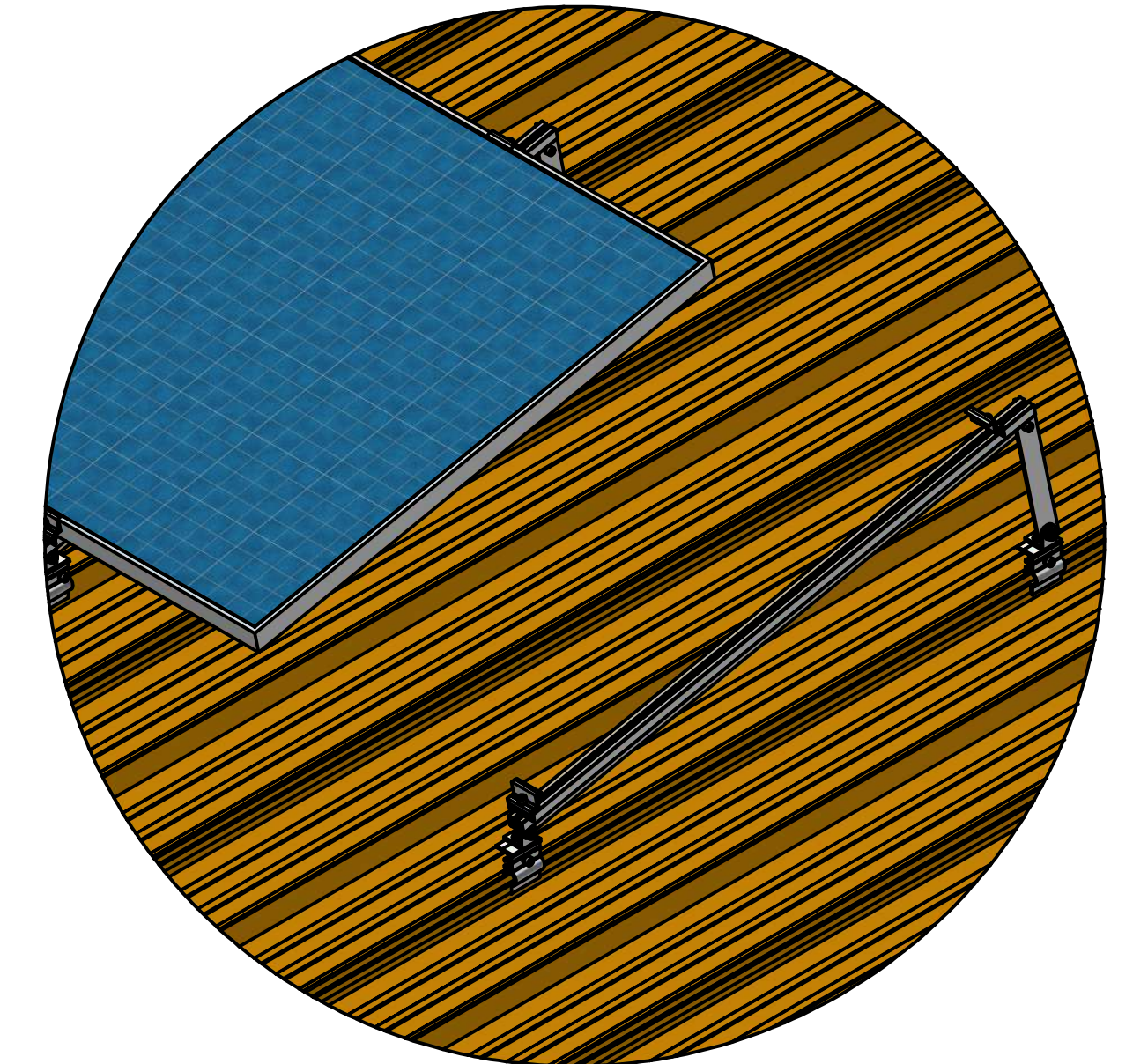
Frame - Roof bracket connection



Torque Hex-Cap Screw to 18 N.m



General Overview



AD_RT_ANG_RL_SR	Assembly Details - Roof Top Angled Railless Standing Rib
A Brewis	
Revision 1	
Okt 2022	