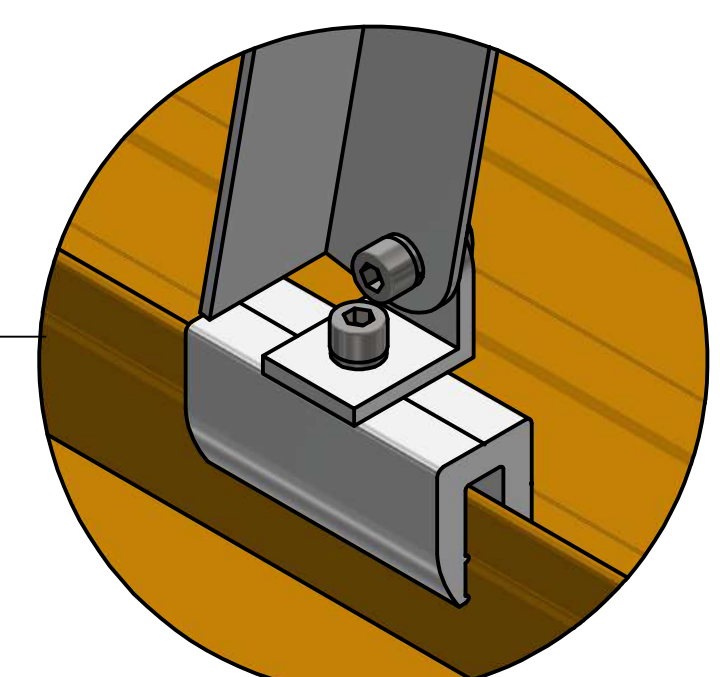
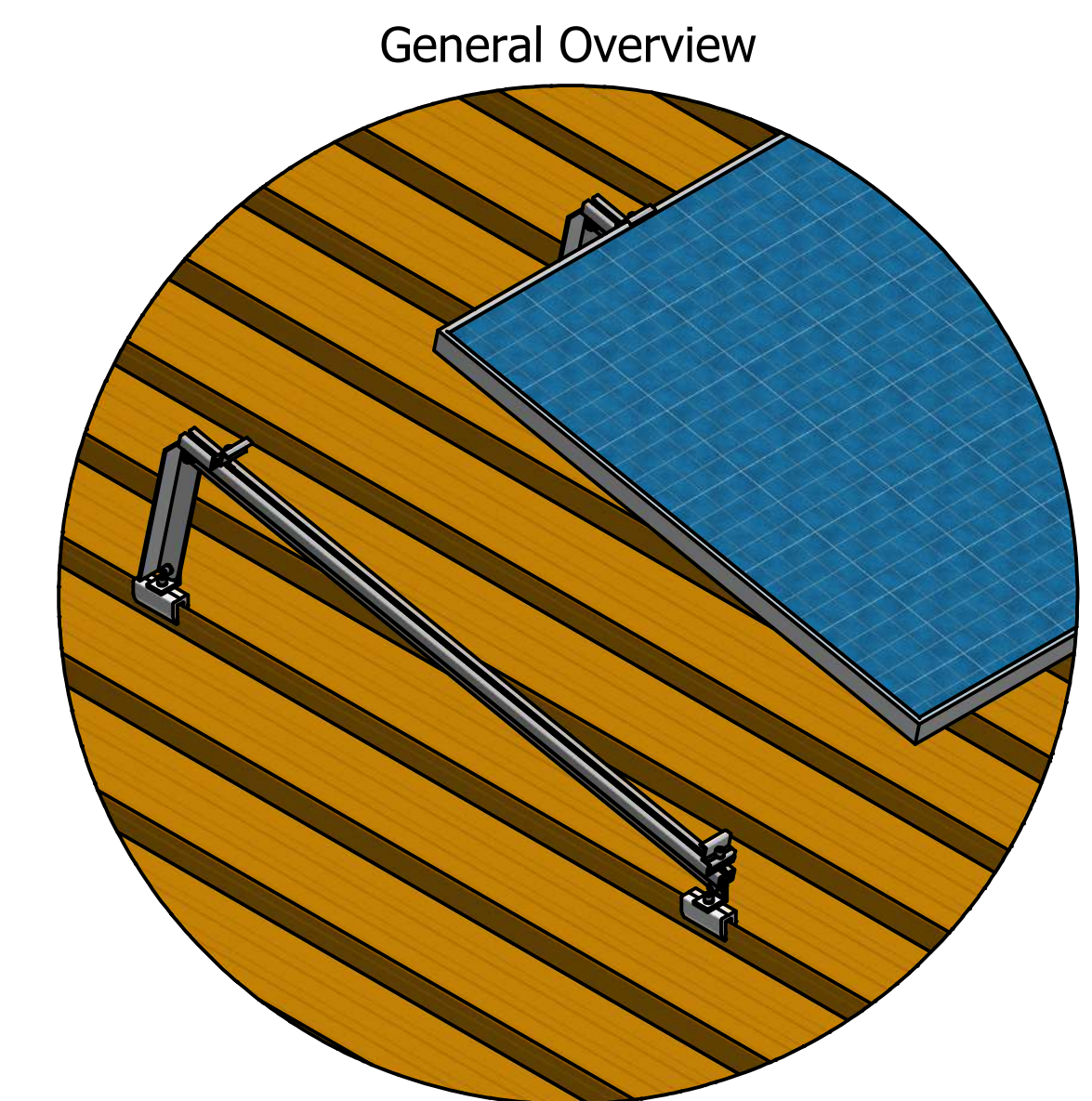
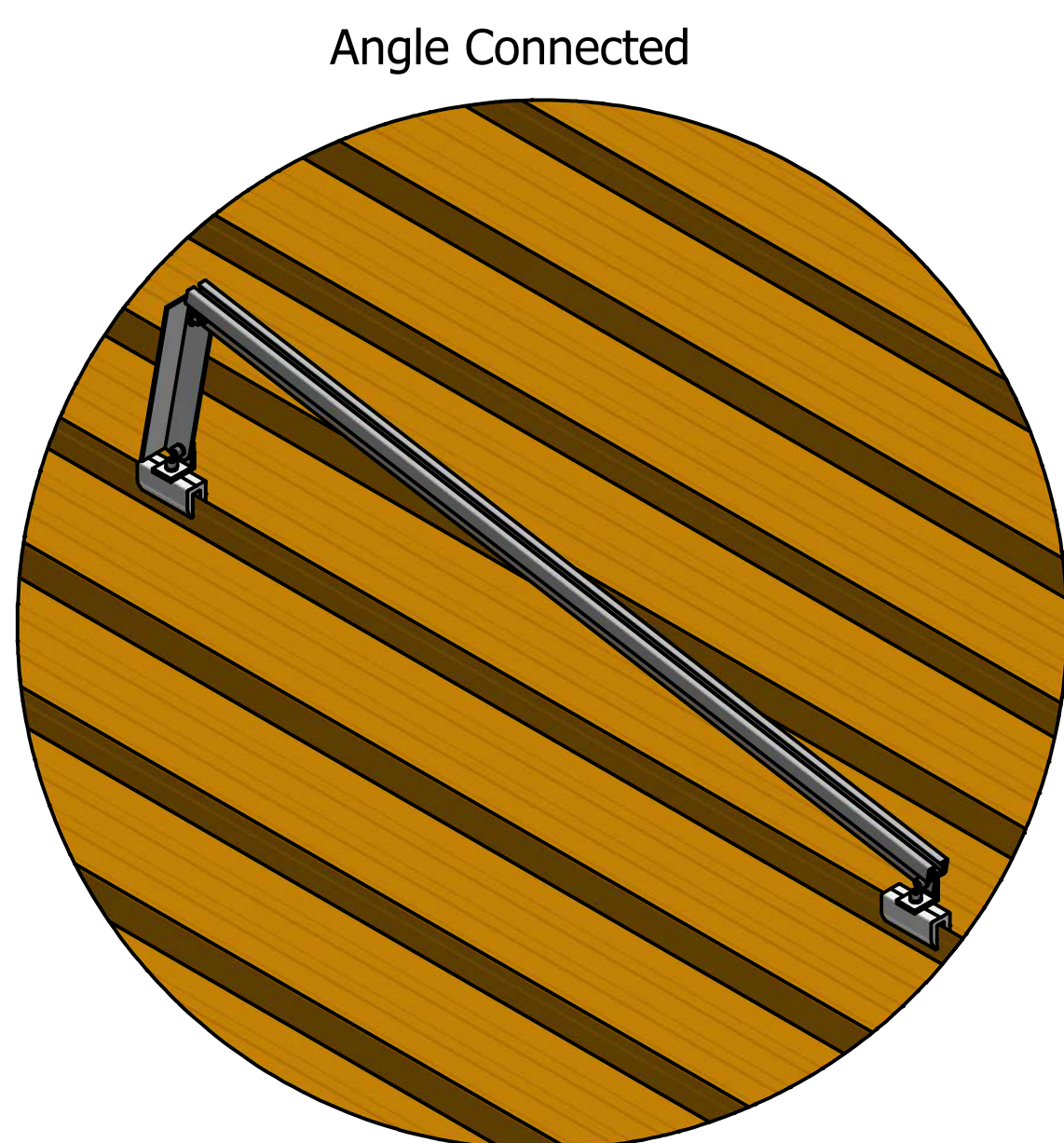


Frame - Roof bracket connection



Torque Hex-Cap Screw to 18 N.m



AD_RT_ANG_RL_PF_BB	Assembly Details - Roof Top Angled Railless Pinch Fix Brown Built
A Brewis	
Revision 1	
June 2022	