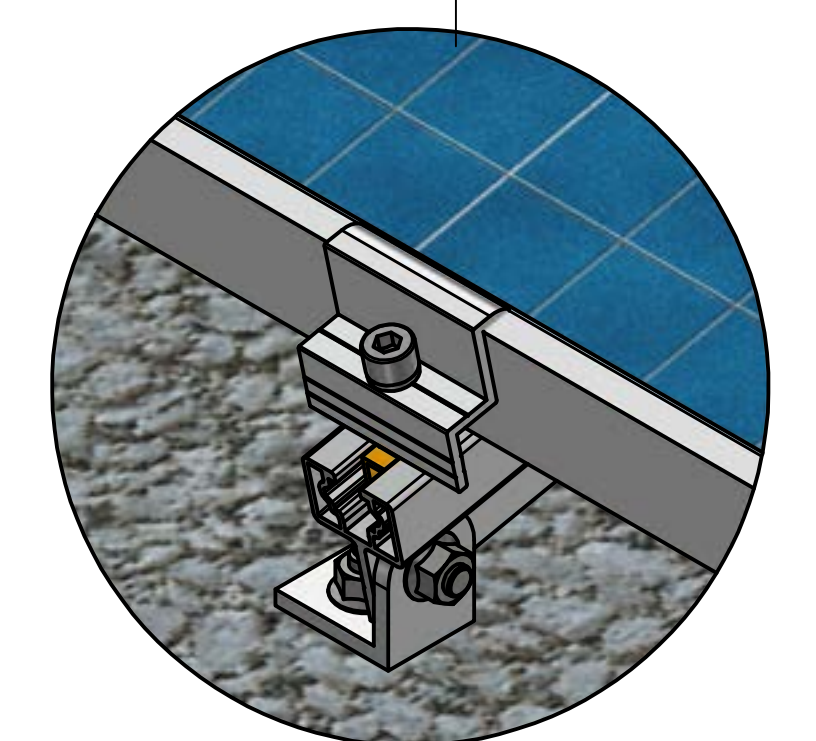
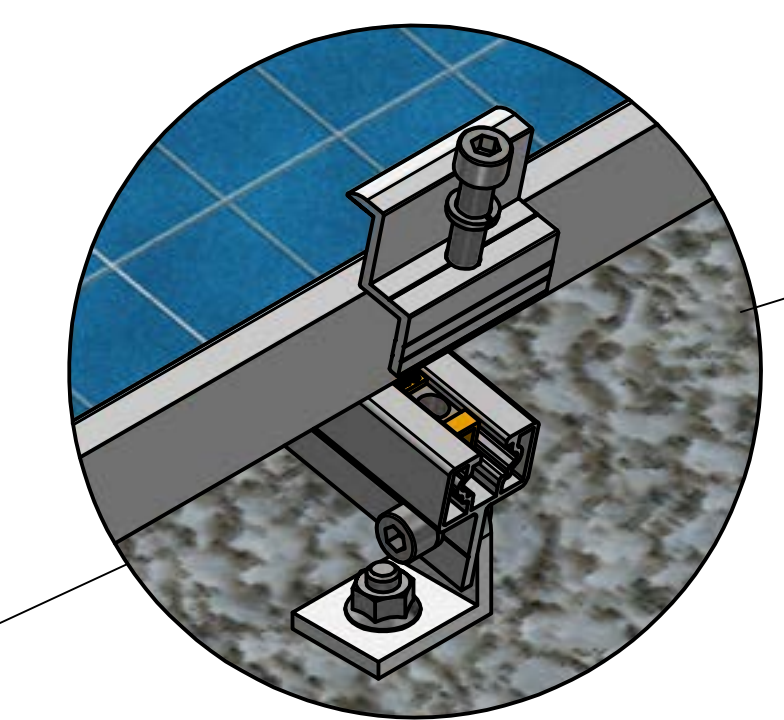
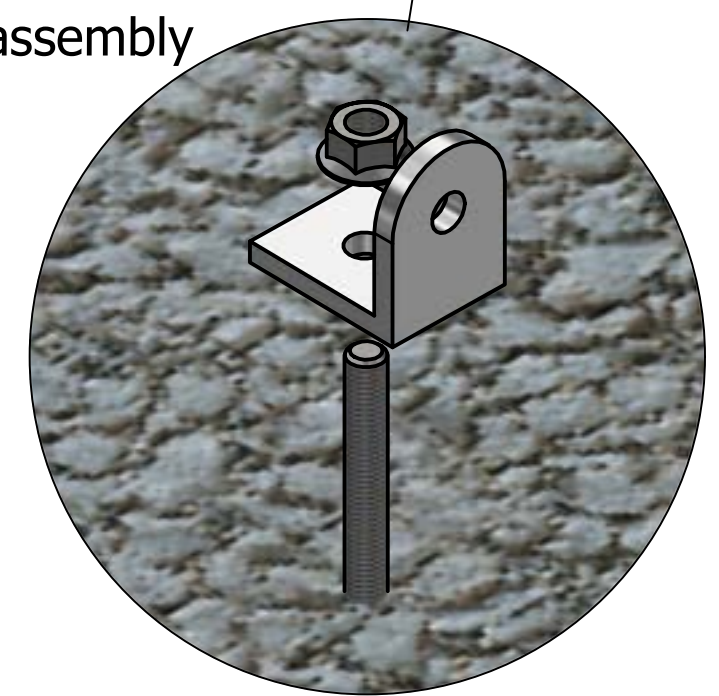


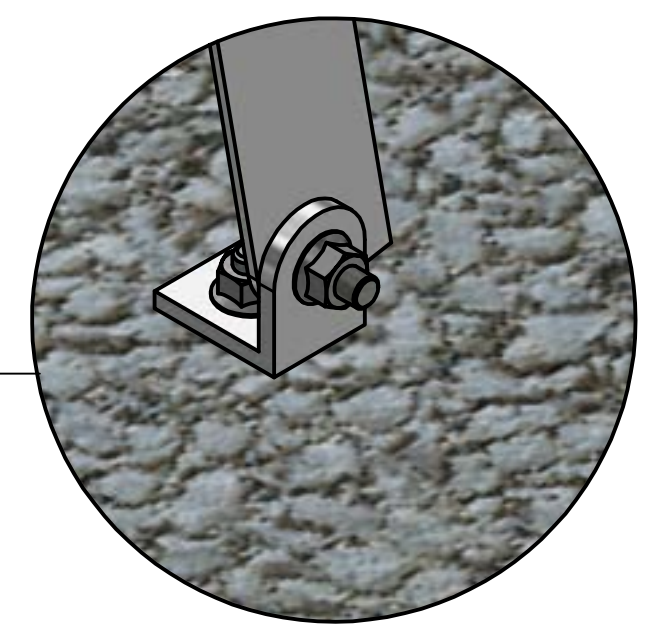
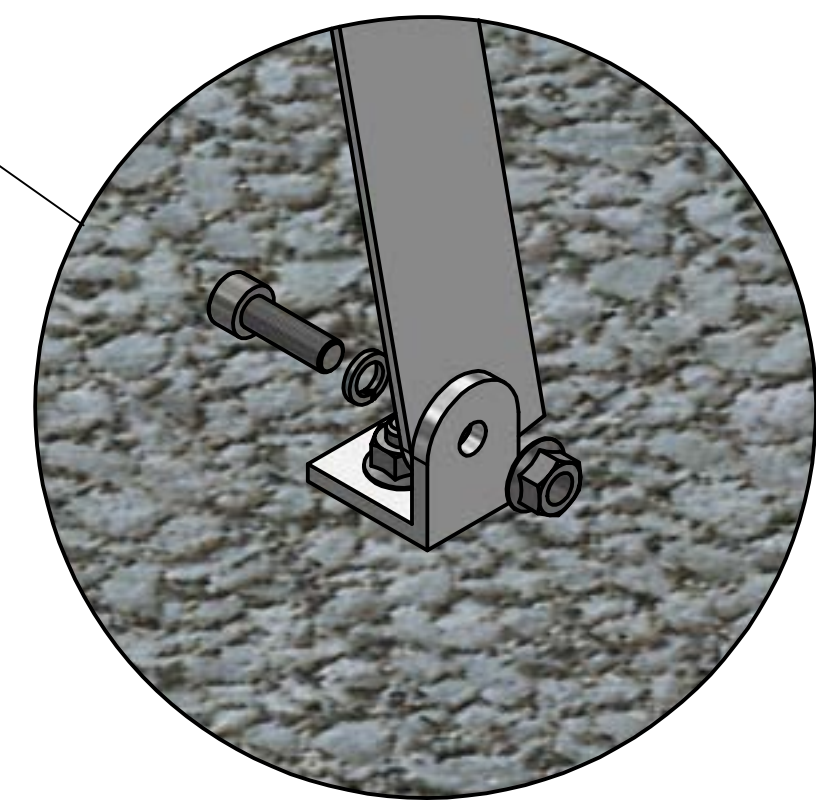
Nut positioning from top of rafter



Roof bracket assembly

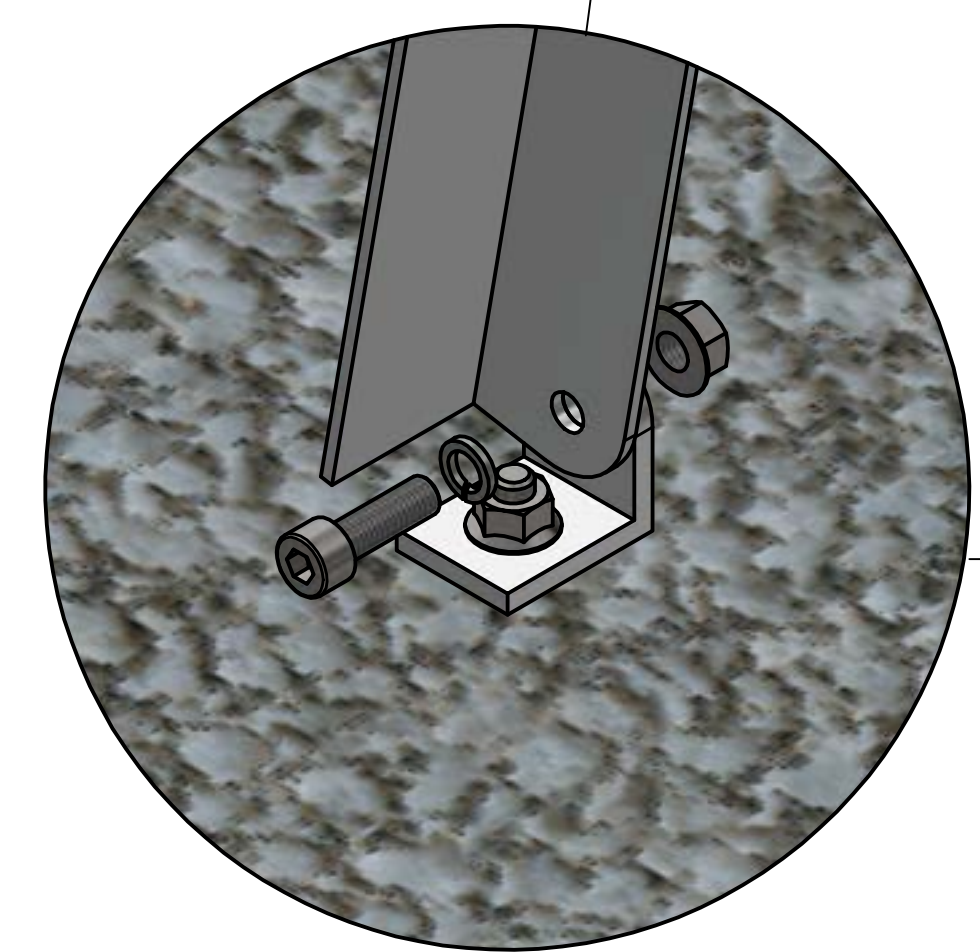


Frame - Roof Bracket connection

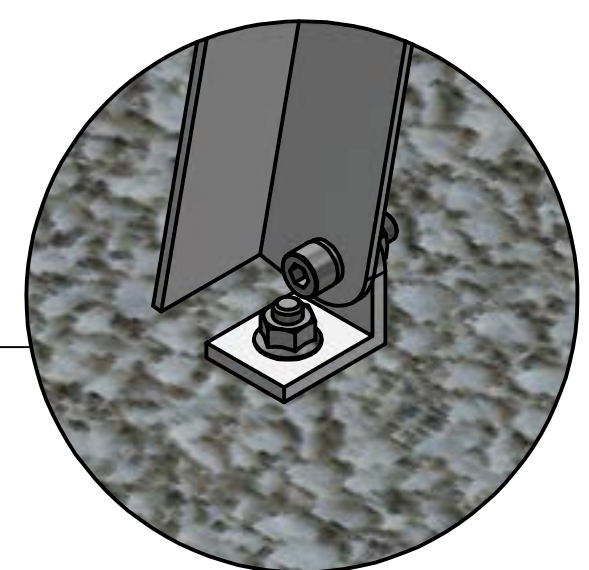


Torque Hex-Cap Screw to 18 N.m

Fix L-Bracket to threaded rod, Torque hex nut to 18 N.m

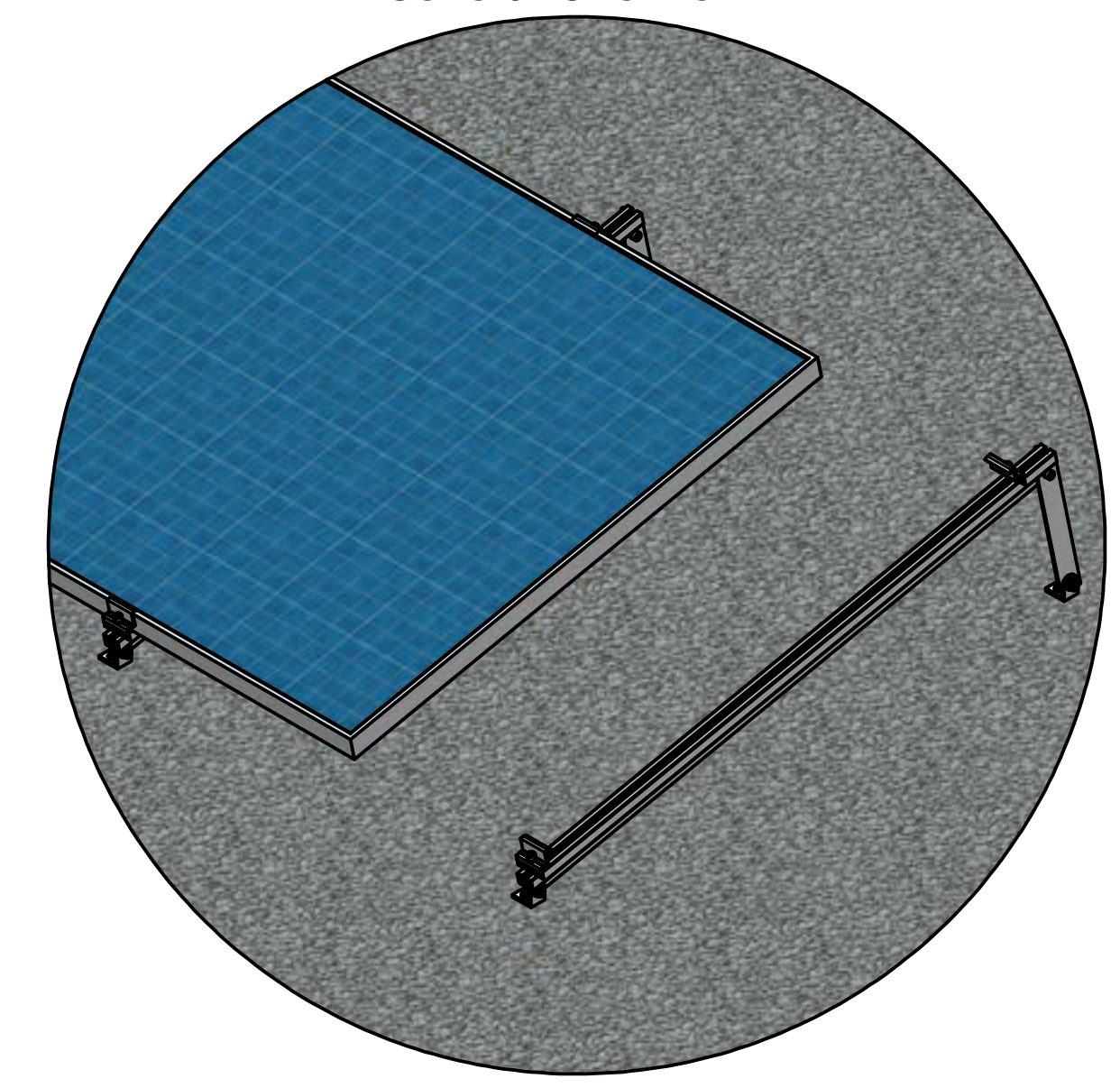


Frame - Roof Bracket connection

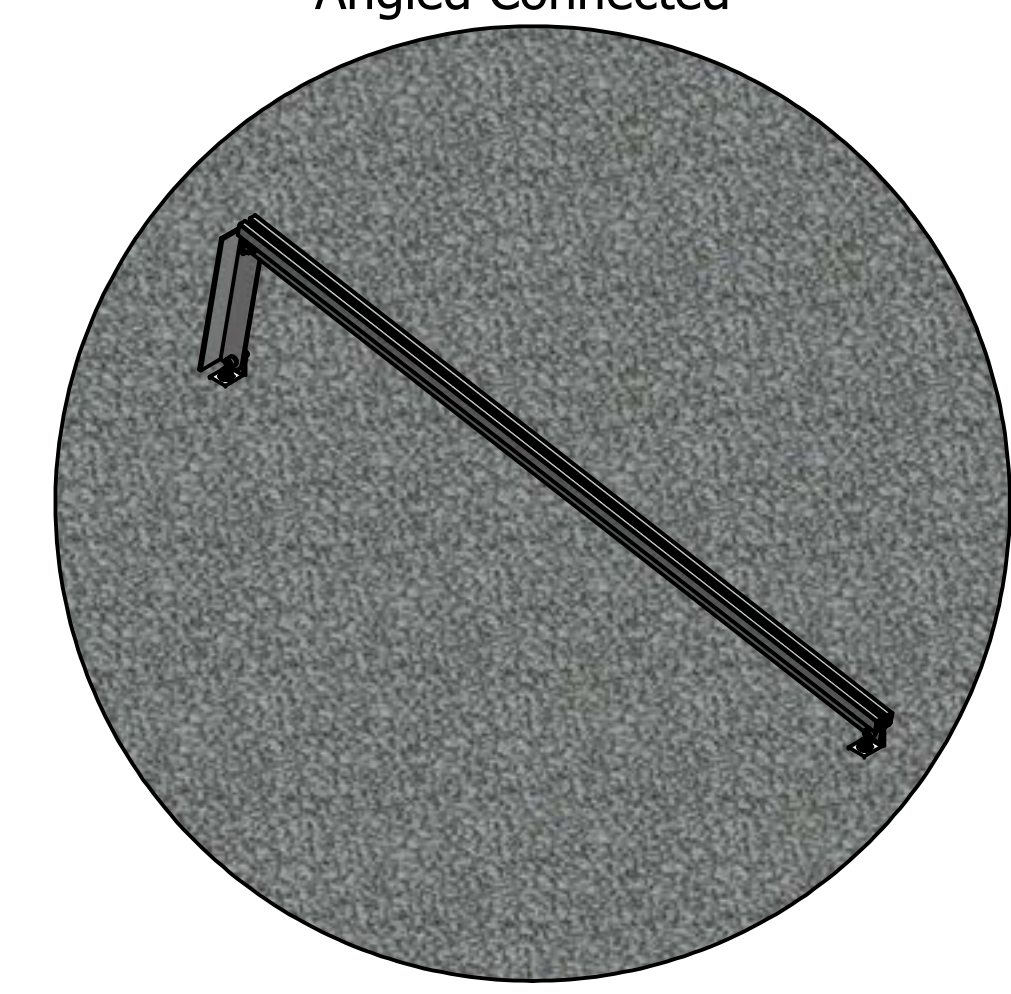


Torque Hex-Cap Screw to 18 N.m

General Overview



Angled Connected



AD_RT_ANG_RL_L-F	Assembly Details - Roof Top Angled Railless L-Bracket Fixed
A Brewis	
Revision 1	
June 2022	