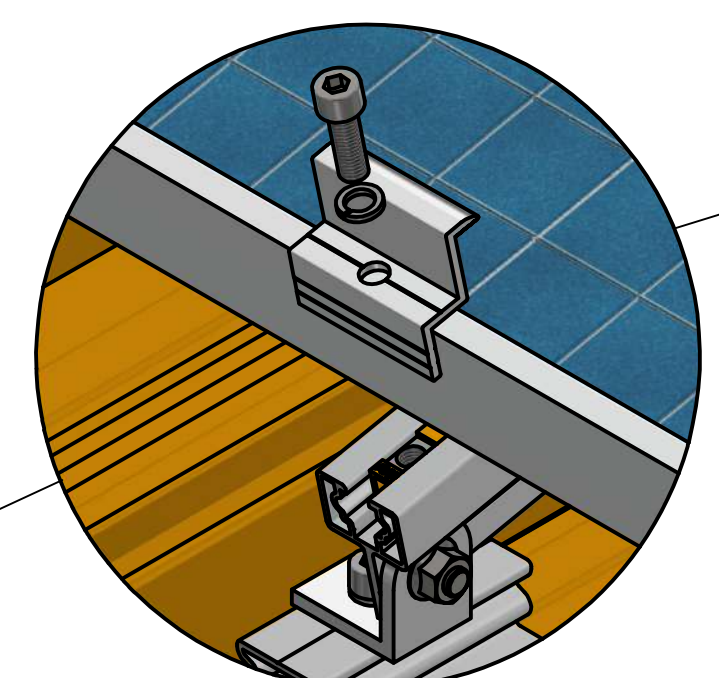
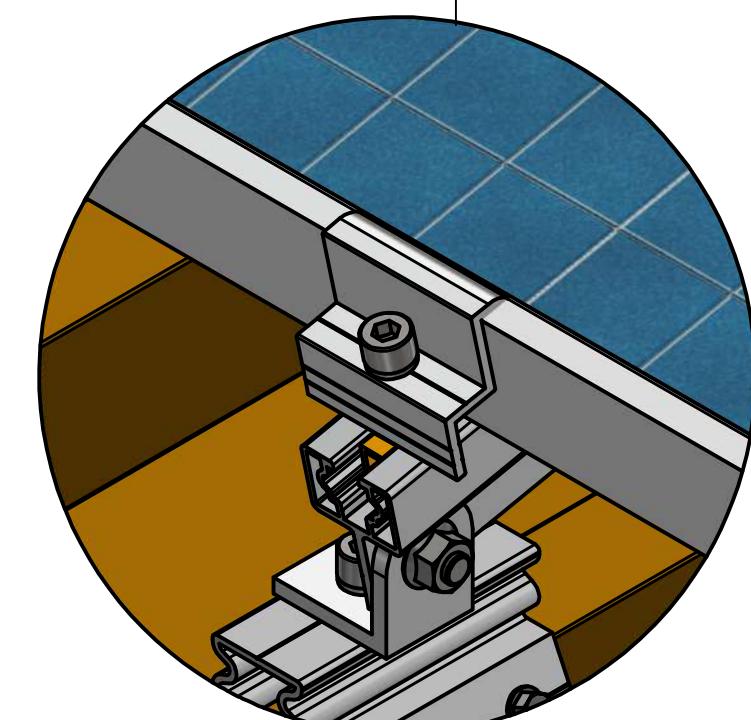


Nut positioning from top of rafter

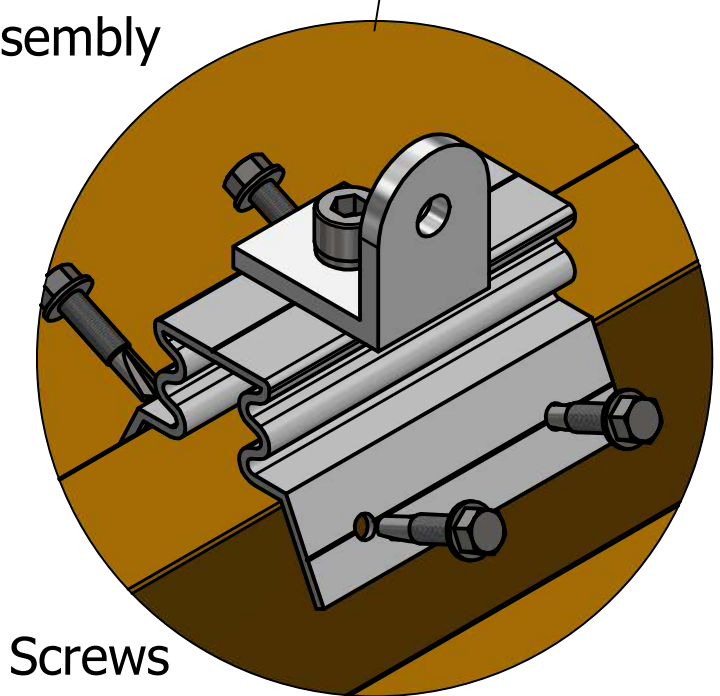


End PV module clamping



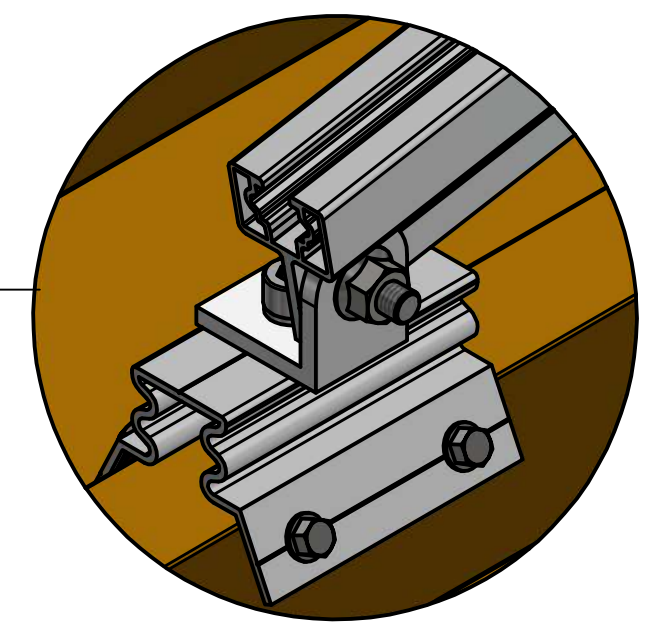
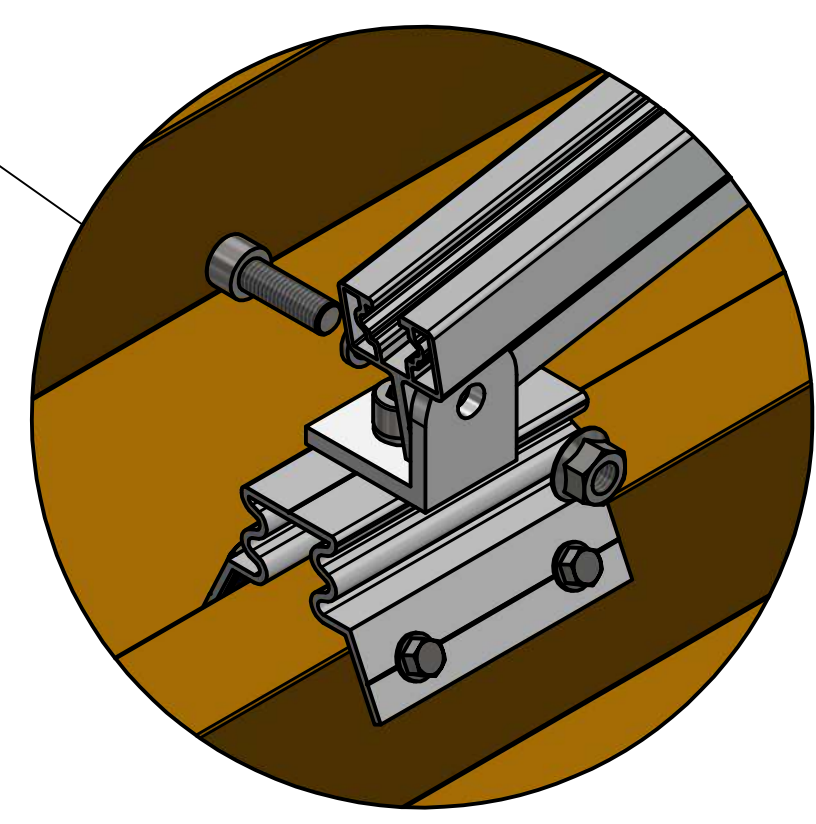
Torque Hex-Cap Screw to 18 N.m

Roof bracket assembly



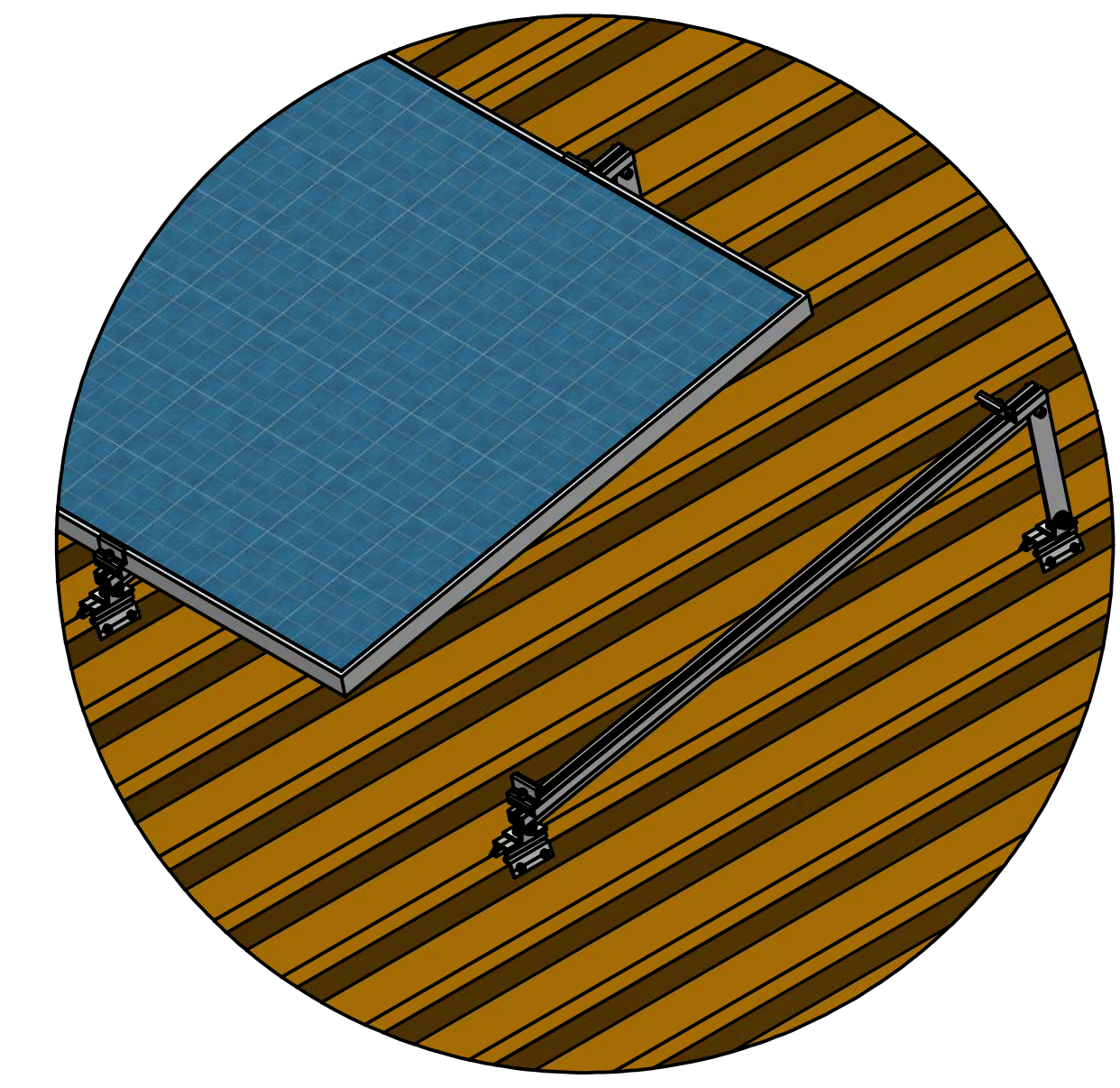
Drill tek Screws Through Pilot holes. Torque Hex-Cap Screw to 18 N.m

Frame - Roof Bracket connection

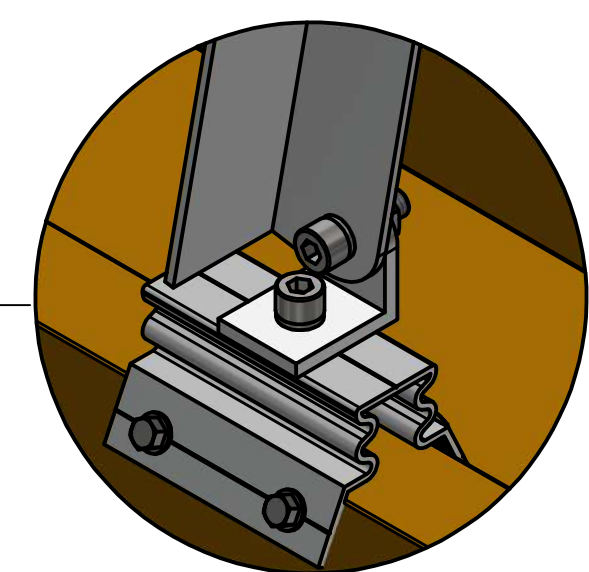
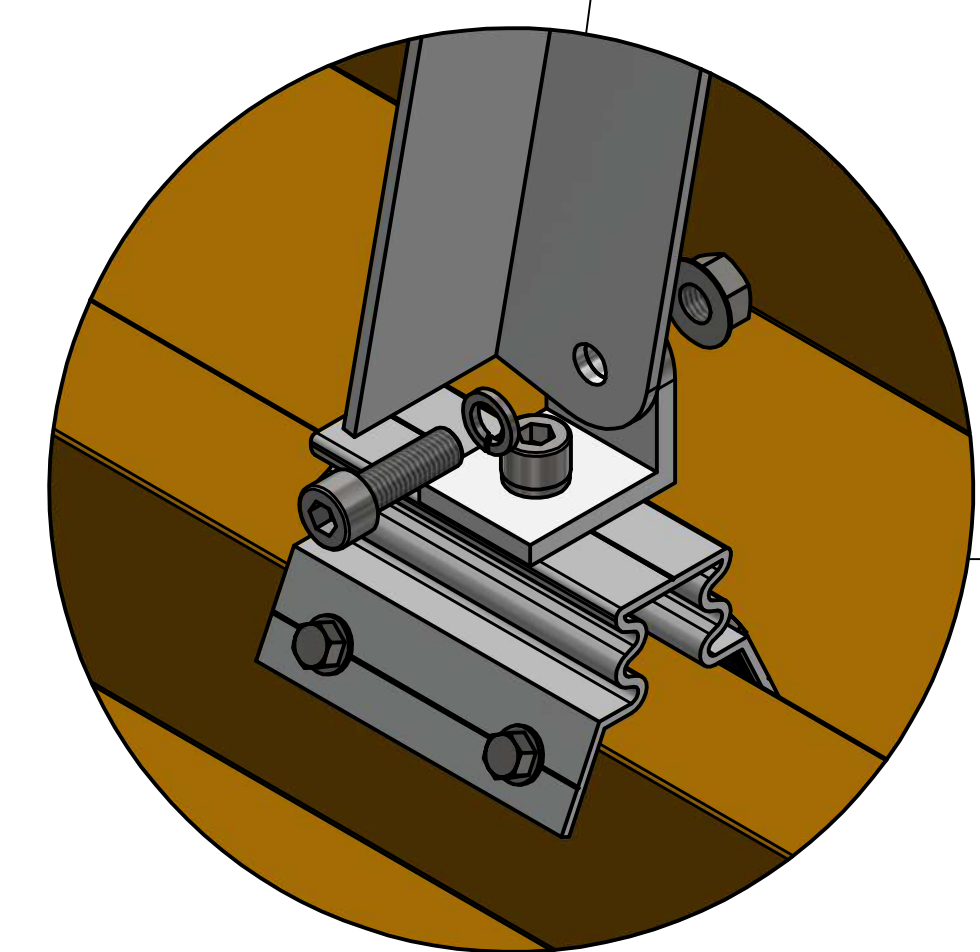


Torque Hex-Cap Screw to 18 N.m

General Overview

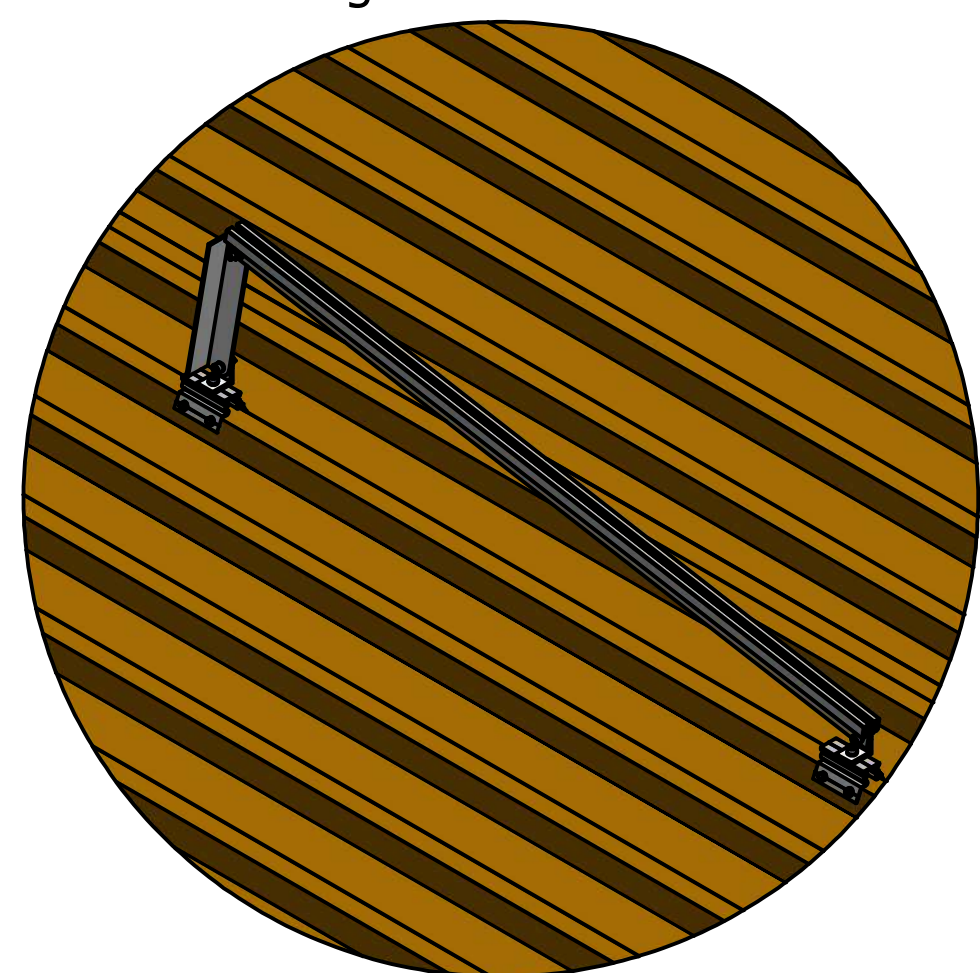


Frame - Roof Bracket connection



Torque Hex-Cap Screw to 18 N.m

Angled Connected



AD_RT_ANG_RL_IBR	Assembly Details - Roof Top Angled Railless IBR
A Brewis	
Revision 1	
June 2022	