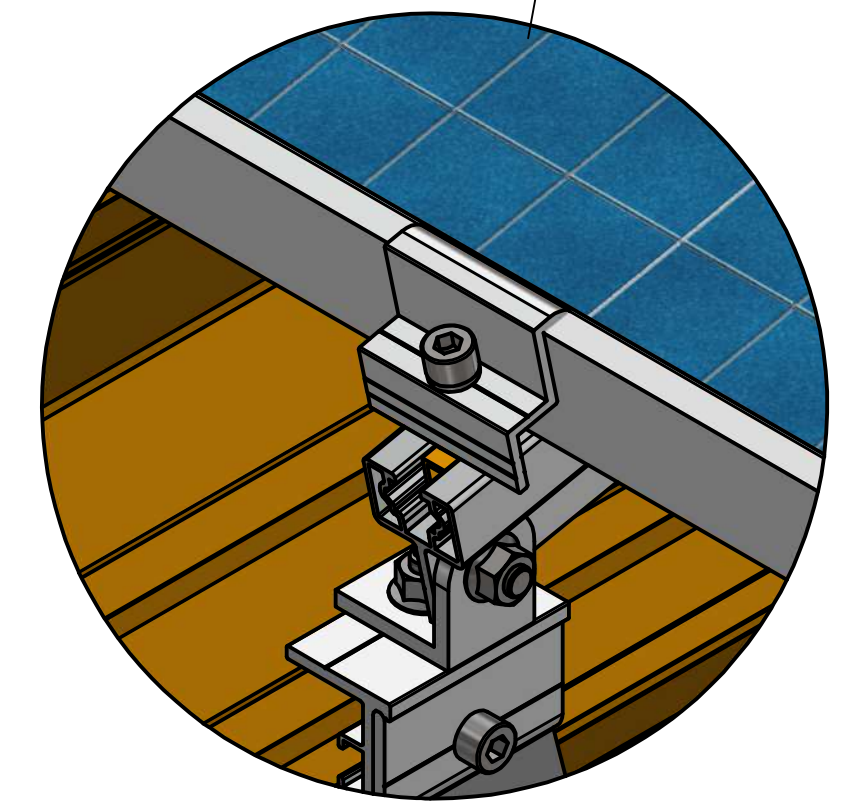
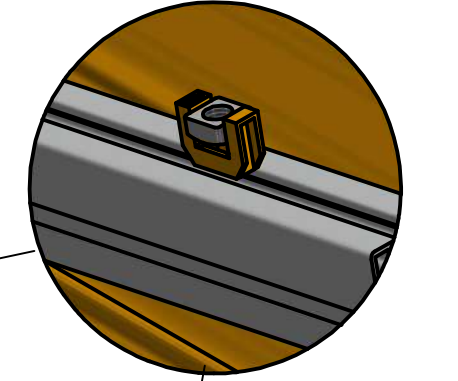
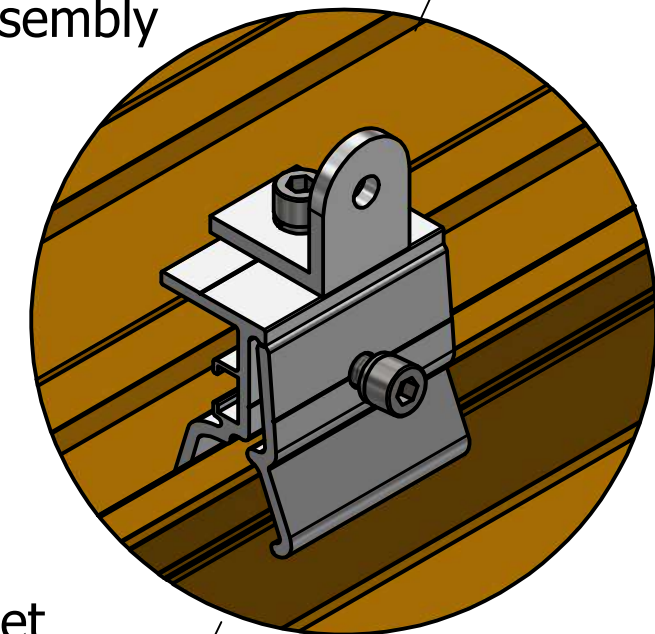


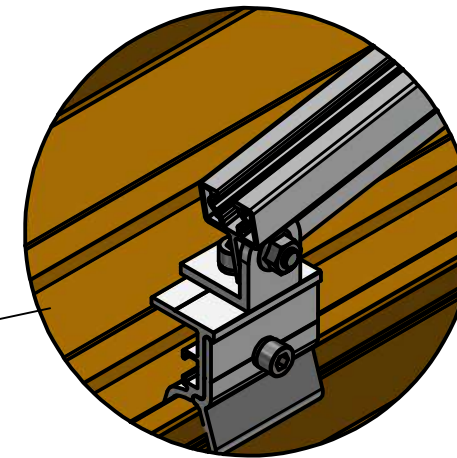
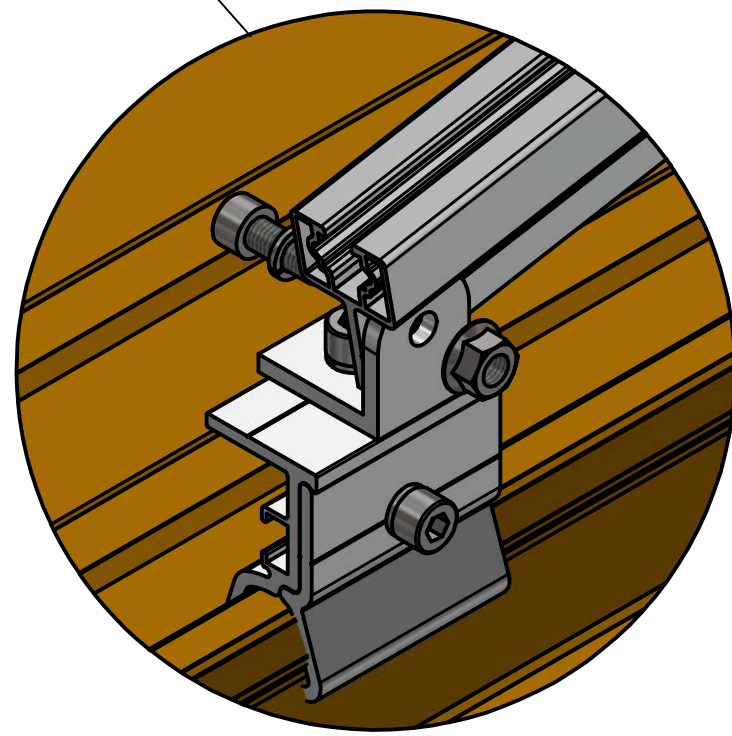
Nut positioning from top of rafter



Roof bracket assembly

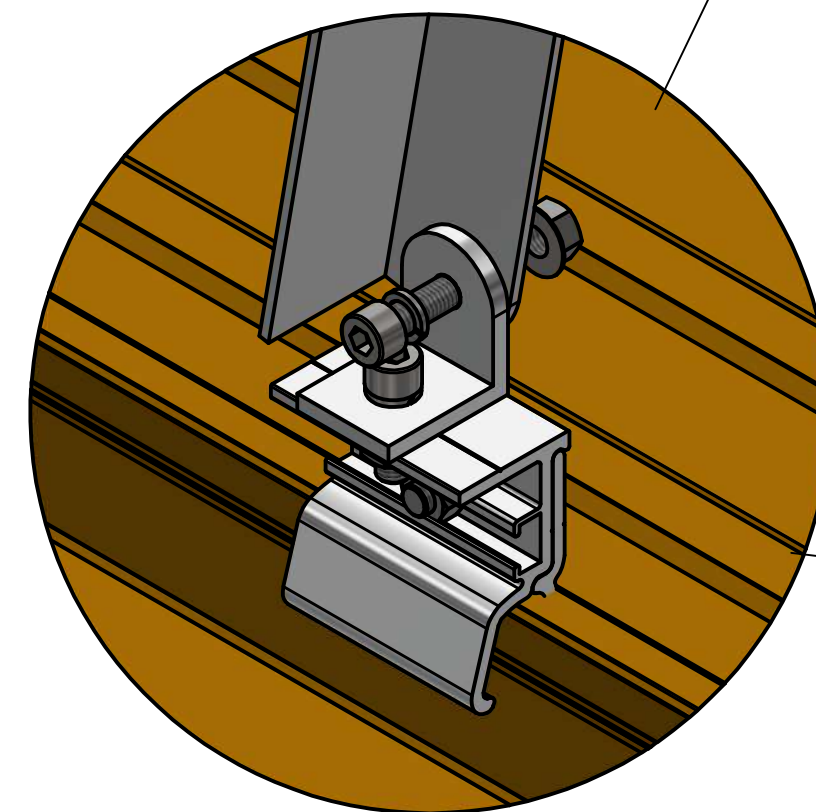


Frame - Roof bracket connection

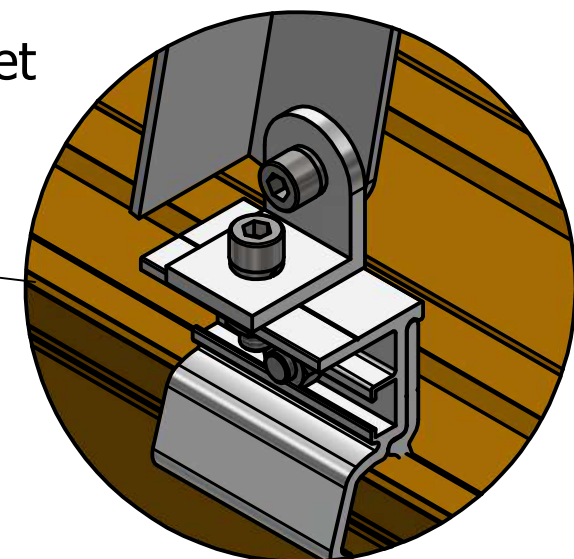


Torque Hex-Cap Screw to 18 N.m

Torque bracket Hex-Cap Screws to 18 N.m

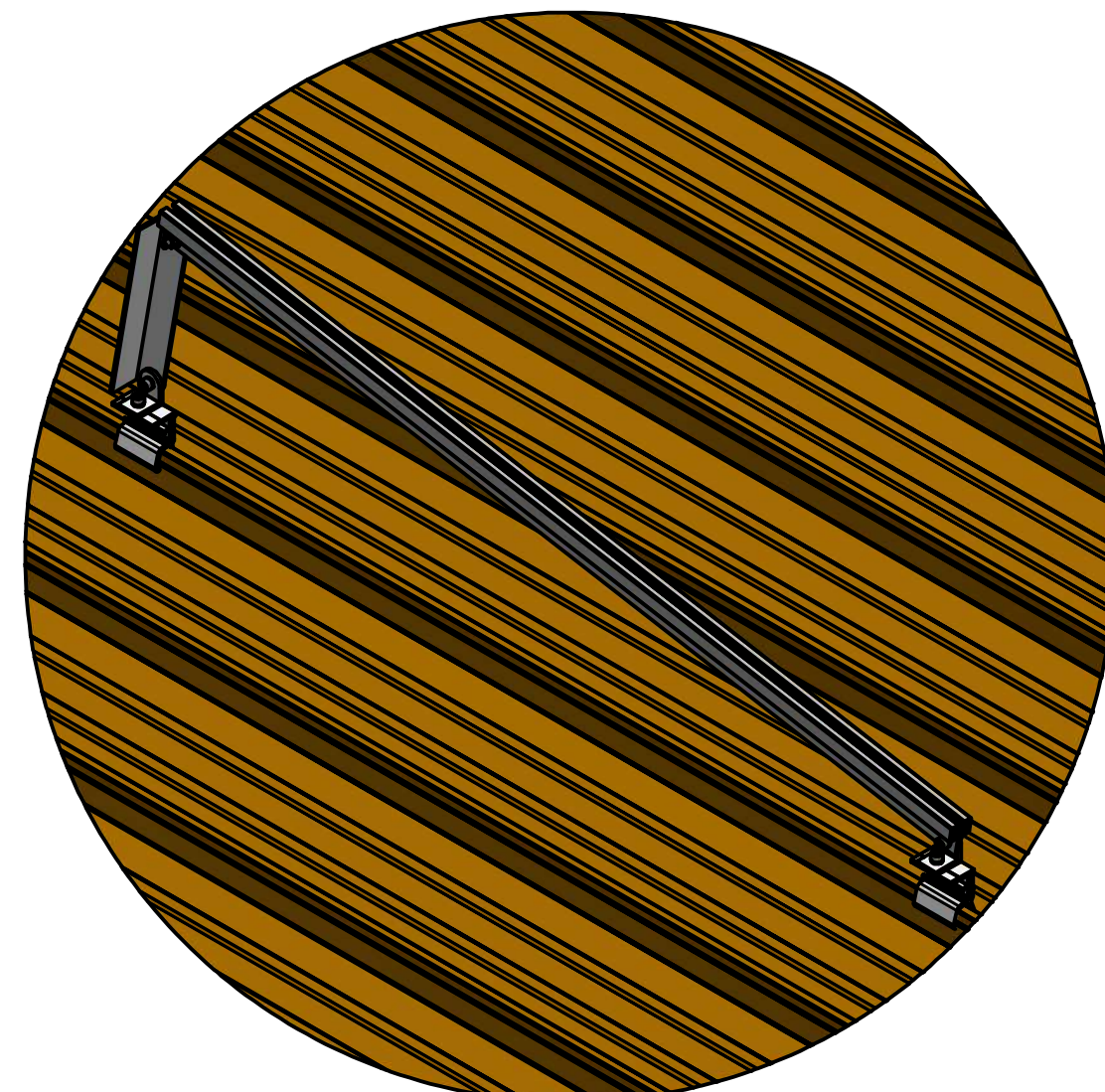


Frame - Roof bracket connection

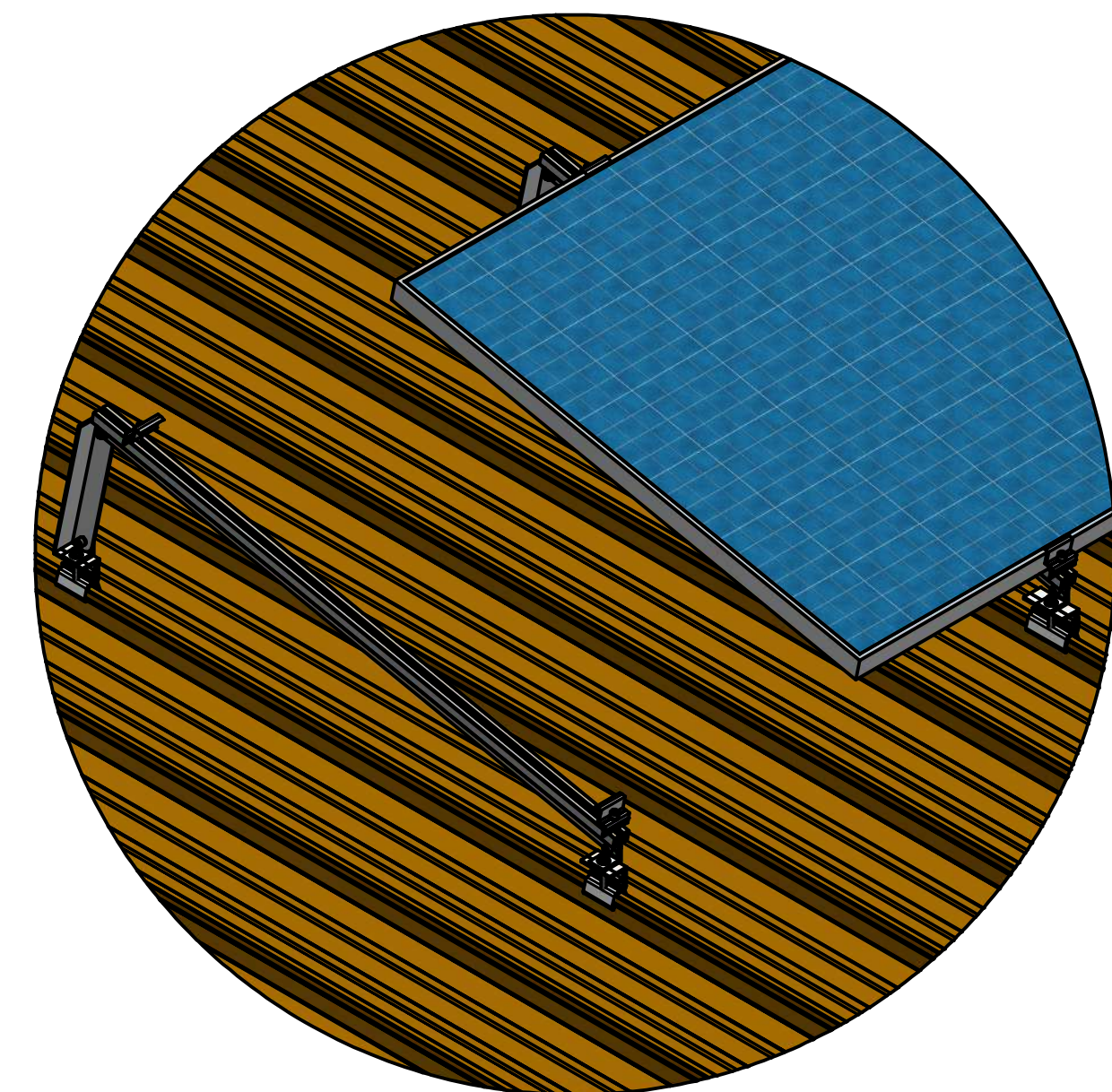


Torque Hex-Cap Screw to 18 N.m

Angle connected



General Overview



AD_RT_ANG_RL_FL	Assembly Details - Roof Top Angled Railless Fix Lok
A Brewis	
Revision 1	
Okt 2022	