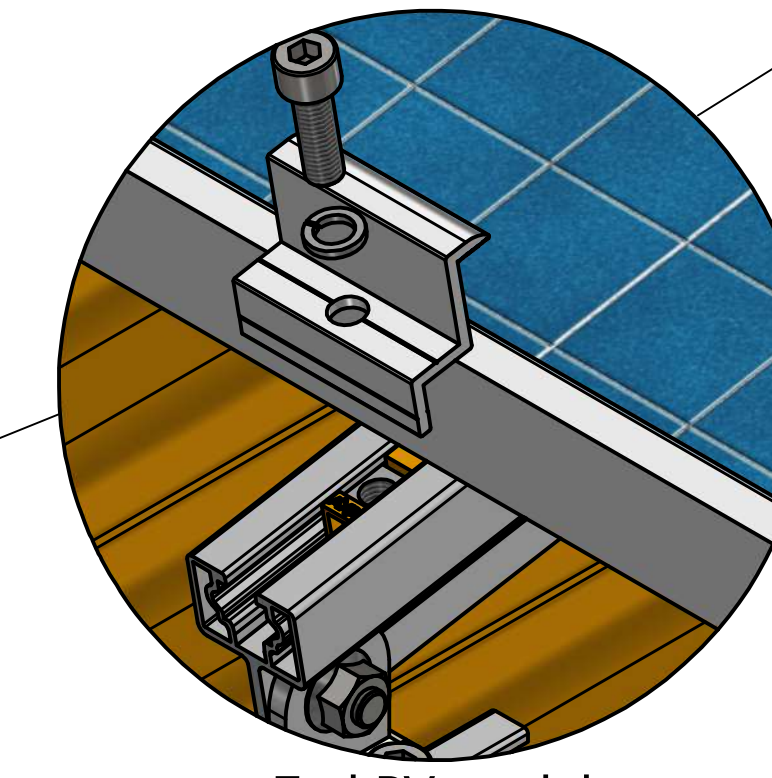
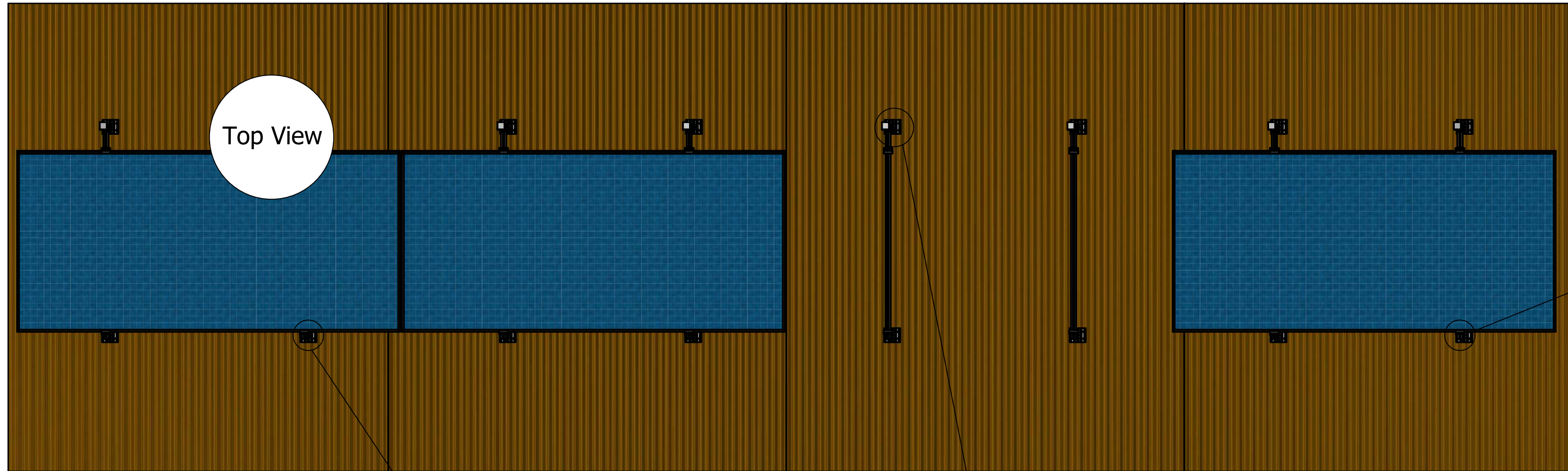
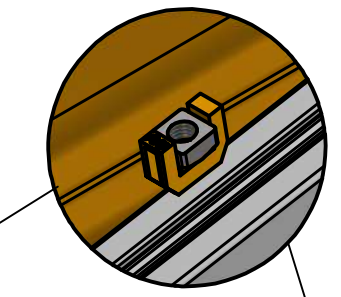
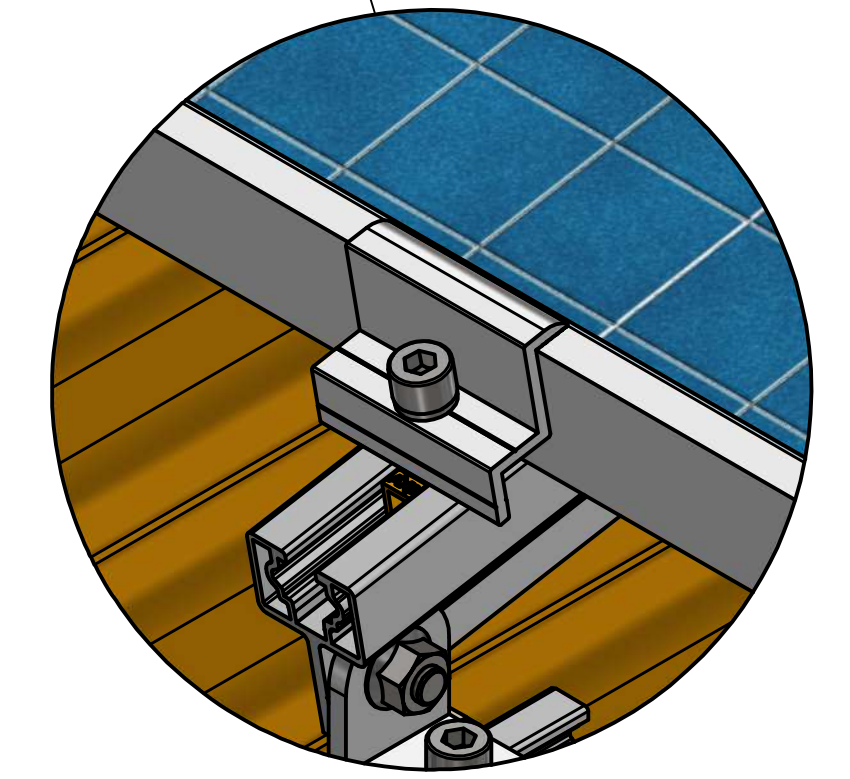


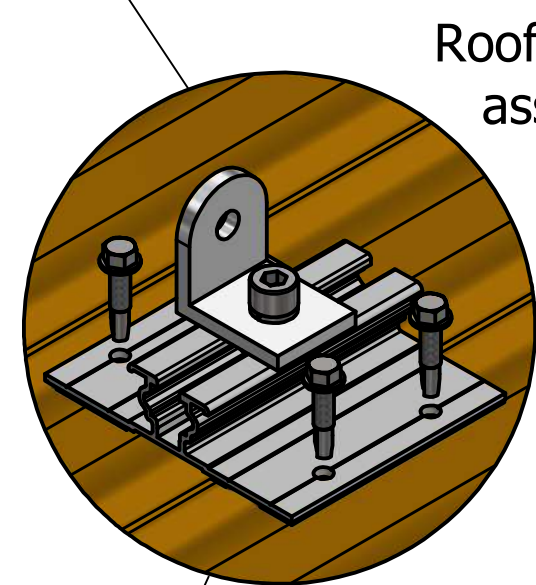
Nut positioning from top



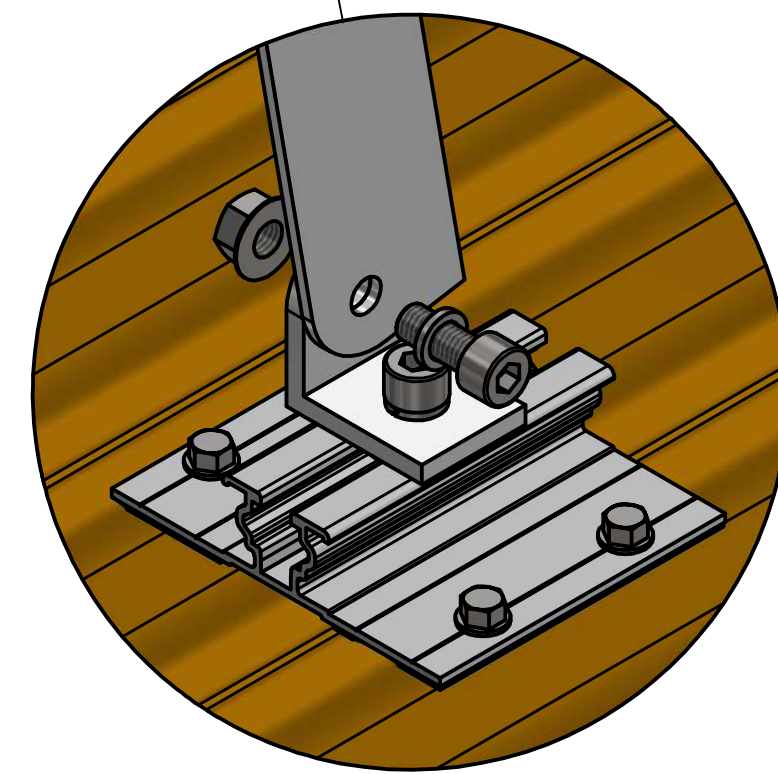
End PV module Clamping



Torque Hex-Cap Screws to 18 N.m

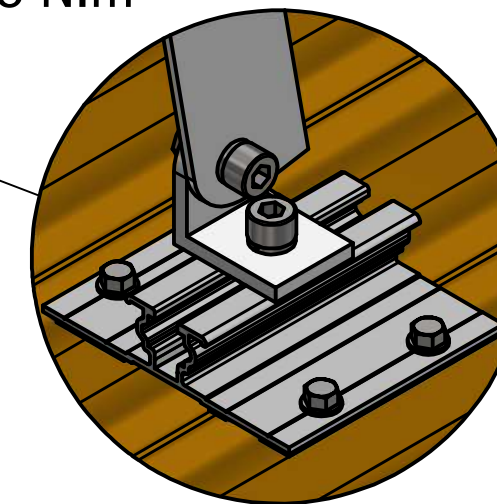


Roof bracket assembly

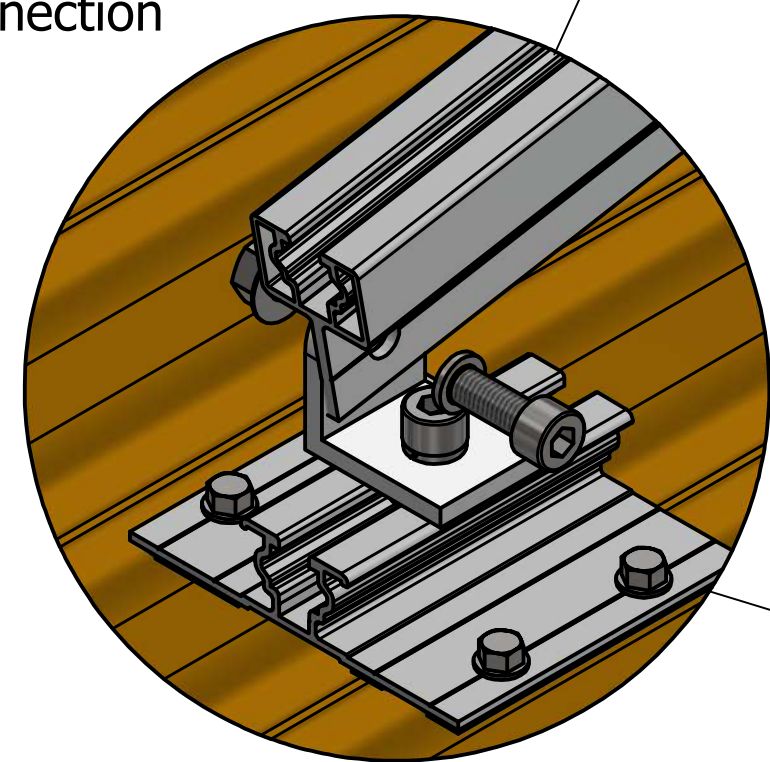


Frame - Roof Bracket connection

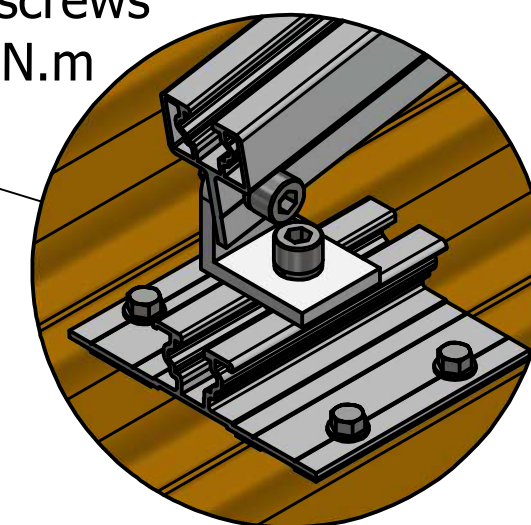
Torque bracket Hex Cap Screws to 18 N.m



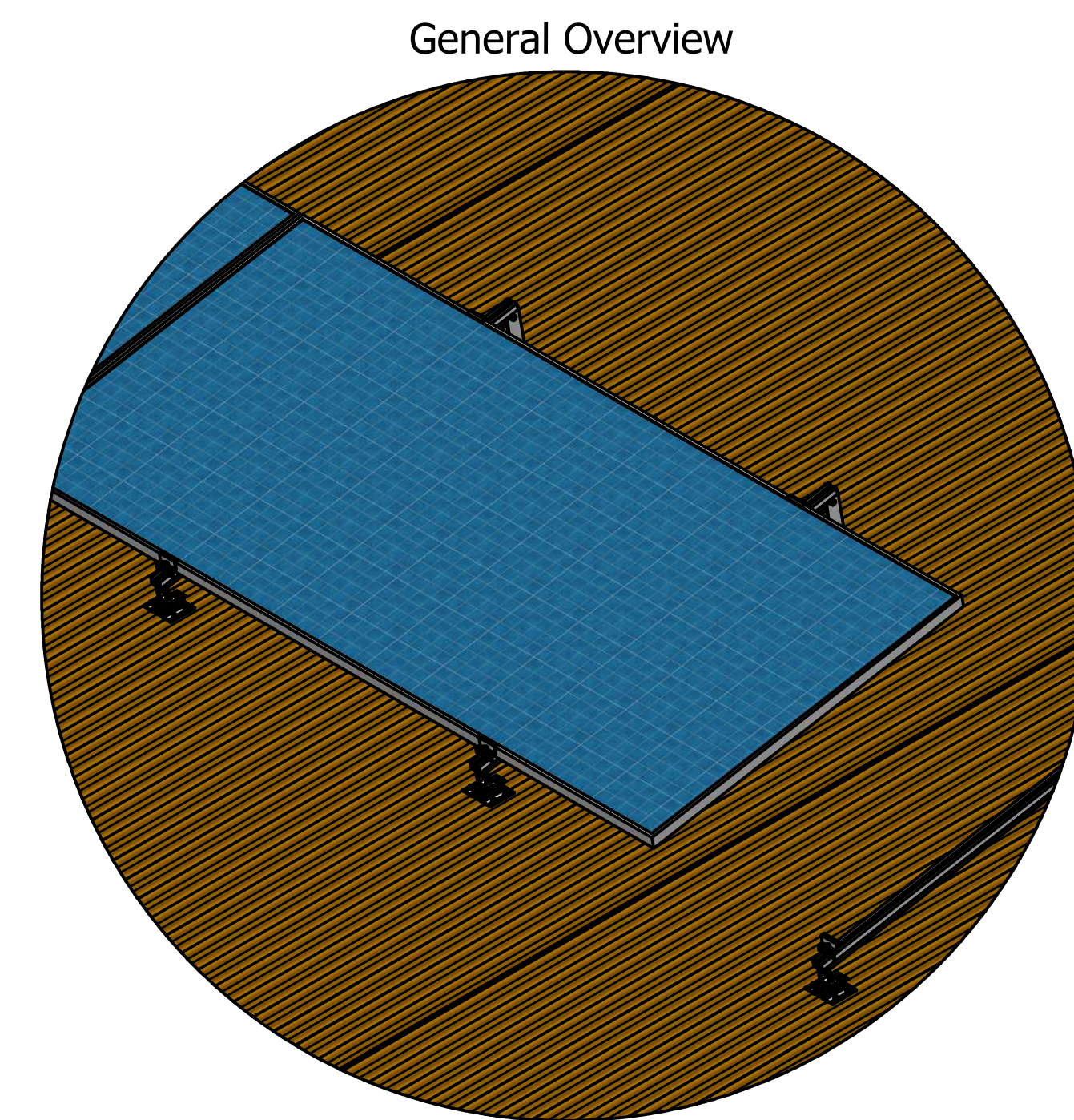
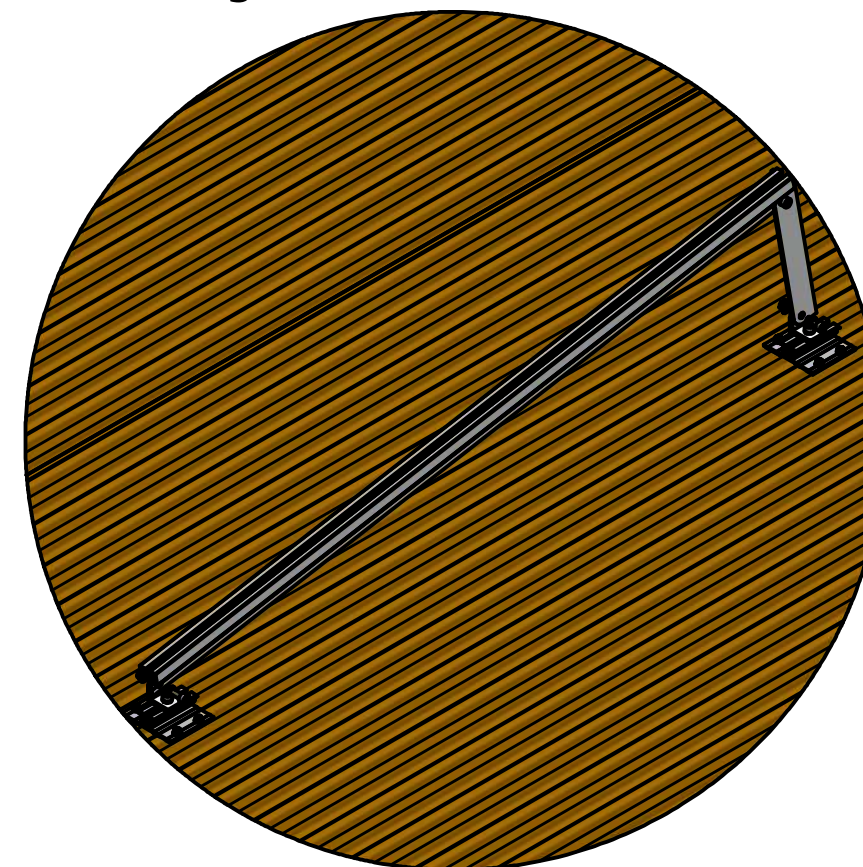
Frame - Roof Bracket connection



Torque bracket Hex cap screws to 18 N.m



Angled frame connected



AD_RT_ANG_RL_COR	Assembly Details - Roof Top Angled Railless Corrugated
A Brewis	
Revision 1	
June 2022	