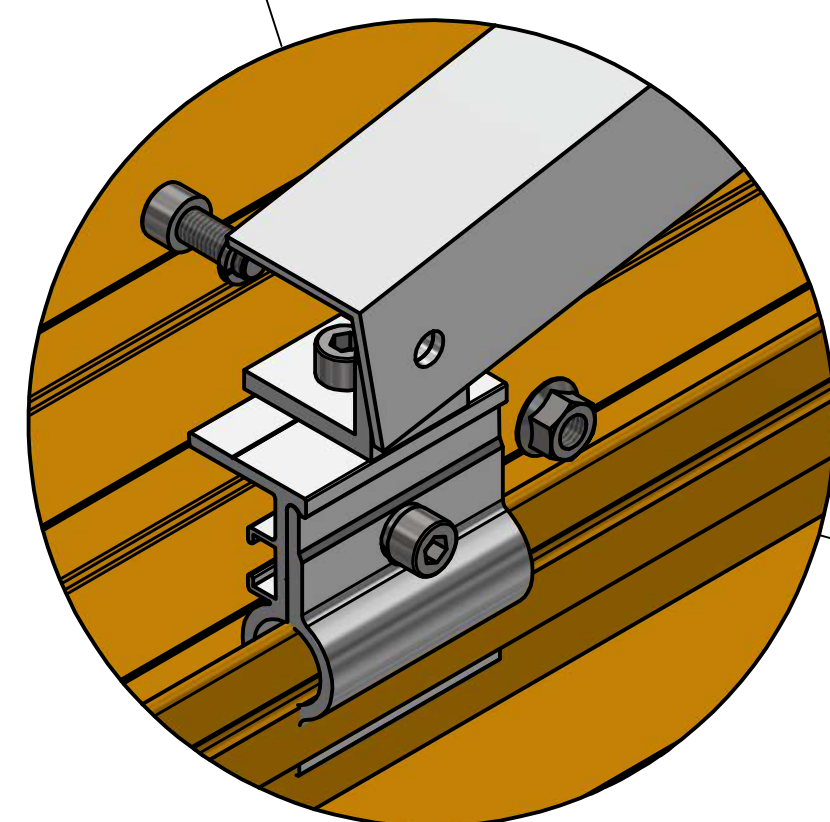
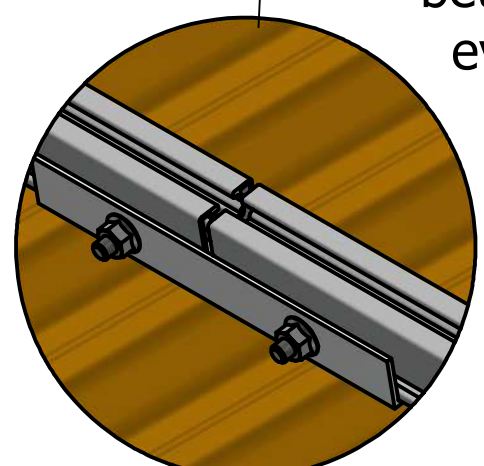
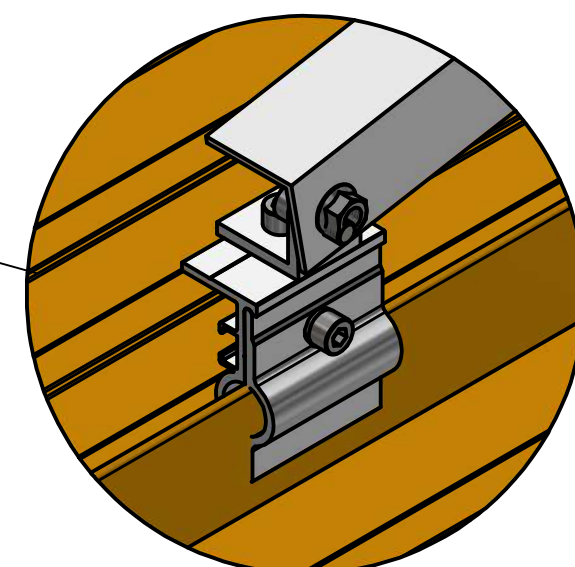


Torque Hex Bolts to 18 N.m

Leave 5mm gap between rails every 20m



Torque Hex-Cap Screw to 18 N.m



AD_RT_ANG_RD_SR	Assembly Details - Roof Top Angled Railed Standing Rib
A Brewis	
Revision 1	
Okt 2022	