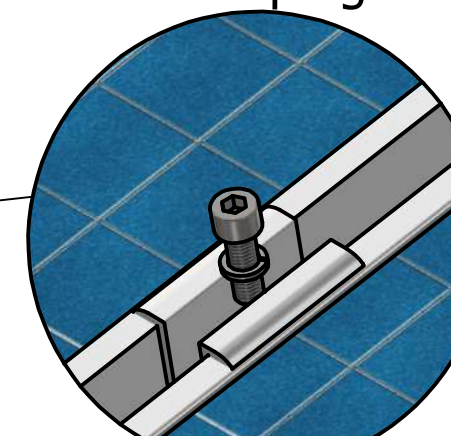
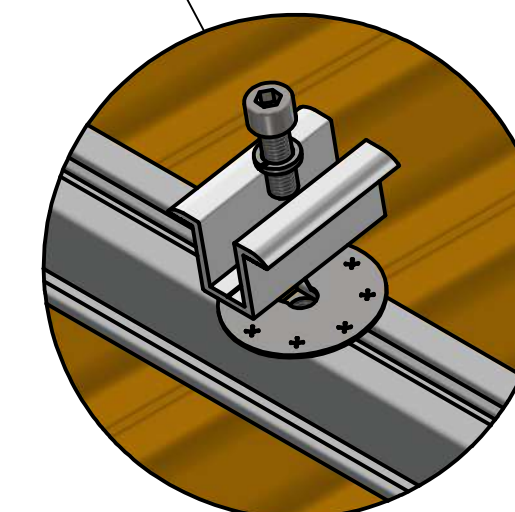


Nut positioning from top of rafter

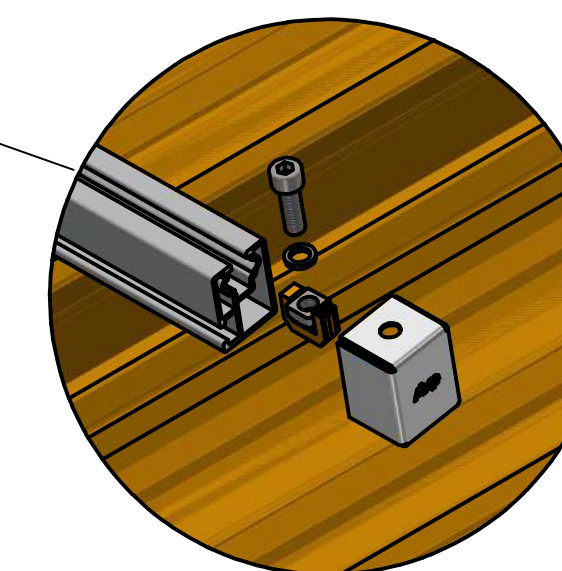
Mid PV module clamping



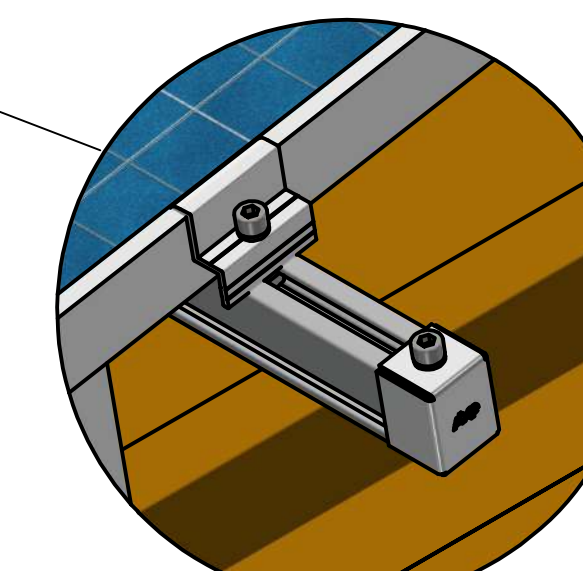
Torque Hex-Cap Screw to 18 N.m



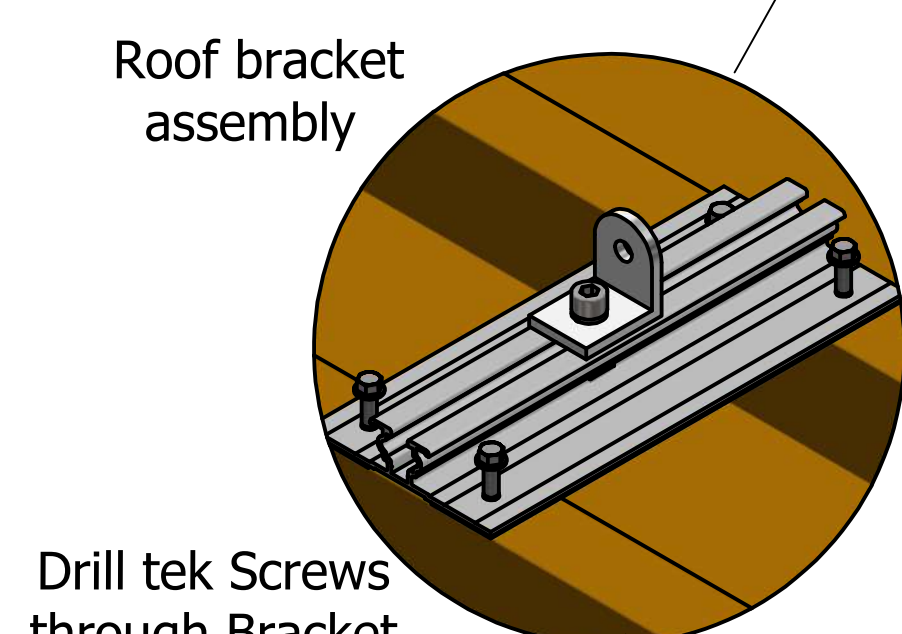
Earthing Plate



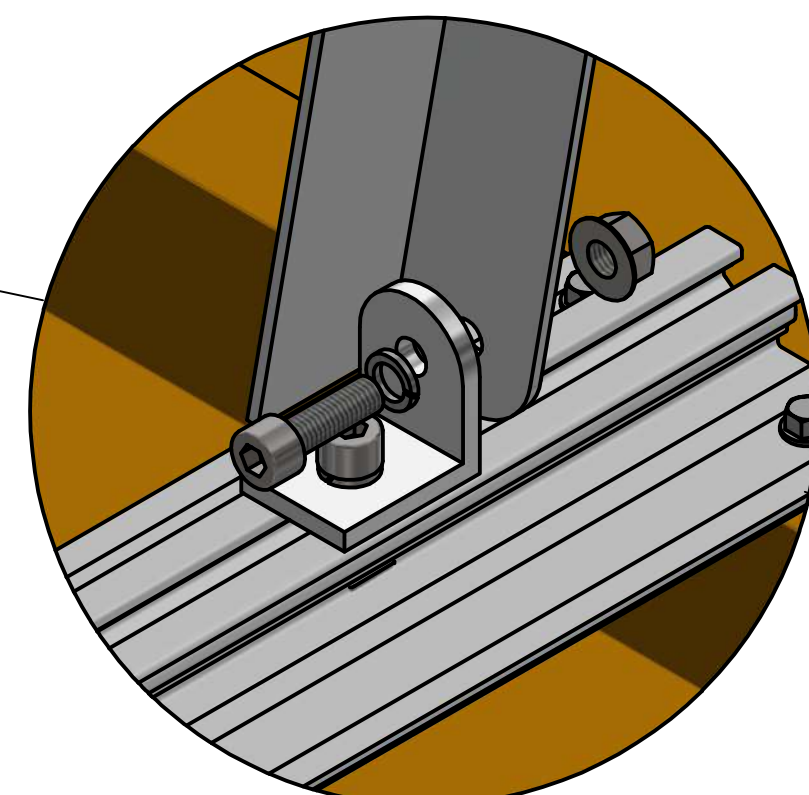
End Cap Connection



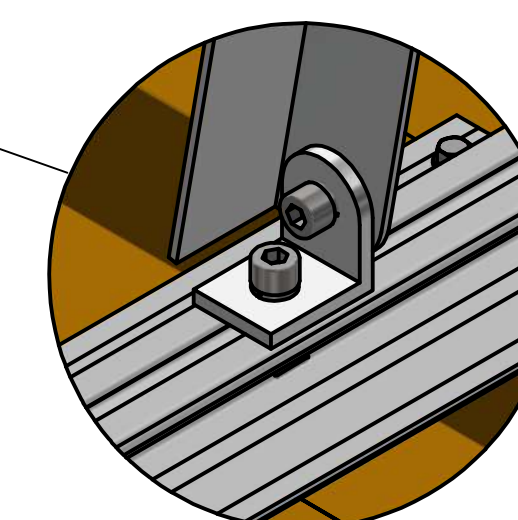
End PV Module Clamping



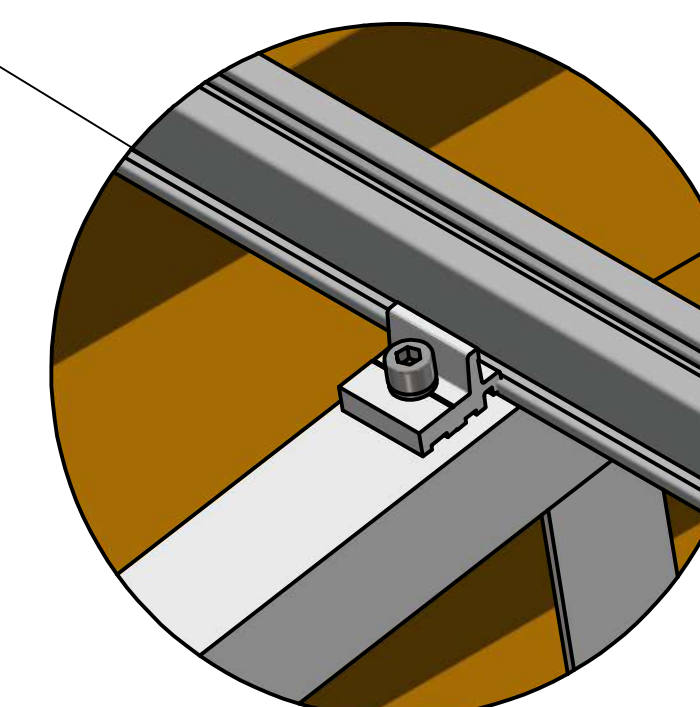
Roof bracket assembly



Frame - Roof Bracket connection



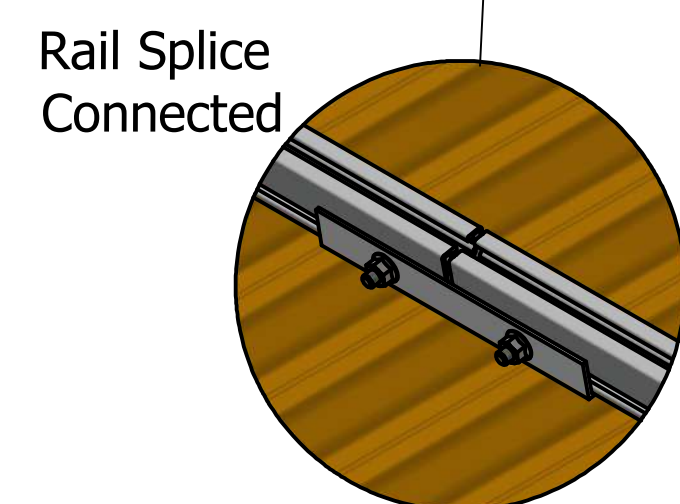
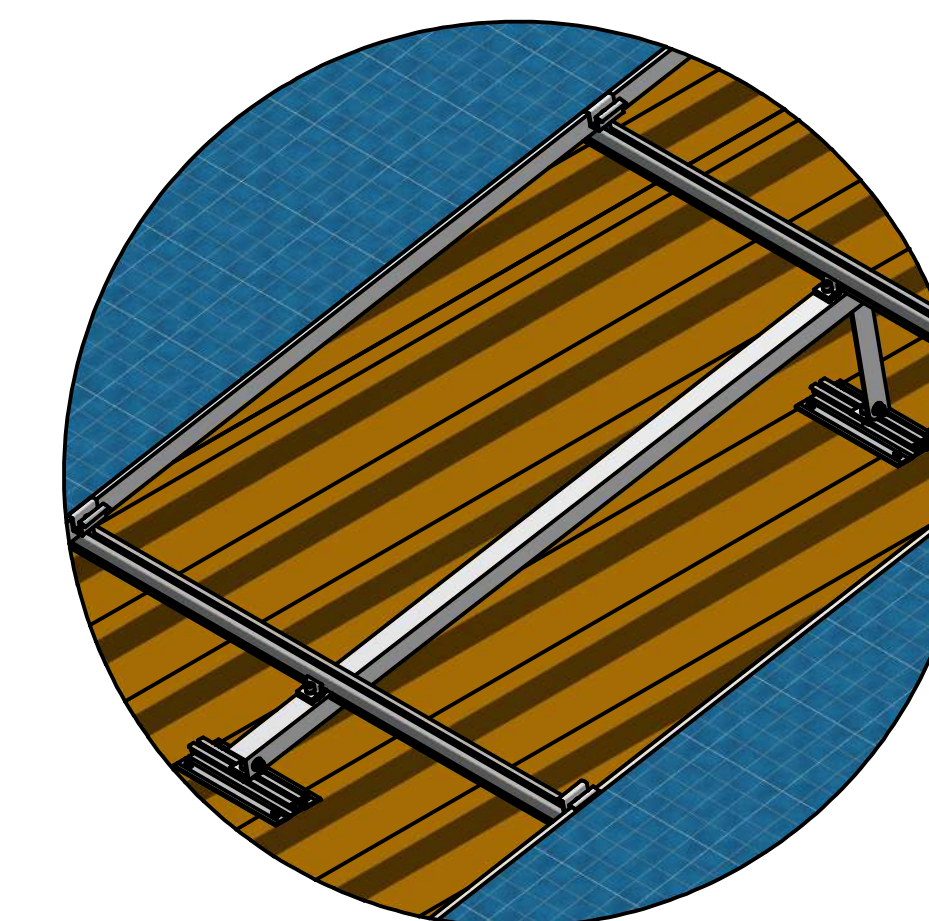
Frame - Roof Bracket connected



Frame - Rail connected. Torque Hex-Cap Screw to 18 N.m

Torque Hex-Cap Screw to 18 N.m

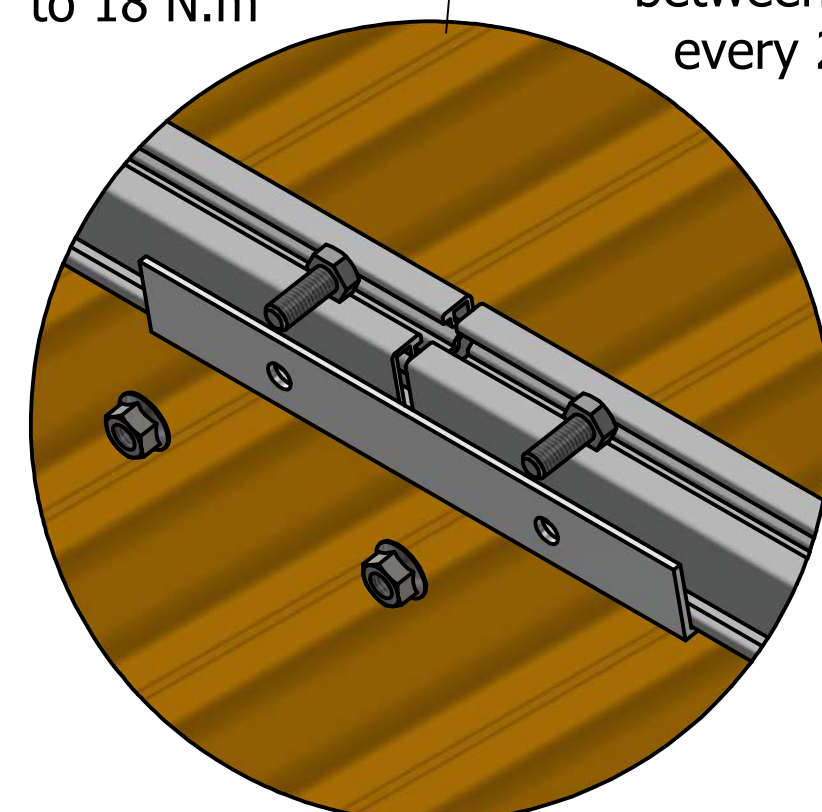
General View



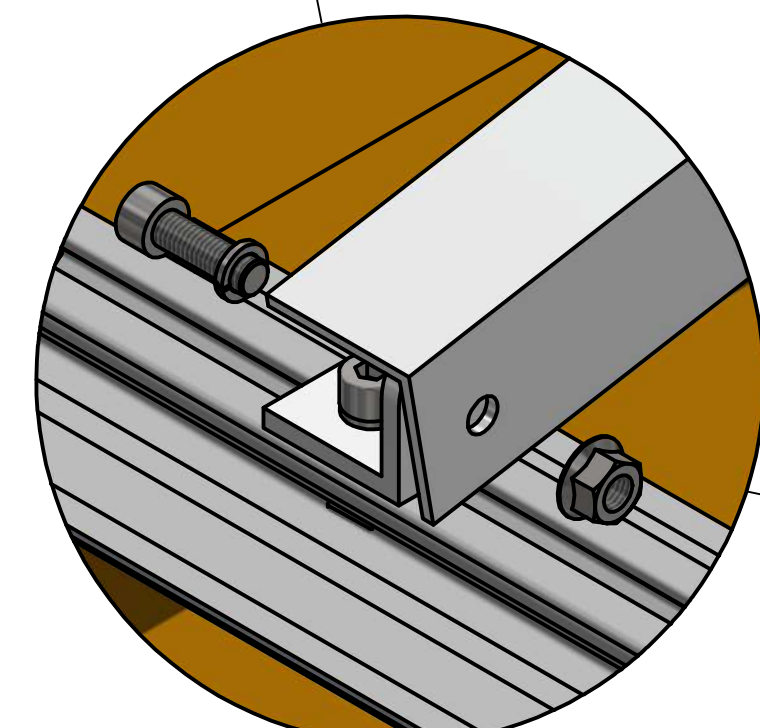
Rail Splice Connected

Torque Hex Bolts to 18 N.m

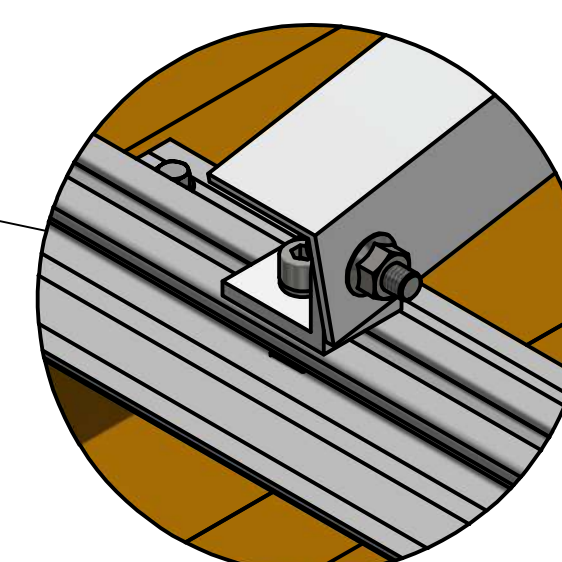
Leave 5mm gap between rails every 20m



Rail Splice Assembly



Frame - Roof Bracket connection



AD_RT_ANG_RD_RS	Assembly Details - Roof Top Angled Railed Rib Surface
A Brewis	
Revision 1	
July 2022	