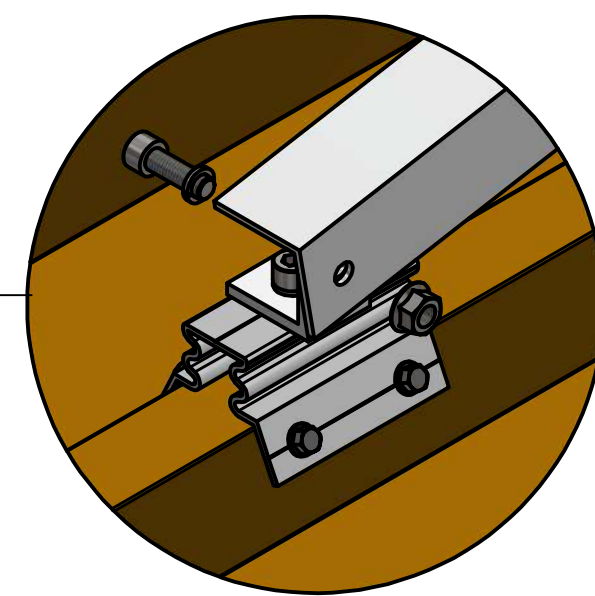
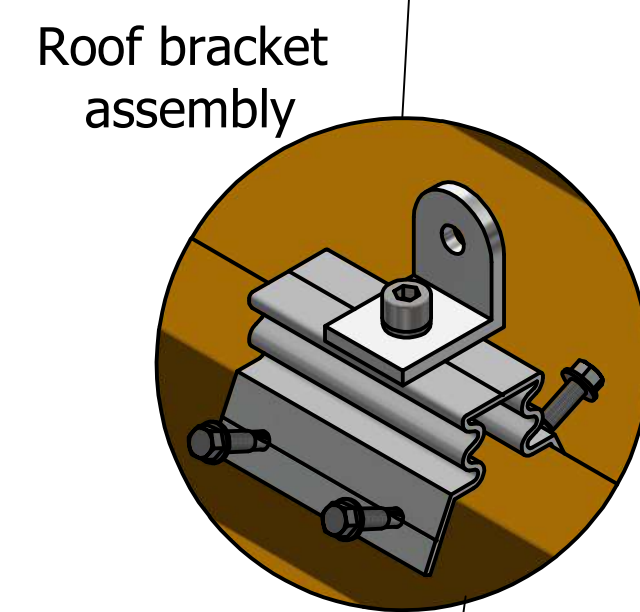
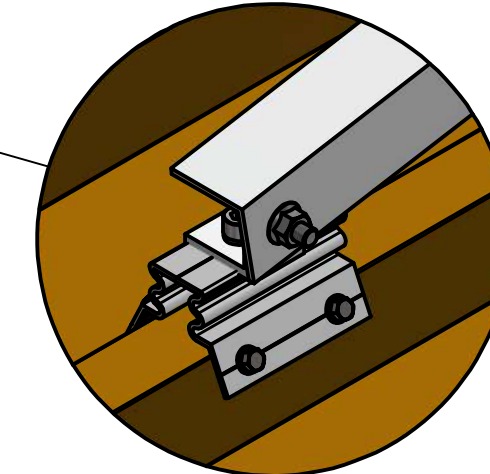


Torque Hex Bolts to 18 N.m

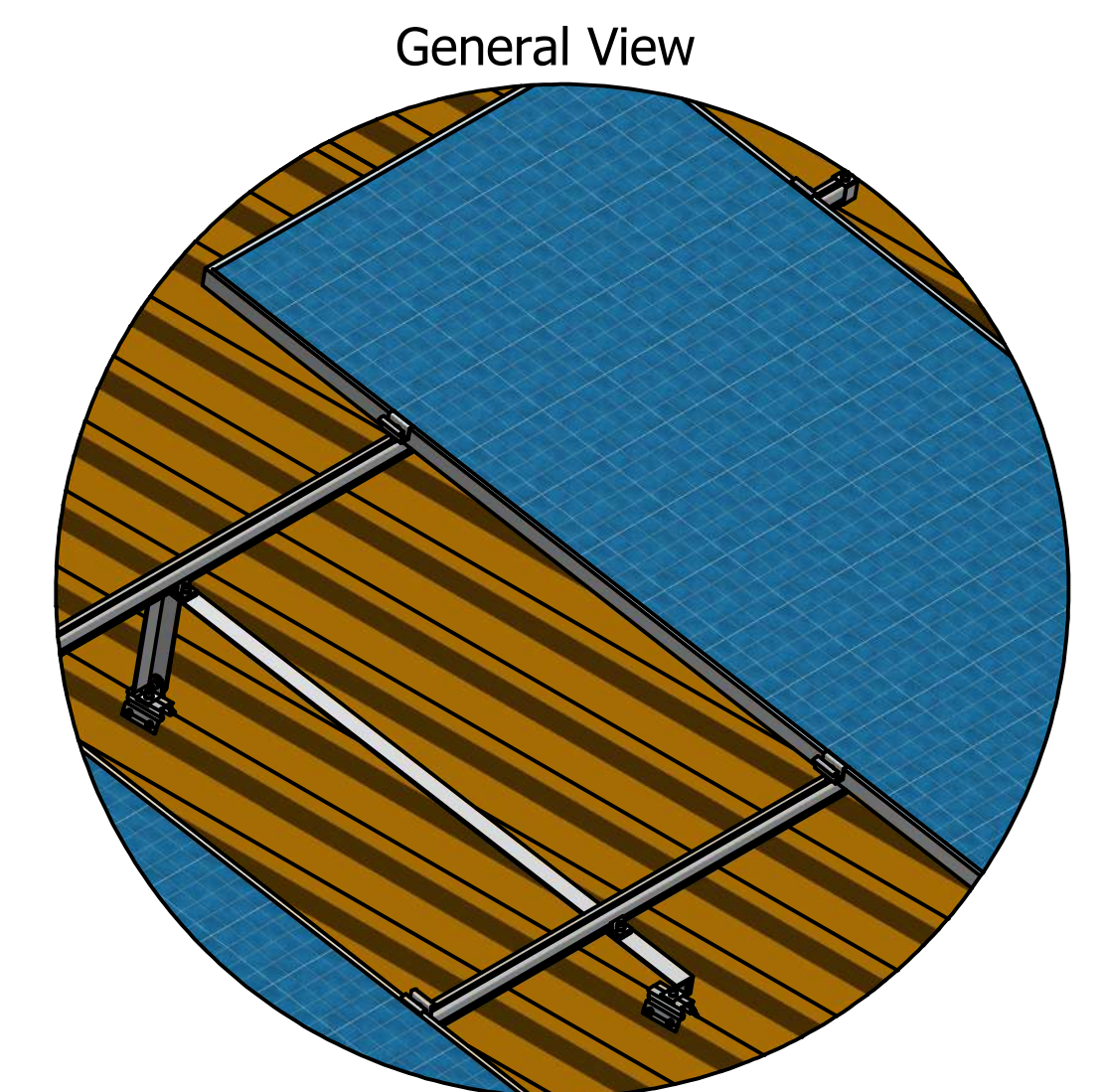
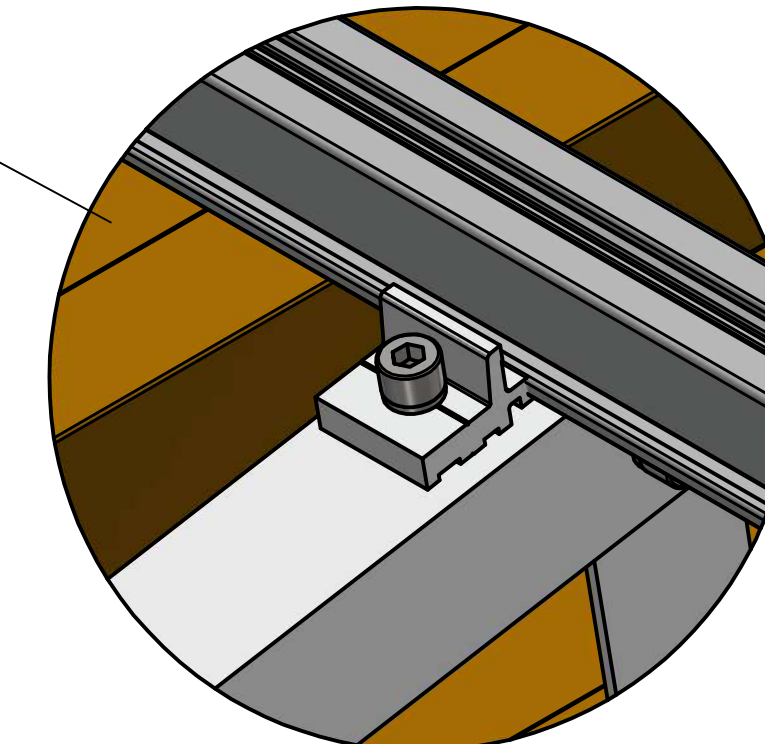
Leave 5mm gap between rails every 20m



Roof bracket connection to Frame



Torque bracket Hex-Cap Screws to 18 N.m



AD_RT_ANG_RD_IBR	Assembly Details - Angled Roof Top Railed IBR
A Brewis	
Revision 1	
July 2022	

