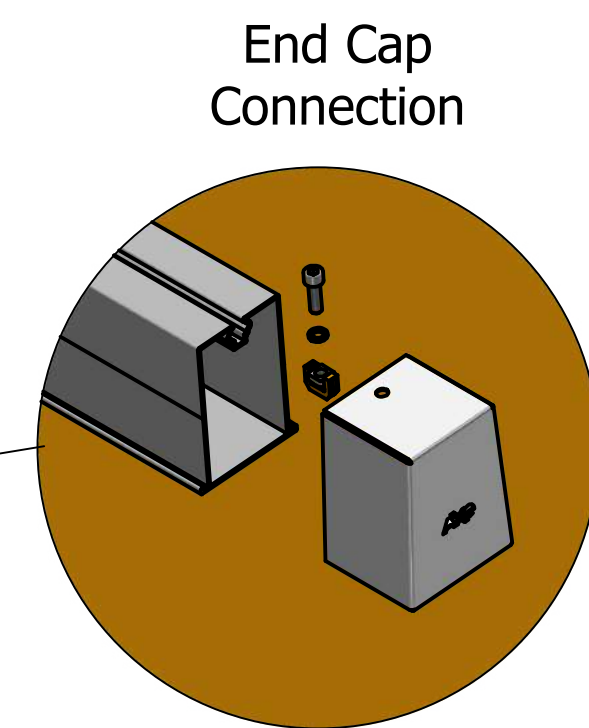
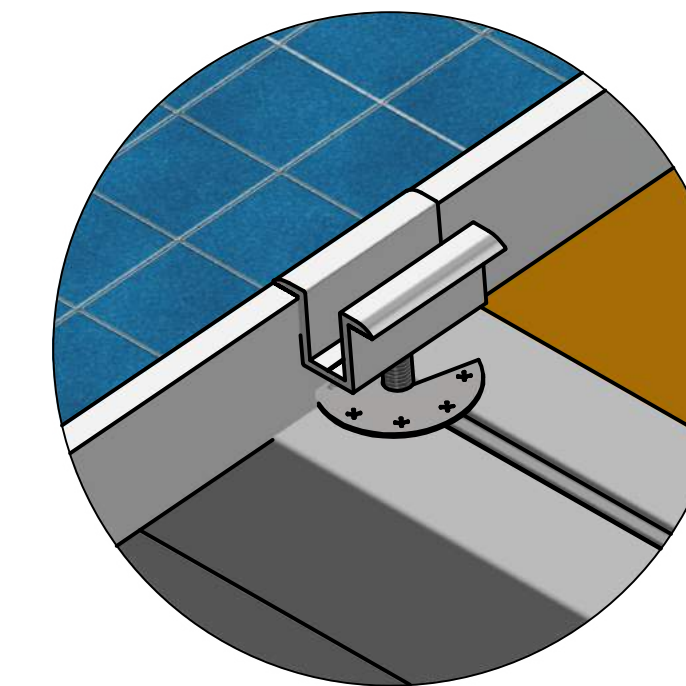


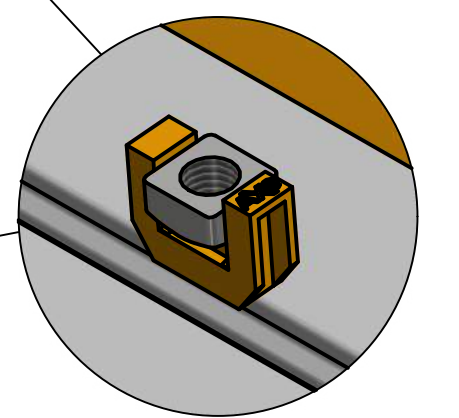
Torque Hex-Cap Screw to 18 N.m



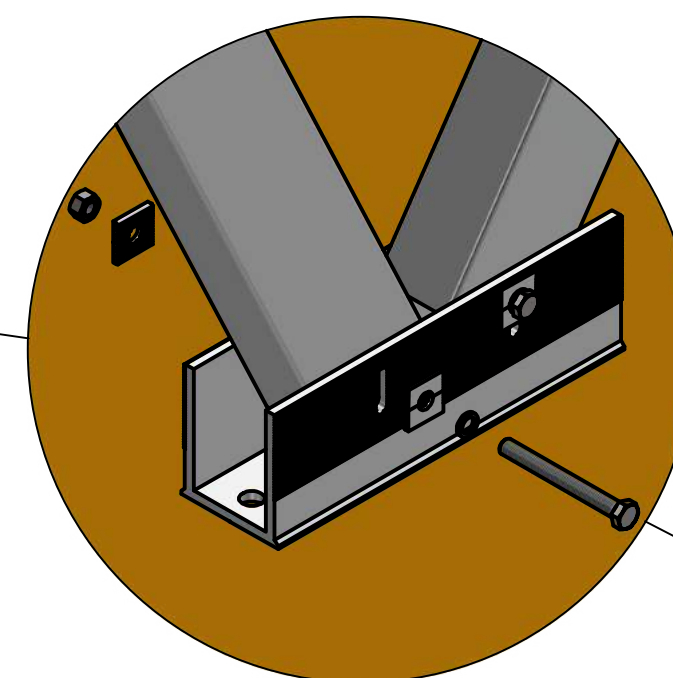
End Cap Connection



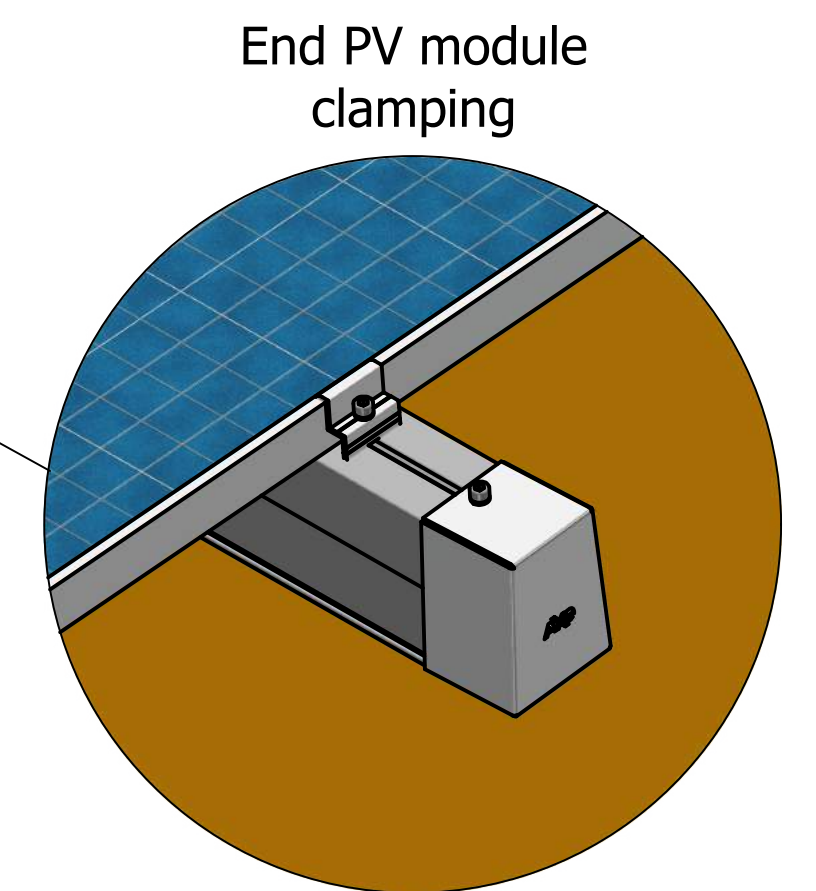
Earthing plate



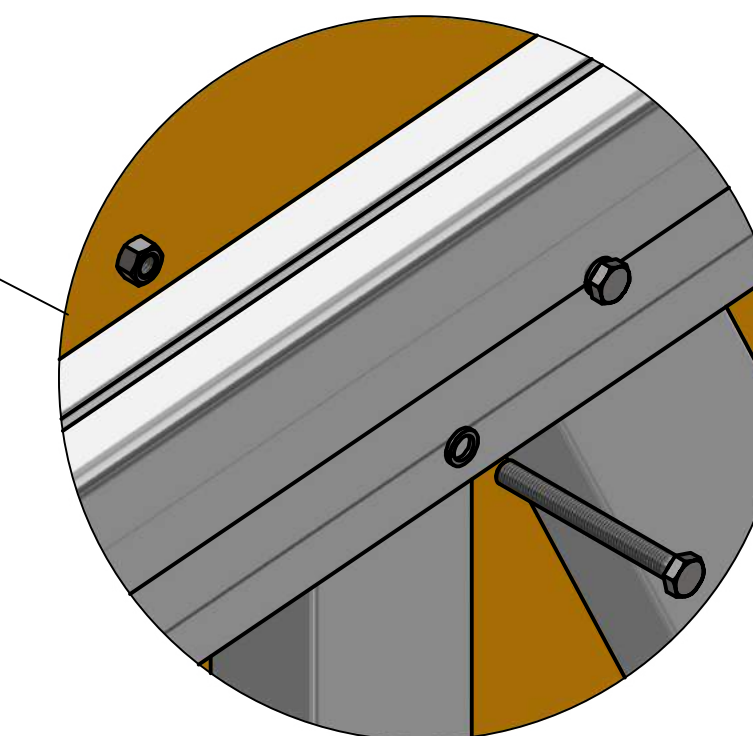
Nut positioning from top of rail



Pile-Bracket connection

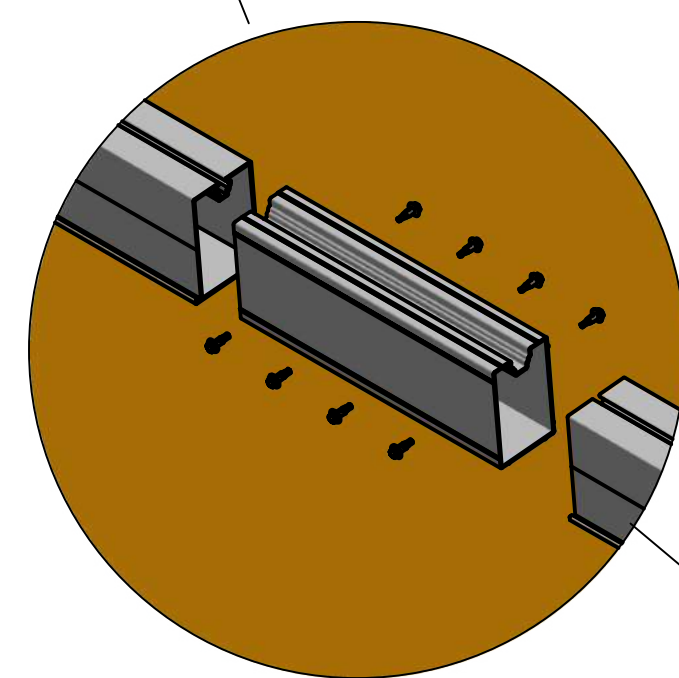


End PV module clamping

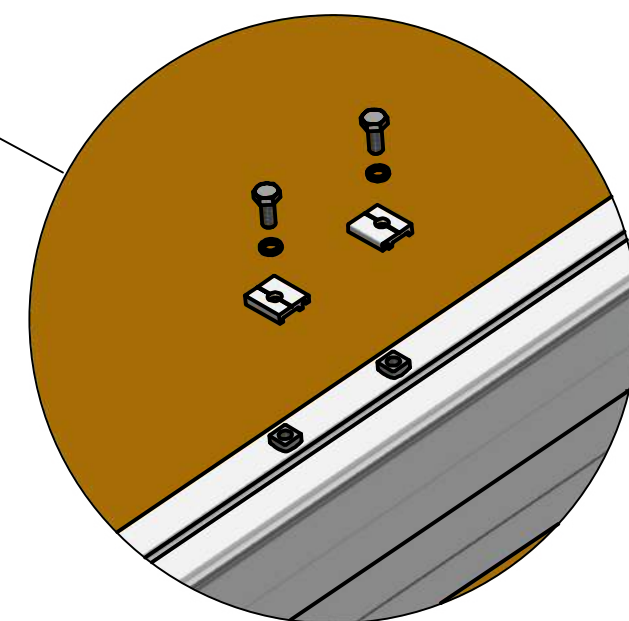


Pile-Rafter connection

Torque Hex-Cap Screw to 18 N.m

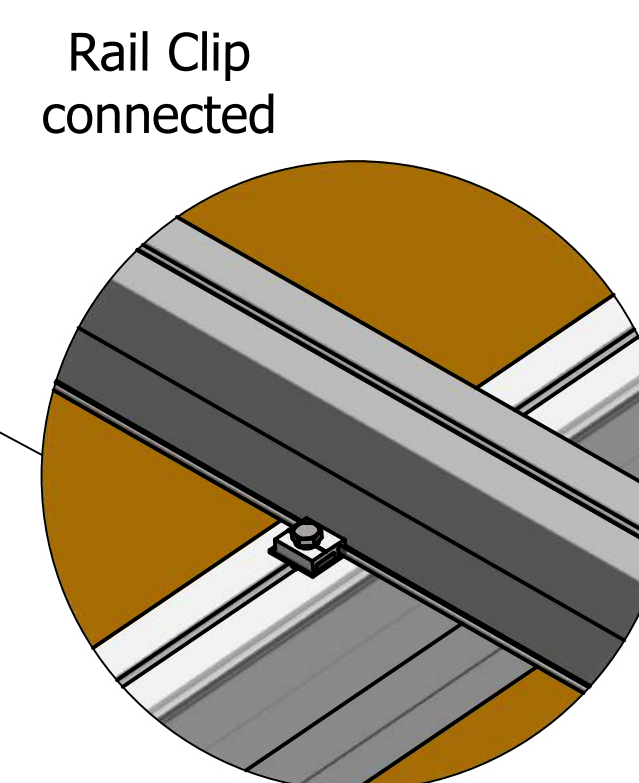


Rail splice assembly



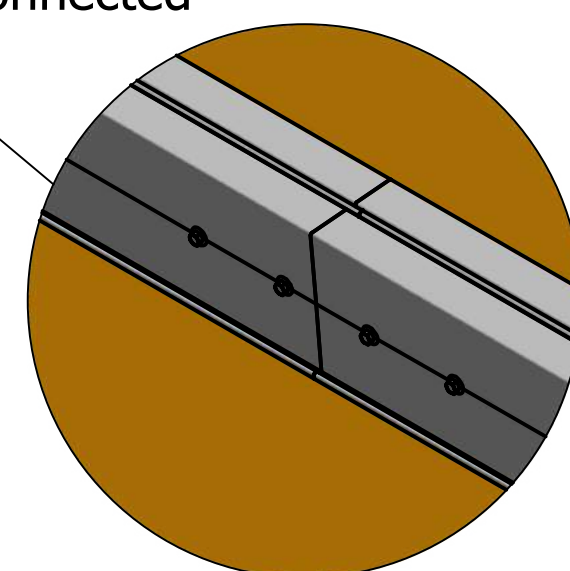
Rail Clip assembly

Torque Hex Bolt to 117 N.m



Rail Clip connected

Torque Hex Bolt to 39 N.m



Rail splice connected

AD_GM_EL_2P	Assembly Details - Ground Mount Elite 2P
C van Wyk	
Revision 1	
Aug 2022	