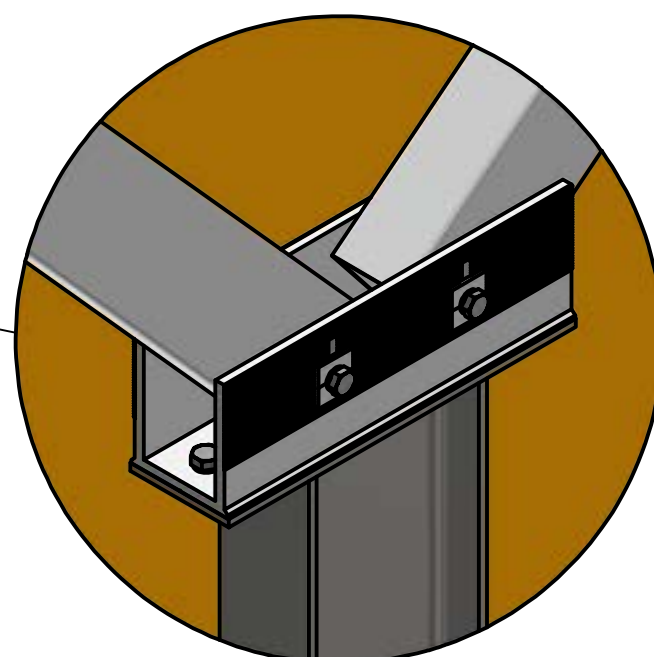
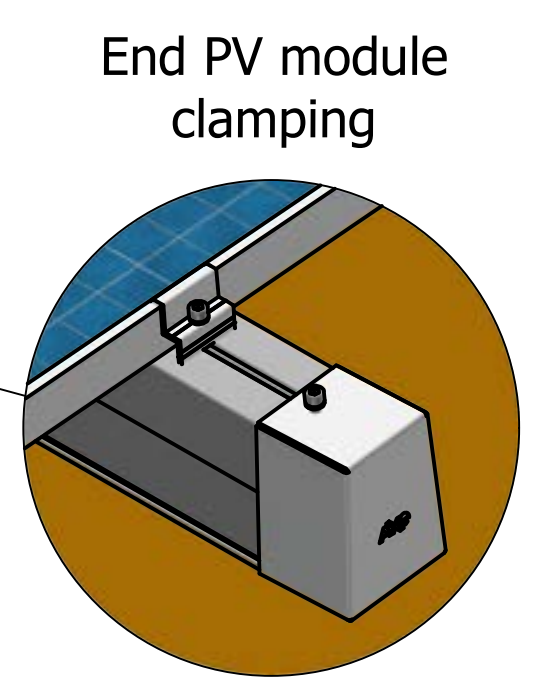
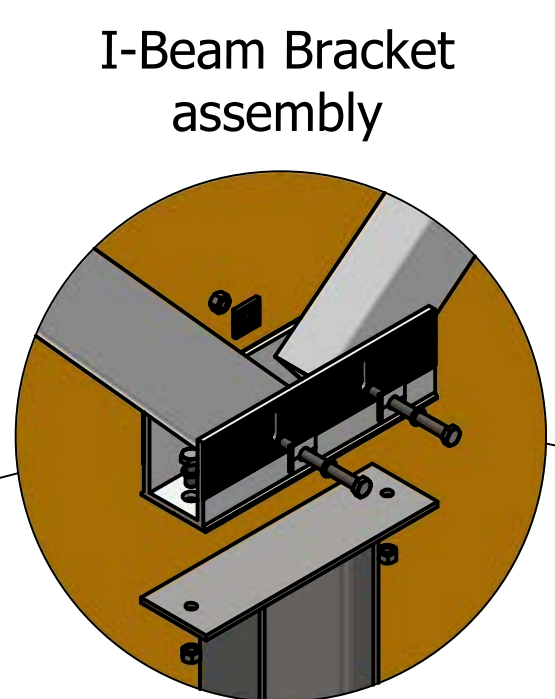
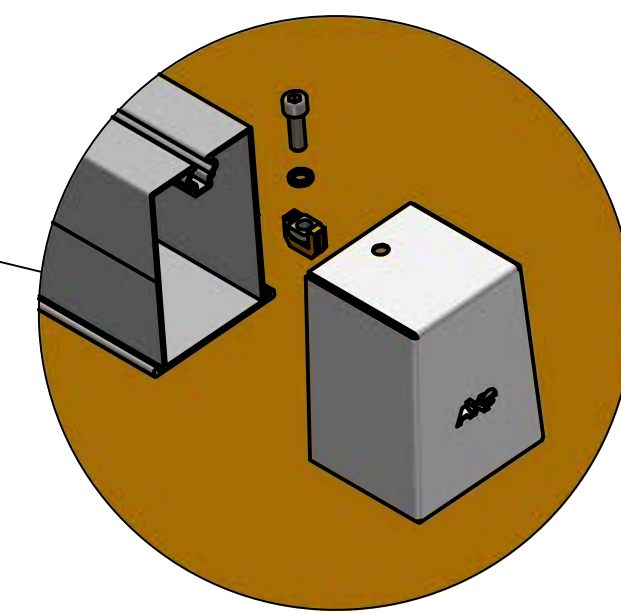
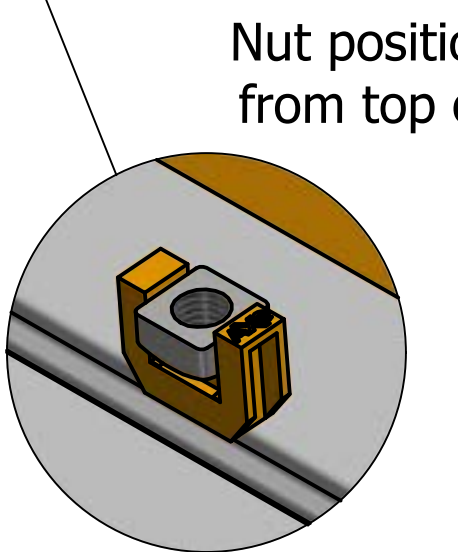
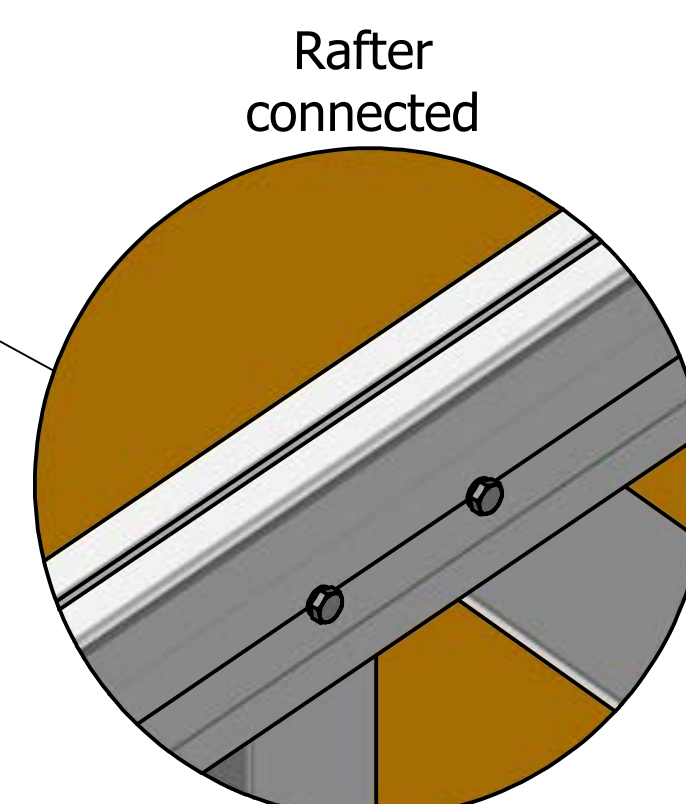
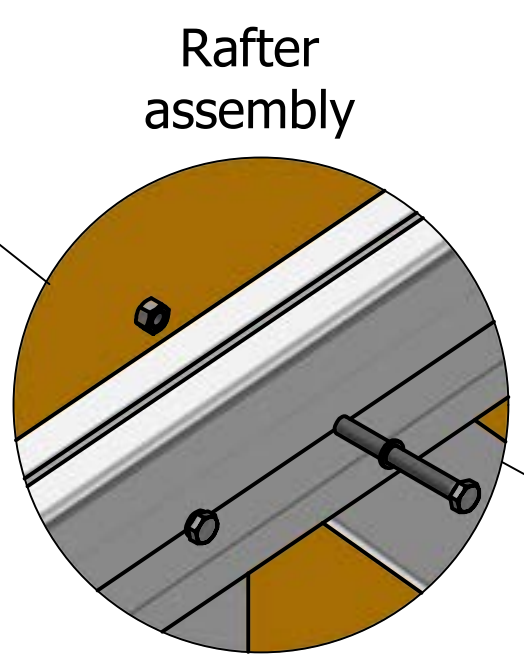
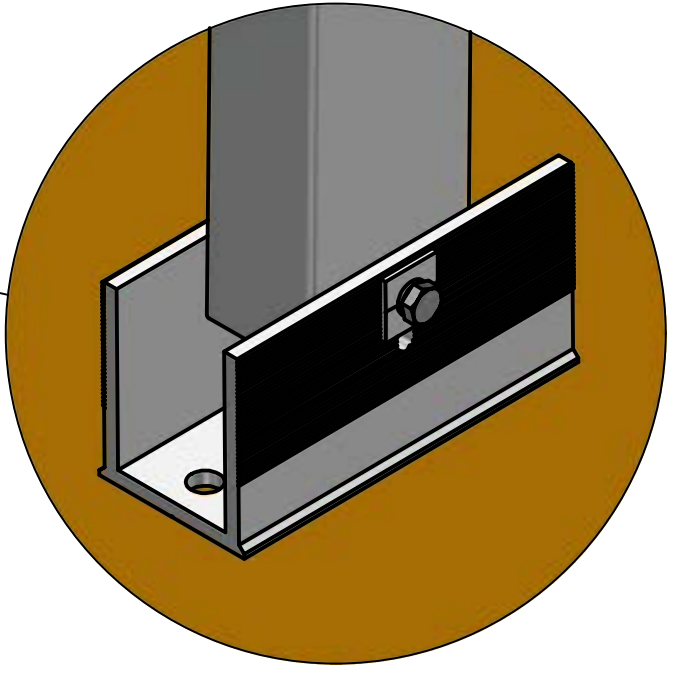
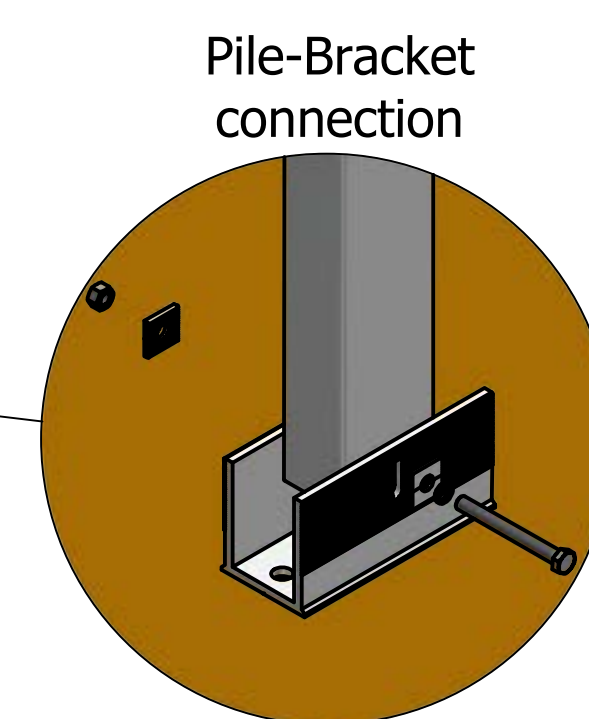


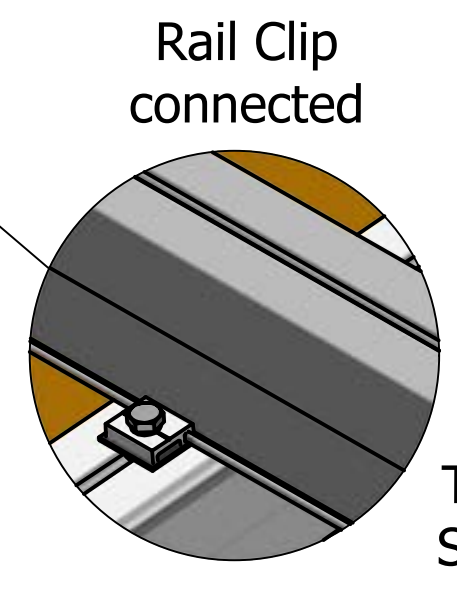
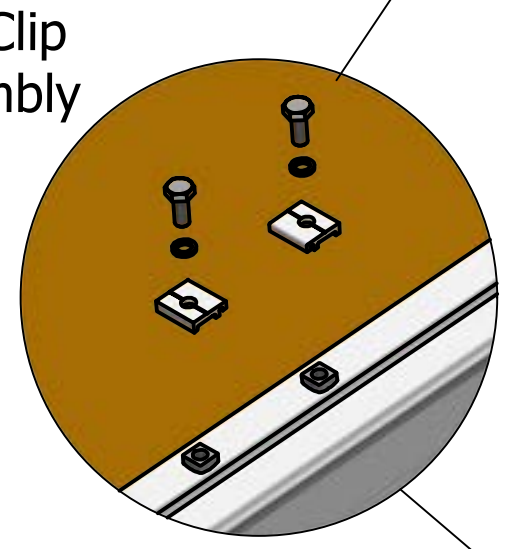
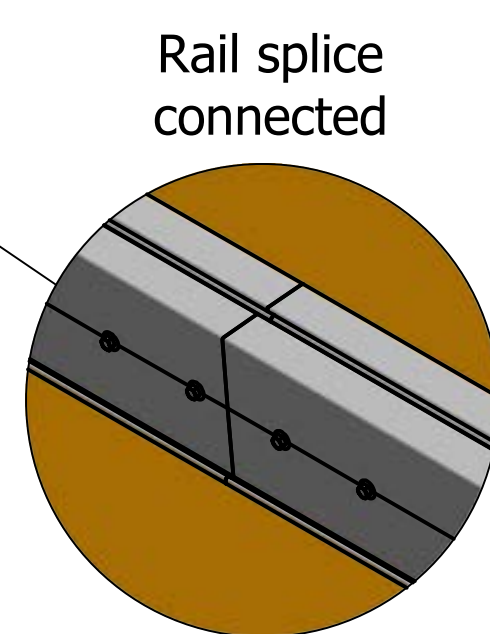
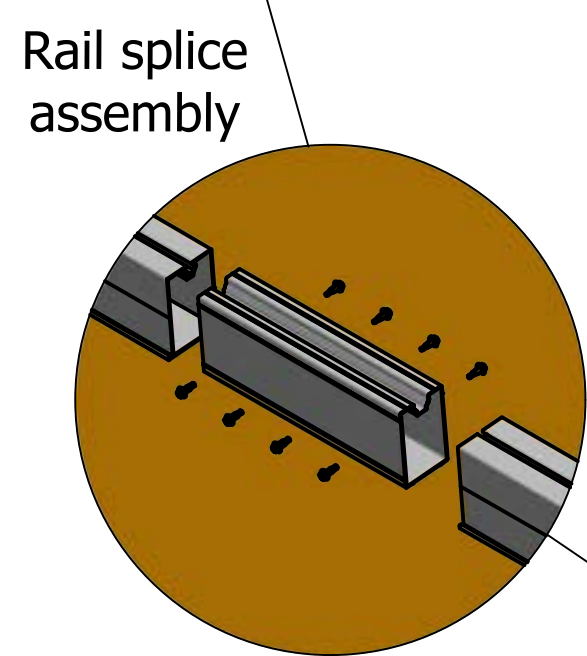
Torque Hex-Cap Screw to 18 N.m



Torque Hex Bolt to 291 N.m



Torque Hex Bolt to 291 N.m



Torque Hex-Cap Screw to 39 N.m

AD_CP_EL_3P_R2	Assembly Details - Car Port Elite 3P
C van Wyk	
Revision 2	
Aug 2022	